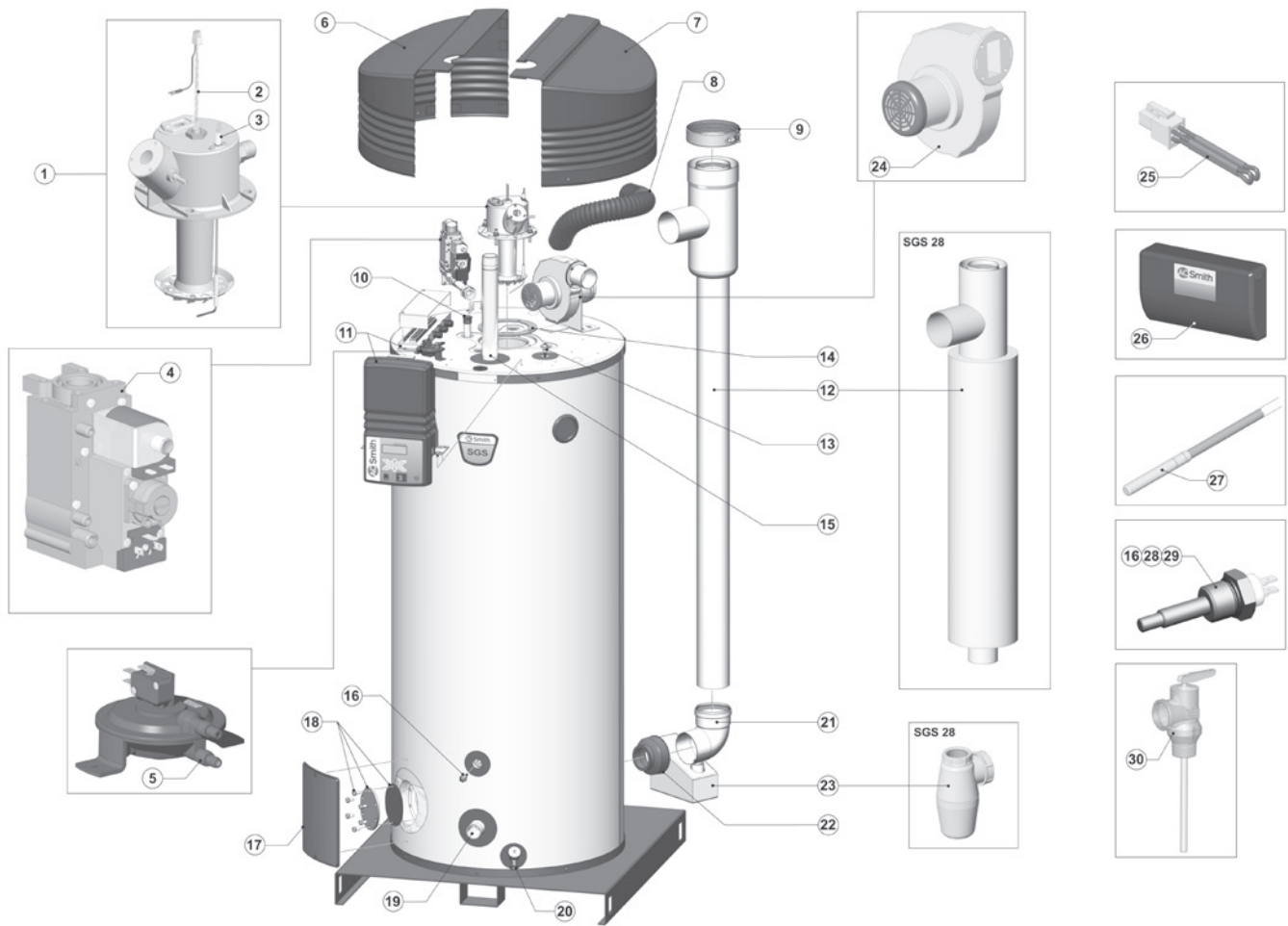


Exploded view SGS 28-60 before 14-9-'09



EVD-0046

# SGS 28-60 before 14-9-'09

## SGS parts



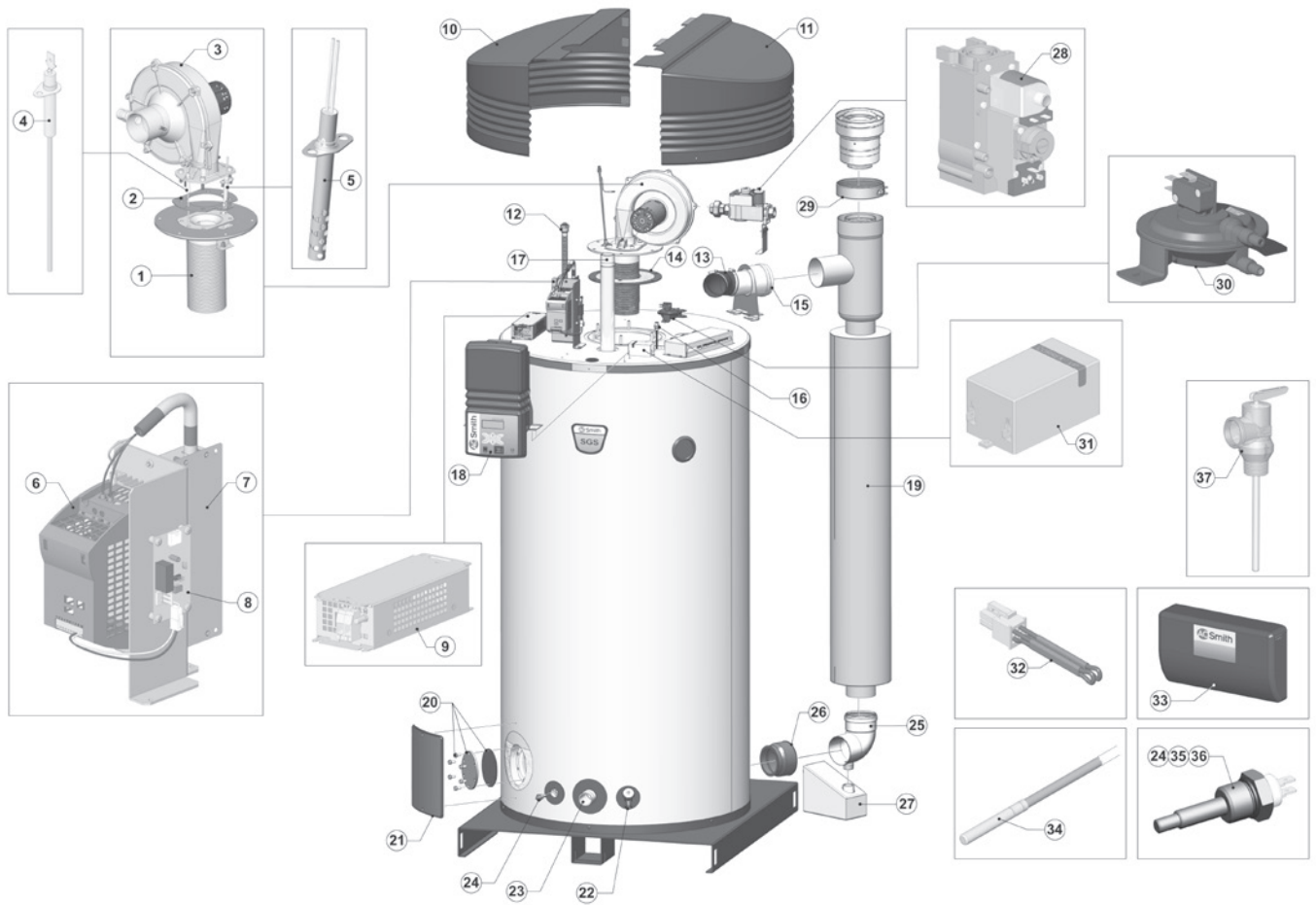
Nr	description	date	28	30	50	60
2	Glow igniter service kit		0304079(S)	0304079(S)	0304079(S)	0304079(S)
3	Flame probe		0192478(S)	0192478(S)	0192478(S)	0192478(S)
4	Gas control NAT-gas		0300903(S)	0300903(S)	0300903(S)	0300808(S)
	Gas control LP-gas		0301099(S)	0301099(S)	0301099(S)	0301099(S)
	Gas control (NAT-gas + LP-gas) (BE + FR only)		0301099(S)	0301099(S)	0301099(S)	0301100(S)
5	Differential air pressure switch	before 16-11-'08	0305003(S)	0305004(S)	0305005(S)	0305006(S)
		after 17-11-'08	0309235(S)	0305004(S)	0305005(S)	0305006(S)
8	Air supply hose		0304035(S)	0304035(S)	0304035(S)	0304035(S)
9	Clamping strip		0305027(S)	0304199(S)	0304199(S)	0304199(S)
10	Anode		0183463039(S) (4x)	0183463050(S) (4x)	0183463050(S) (4x)	0183463050(S) (4x)
	Flexible anode		0304728(S) (4x)	0304728(S) (4x)	0304728(S) (4x)	0304728(S) (4x)
11	Appliance control service kit		0308882(S)	0308882(S)	0308882(S)	0308882(S)
12	Transition piece		0304987(S)	0304012(S)	0304012(S)	0304012(S)
	Transition piece damper		0304987(S)	0304683(S)	0304683(S)	0304683(S)
13	Temperature sensor T2 (top tank)		0304469(S)	0304469(S)	0304469(S)	0304469(S)
14	Gasket burner/tank		0192331(S)	0192331(S)	0192331(S)	0192331(S)
15	Hot water outlet nipple		0304017(S)	0304017(S)	0304017(S)	0304017(S)
16	Temperature sensor T1 (bottom tank)		0308149(S)	0308149(S)	0308149(S)	0308149(S)
17	Cover plate cleaning opening		0039137002/24(S)	0039137002/24(S)	0039137002/24(S)	0039137002/24(S)
18	Cleaning opening set		0305082(S)	0305082(S)	0305082(S)	0305082(S)
19	Cold water supply nipple		0070615(S)	0070615(S)	0070615(S)	0070615(S)
20	Drain valve		0026273004(S)	0026273004(S)	0026273004(S)	0026273004(S)
21	Bend		0304986(S)	0304029(S)	0304029(S)	0304029(S)
22	Adapting socket		0304984(S)	0192636(S)	0192636(S)	0192636(S)
23	Siphon		0304988(S)	0306181(S)	0306181(S)	0306181(S)
24	Fan kit		0304104(S)	0304104(S)	0304104(S)	0304104(S)
25	Flue gas sensor		0304301(S)	0304301(S)	0304301(S)	0304301(S)
26	Solar system control service kit		0308874(S)	0308874(S)	0308874(S)	0308874(S)
27	Temperature sensor S1 (in solar collector)		0308904(S)	0308904(S)	0308904(S)	0308904(S)
28	Temperature sensor S2 (bottom storage tank)		0308149(S)	0308149(S)	0308149(S)	0308149(S)
29	Temperature sensor S3 (top storage tank)		0308149(S)	0308149(S)	0308149(S)	0308149(S)
30	T&P-valve (storage tank)		0076527004(S)	0076527004(S)	0076527004(S)	0076527004(S)
	Service kit Q/T sensor		0313621(S)	0313621(S)	0313621(S)	0313621(S)

## SGS accessories

description	date	28	30	50	60
Gas cock 3/4"		0300719(S)	0300719(S)	0300719(S)	0300719(S)
Inlet security group G1"		0070066003(S)	0070066003(S)	0070066003(S)	0070066003(S)
Expansion valve 1/2" 8 bar		0305712(S)	0305712(S)	0305712(S)	0305712(S)
T&P valve		0099383005(S)	0099383005(S)	0099383005(S)	0099383005(S)
Extension nipple T&P		0306713(S)	0306713(S)	0306713(S)	0306713(S)
Flow- and temperature sensor S4		0309285(S)	0309285(S)	0309285(S)	0309285(S)
Reducing Nipple Rp1 1/2"x 22 mm press		0309411(S)	0309411(S)	0309411(S)	0309411(S)
Reducing Nipple Rp1 1/2"x 28 mm press		0309412(S)	0309412(S)	0309412(S)	0309412(S)
Reducing Nipple Rp1 1/2"x 35 mm press		n.a.	n.a.	n.a.	n.a.
Dummy (sensor solarkit)		0309152(S)	0309152(S)	0309152(S)	0309152(S)
Isolating transformer		0306054(S)	0306054(S)	0306054(S)	0306054(S)
Power anode set		0309216(S)	0309217(S)	0309217(S)	0309217(S)

Parts that are marked yellow  
are parts that are used for maintenance.

Exploded view SGS 80-100 before 14-9-'09



EVD-0047 R0

# SGS 80-100 before 14-9-'09

## SGS parts

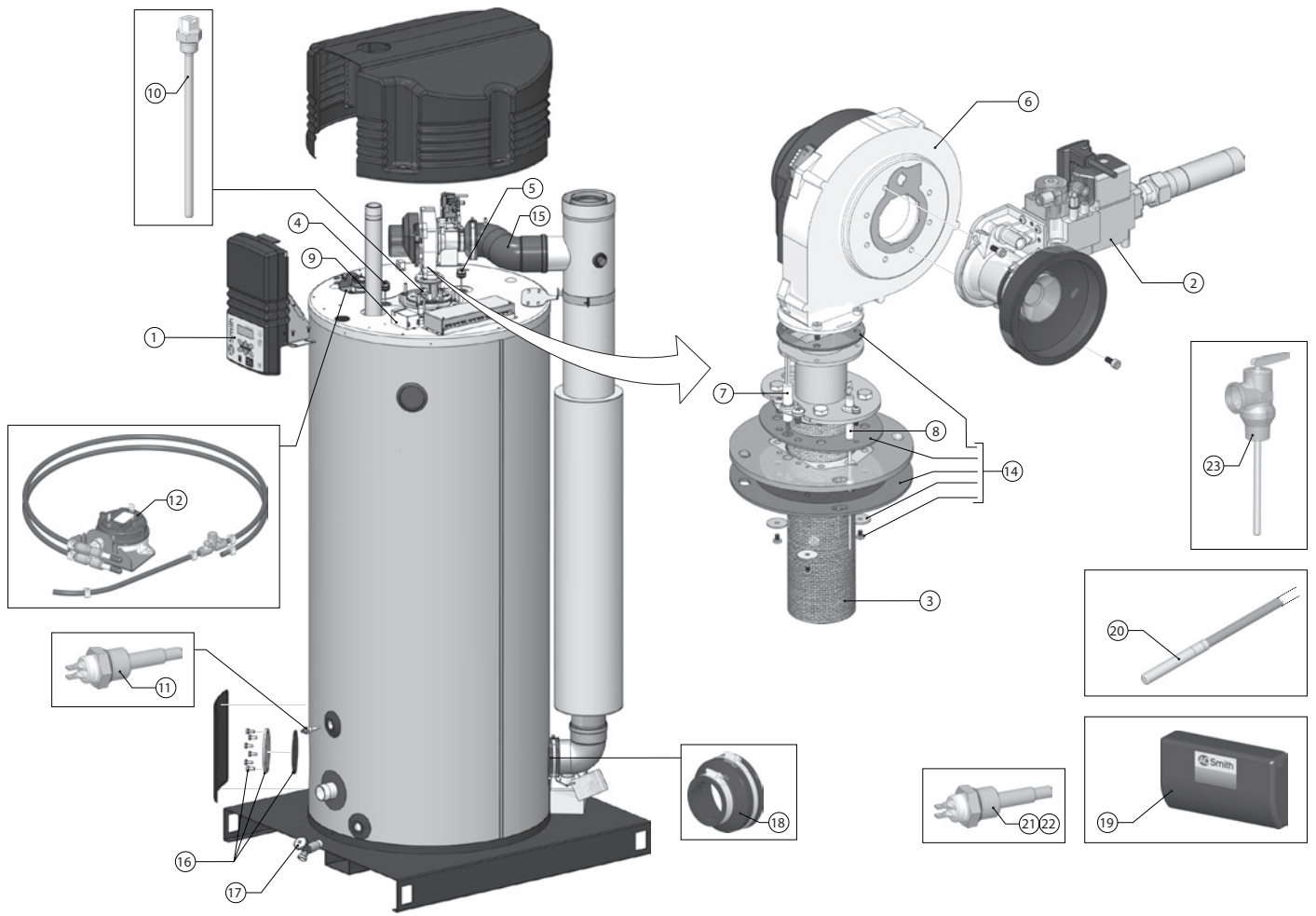


nr	Description	date	80	100
1	Burner		0197315(S)	0197315(S)
2	Gasket fan/burner		0308202(S)	0308202(S)
3	Fan		0197322(S)	0197322(S)
4	Flame probe		0194776002(S)	0194776002(S)
5	Hot surface igniter	before 18-01-'09 after 18-01-'09	0308204(S) 0309065(S)	0308204(S) 0309065(S)
6	Frequency controller		0305805(S)	0305805(S)
7	EMC-Filter		0305806(S)	0305806(S)
8	PCB interface		0307490(S)	0307490(S)
9	Line commutation choke		0306690(S)	0306690(S)
10	Left plastic top cover		n.a.	n.a.
11	Right plastic top cover		n.a.	n.a.
12	Power anode		0302757(S)	0302757(S)
13	Air supply hose		0305504(S)	0305504(S)
14	Gasket burner/tank		0308266(S)	0308266(S)
15	Chimney pipe support		n.a.	n.a.
16	Temperature sensor T2 (top tank)		0304469(S)	0304469(S)
17	Hot water outlet nipple		0304017(S)	0304017(S)
18	Appliance control service kit		0308943(S)	0308943(S)
19	Chimney pipe with damper		0304683(S)	0304683(S)
20	Cleaning opening set		0305082(S)	0305082(S)
21	Cover plate cleaning opening		0039137002/24(S)	0039137002/24(S)
22	Drain valve		0026273004(S)	0026273004(S)
23	Cold water supply nipple		0070615(S)	0070615(S)
24	Temperature sensor T1 (bottom tank)		0308149(S)	0308149(S)
25	Bend		0304029(S)	0304029(S)
26	Adapting socket		0308196(S)	0308196(S)
27	Siphon		0306181(S)	0306181(S)
28	Gas control		0306189(S)	0306189(S)
29	Clamping strip		0304199(S)	0304199(S)
30	Air pressure swith		n.a.	n.a.
31	Potentiostat		0306160(S)	0306160(S)
32	Flue gas sensor		0304301(S)	0304301(S)
33	Solar system control service kit		0308874(S)	0308874(S)
34	Temperature sensor S1 (in solar collector)		0308904(S)	0308904(S)
35	Temperature sensor S2 (bottom storage tank)		0308149(S)	0308149(S)
36	Temperature sensor S3 (top storage tank)		0308149(S)	0308149(S)
37	T&P-valve (storage tank)		0076527004(S)	0076527004(S)
	Service kit Q/T sensor		0313621(S)	0313621(S)

## SGS accessories

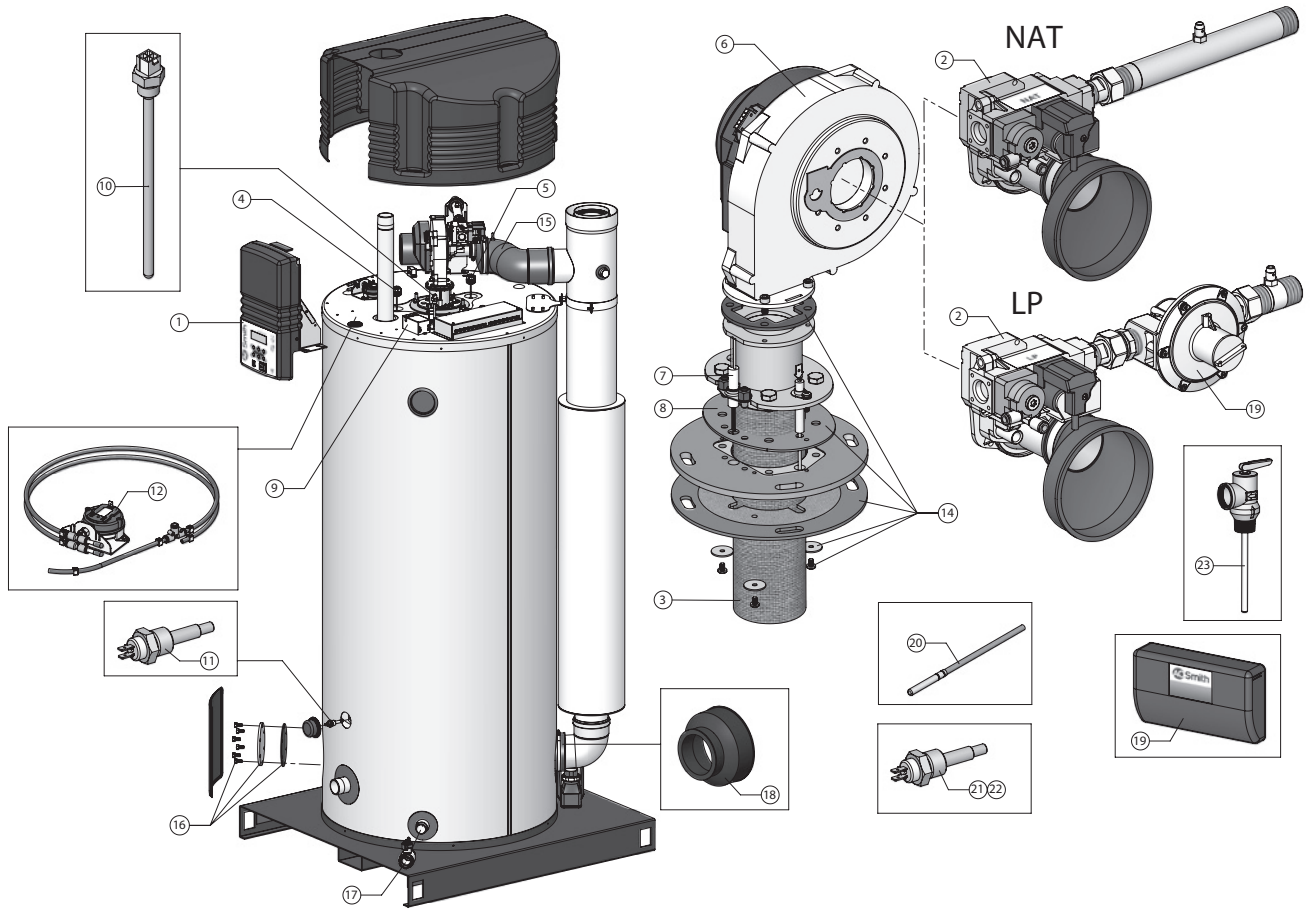
Description	date	80	100
Conversion set to LP-gas from NAT to LP and LP to LP		0308955(S)	0308957(S)
Conversion set to NAT-gas from LP to NAT and NAT to NAT		0308954(S)	0308956(S)
Isolating transformer kit		0306054(S)	0306054(S)
Potential free switch kit		0306056(S)	0306056(S)
Gas cock ¾"		0300719(S)	0300719(S)
Inlet security group G1"		0070066003(S)	0070066003(S)
Expansion valve 1/2" 8 bar		0305712(S)	0305712(S)
Reducing Nipple Rp1½"x 22 mm press		0309411(S)	0309411(S)
Reducing Nipple Rp1½"x 28 mm press		0309412(S)	0309412(S)
Reducing Nipple Rp1½"x 35 mm press		n.a.	n.a.
Flow- and temperature sensor S4		0309285(S)	0309285(S)
Dummy (sensor solarkit)		0309152(S)	0309152(S)

Exploded view SGS 28-60 from 14-9-'09 until 3-2-'13



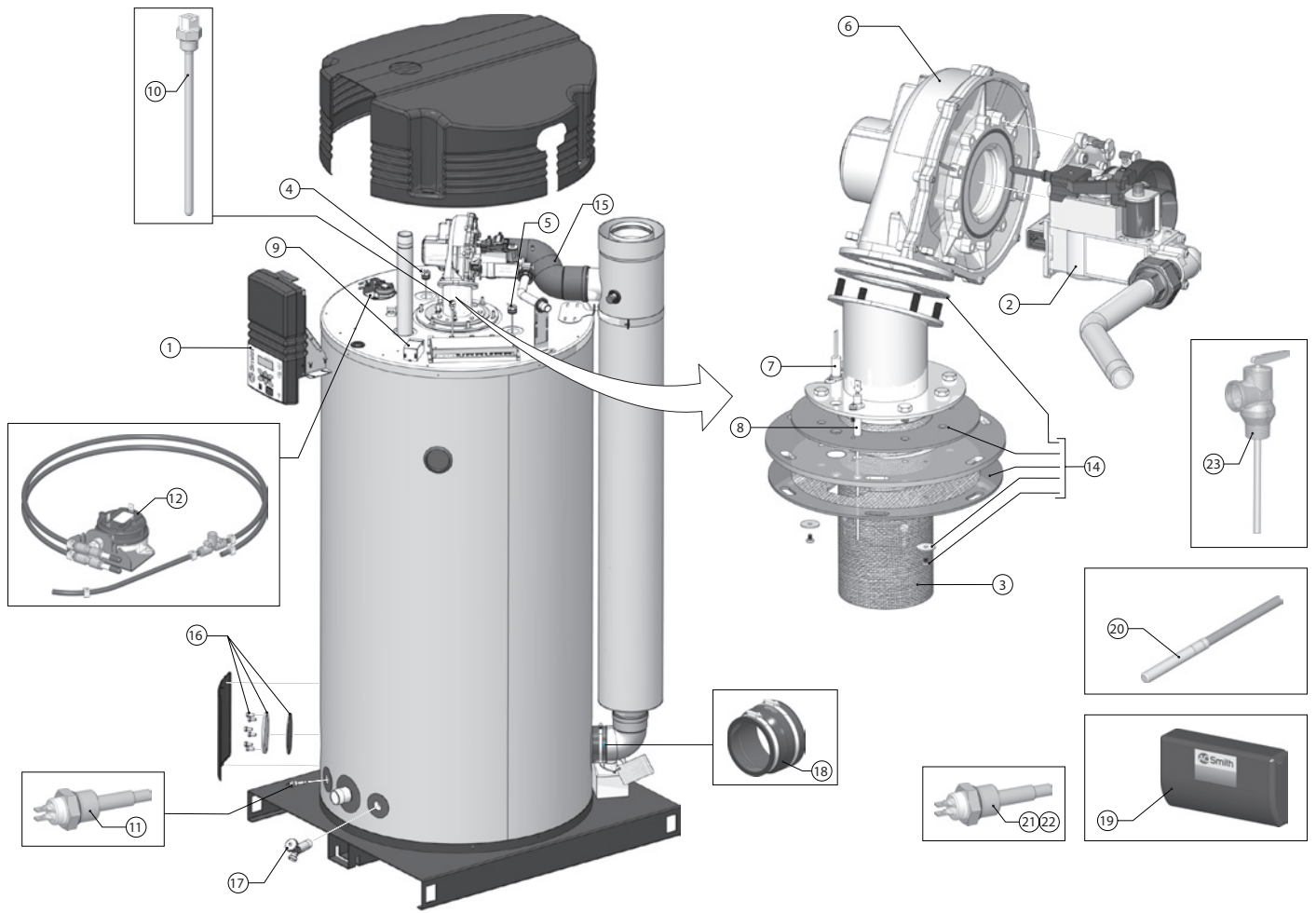
EVD-0054 R0

# Exploded view SGS 28-60 after 4-2-'13



EVD-0054 R1

# Exploded view SGS 80-120 after 14-9-'09



EVD-0055



# SGS 28-120 after 14-9-'09

## SGS parts

nr	Description	date	28	30	50	60	80	100	120
1	Control	before 28-7-'13 after 29-7-'13	n.a. 0311159(S)	n.a. 0311159(S)	n.a. 0311159(S)	n.a. 0311159(S)	n.a. 0311159(S)	n.a. 0311159(S)	n.a. 0311159(S)
2	Gas control (NAT-gas) G20	before 3-2-'13 after 4-2-'13	0310186(S) 0310155(S)	0310186(S) 0310155(S)	0310186(S) 0310155(S)	0310186(S) 0310155(S)	- -	- -	- -
		after 4-2-'13	-	-	-	-	0309167(S)	0309167(S)	0309167(S)
	Gas control (NAT-gas) G25	before 3-2-'13 after 4-2-'13	0310187(S) 0310156(S)	0310187(S) 0310156(S)	0310187(S) 0310156(S)	0310187(S) 0310156(S)	- -	- -	- -
		after 4-2-'13	-	-	-	-	0309166(S)	0309166(S)	0309166(S)
Gas control (LP-gas)	before 3-2-'13 after 4-2-'13	0310188(S) 0310157(S)	0310188(S) 0310157(S)	0310188(S) 0310157(S)	0310188(S) 0310157(S)	- -	- -	- -	
	after 4-2-'13	-	-	-	-	0309168(S)	0309168(S)	0309168(S)	
3	Burner		0309297(S)	0309297(S)	0309297(S)	0309297(S)	0309125(S)	0309125(S)	0309125(S)
4	Power anode		-	0197709(S)	0197709(S)	0197709(S)	0197709(S)	0197709(S)	0197709(S)
5	Power anode		0197710(S)	0197710(S)	0197710(S)	0197710(S)	0197710(S)	0197710(S)	0197710(S)
6	Fan		0309159(S)	0309159(S)	0309159(S)	0309159(S)	0309119(S)	0309119(S)	0309119(S)
7	Glow-igniter		0309232(S)	0309232(S)	0309232(S)	0309232(S)	0309232(S)	0309232(S)	0309232(S)
8	Flame probe		0310075(S)	0310075(S)	0310075(S)	0310075(S)	0310075(S)	0310075(S)	0310075(S)
9	Potentiostat		0306160(S)	0306160(S)	0306160(S)	0306160(S)	0306160(S)	0306160(S)	0306160(S)
10	Temperature sensor (top of tank)		0311295(S)	0311295(S)	0311295(S)	0311295(S)	0311295(S)	0311295(S)	0311295(S)
11	Temperature sensor (bottom of tank)		0308149(S)	0308149(S)	0308149(S)	0308149(S)	0308149(S)	0308149(S)	0308149(S)
12	Differential air pressure switch		0309169(S)	0309169(S)	0309169(S)	0309169(S)	0309331(S)	0309331(S)	0309331(S)
13	Harness		0309136(S)	0309136(S)	0309136(S)	0309136(S)	0309136(S)	0309136(S)	0309136(S)
14	Gaskets		0309608(S)	0309608(S)	0309608(S)	0309608(S)	0309609(S)	0309609(S)	0309609(S)
15	Air inlet		0309148(S)	0309148(S)	0309148(S)	0309148(S)	0309129(S)	0309129(S)	0309129(S)
16	Cleaning opening		0305082(S)	0305082(S)	0305082(S)	0305082(S)	0305082(S)	0305082(S)	0305082(S)
17	Drain valve	before 3-10-'10 after 4-10-'10	0026273004(S) 0308997(S)	0026273004(S) 0308997(S)	0026273004(S) 0308997(S)	0026273004(S) 0308997(S)	0026273004(S) -	0026273004(S) -	0026273004(S) -
		after 4-10-'10	-	-	-	-	-	-	-
18	Plastic adapting socket		0192636(S)	0192636(S)	0192636(S)	0192636(S)	0308196(S)	0308196(S)	0308196(S)
19	Solar system control	before 28-7-'13 after 29-7-'13	0308874(S) 0311055(S)	0308874(S) 0311055(S)	0308874(S) 0311055(S)	0308874(S) 0311055(S)	0308874(S) 0311055(S)	0308874(S) 0311055(S)	0308874(S) 0311055(S)
		after 29-7-'13	-	-	-	-	-	-	-
20	Temperature sensor (collector)		0308904(S)	0308904(S)	0308904(S)	0308904(S)	0308904(S)	0308904(S)	0308904(S)
21	Temperature sensor (heat exchanger storage tank)		0308149(S)	0308149(S)	0308149(S)	0308149(S)	0308149(S)	0308149(S)	0308149(S)
22	Temperature sensor (top of storage tank)		0308149(S)	0308149(S)	0308149(S)	0308149(S)	0308149(S)	0308149(S)	0308149(S)
23	T&P valve (in storage tank)		0076527004(S)	0076527004(S)	0076527004(S)	0076527004(S)	0076527004(S)	0076527004(S)	0076527004(S)
24	Reducing valve G30/G31	after 4-2-'13	0310180(S)	0310180(S)	0310180(S)	0310180(S)	-	-	-
25	Cover potentiostat	after 04-05-'15	0311486(S)	0311486(S)	0311486(S)	0311486(S)	0311486(S)	0311486(S)	0311486(S)
26	Bend (with siphon connection)		0304029(S)	0304029(S)	0304029(S)	0304029(S)	0304029(S)	0304029(S)	0304029(S)
27	Siphon		0306181(S)	0306181(S)	0306181(S)	0306181(S)	0306181(S)	0306181(S)	0306181(S)
-	Service kit Q/T sensor		0313621(S)	0313621(S)	0313621(S)	0313621(S)	0313621(S)	0313621(S)	0313621(S)
-	Cable gas valve		0309336(S)	0309336(S)	0309336(S)	0309336(S)	0309336(S)	0309336(S)	0309336(S)

## SGS accessories

Description	date	28	30	50	60	80	100	120
Conversion set to LP-gas from NAT to LP and LP to LP	before 03-02-'13 after 04-02-'13	0309540(S) 0310936(S)	0309540(S) 0310936(S)	0309540(S) 0310936(S)	0309540(S) 0310936(S)	- -	- -	- -
	after 04-02-'13	-	-	-	-	0309542(S)	0309542(S)	0309542(S)
Conversion set to NAT-gas from LP to NAT	before 03-02-'13 after 04-02-'13	0309541(S) 0312594(S)	0309541(S) 0312594(S)	0309541(S) 0312594(S)	0309541(S) 0312594(S)	- -	- -	- -
	after 04-02-'13	-	-	-	-	0309542(S)	0309542(S)	0309542(S)
Gas cock		0300719(S)	0300719(S)	0300719(S)	0300719(S)	0300719(S)	0300719(S)	0300719(S)
Inlet security group G 1"		0070066003(S)	0070066003(S)	0070066003(S)	0070066003(S)	0070066003(S)	0070066003(S)	0070066003(S)
Reducing Nipple (for T&P)		0306713(S)	0306713(S)	0306713(S)	0306713(S)	0306713(S)	0306713(S)	0306713(S)
Reducing Nipple Rp1½"x 22 mm press		0309411(S)	0309411(S)	0309411(S)	0309411(S)	0309411(S)	0309411(S)	0309411(S)
Reducing Nipple Rp1½"x 28 mm press		0309412(S)	0309412(S)	0309412(S)	0309412(S)	0309412(S)	0309412(S)	0309412(S)
Reducing Nipple Rp1½"x 35 mm press		n.a.	n.a.	n.a.	n.a.	n.a.	n.a.	n.a.
Combined flow & temperature sensor		0309285(S)	0309285(S)	0309285(S)	0309285(S)	0309285(S)	0309285(S)	0309285(S)
Dummy (Replacement collectors)		0309152(S)	0309152(S)	0309152(S)	0309152(S)	0309152(S)	0309152(S)	0309152(S)
Isolation transformer		0309887(S)	0309887(S)	0309887(S)	0309887(S)	0309887(S)	0309887(S)	0309887(S)
BMS interface		0310013(S)	0310013(S)	0310013(S)	0310013(S)	0310013(S)	0310013(S)	0310013(S)
Expansion valve ½" 8 bar		0305712(S)	0305712(S)	0305712(S)	0305712(S)	0305712(S)	0305712(S)	0305712(S)
Ext. Cable Collector Sensor (5 mtr)		0309197(S)	0309197(S)	0309197(S)	0309197(S)	0309197(S)	0309197(S)	0309197(S)
T&P Valve 1" 150 psi NO WRAS		0099383005(S)	0099383005(S)	0099383005(S)	0099383005(S)	0099383005(S)	0099383005(S)	0099383005(S)
Inlet security group DN40		0309927(S)	0309927(S)	0309927(S)	0309927(S)	0309927(S)	0309927(S)	0309927(S)
Remote display		0309999(S)	0309999(S)	0309999(S)	0309999(S)	0309999(S)	0309999(S)	0309999(S)

Parts that are marked yellow are parts that are used for maintenance.