

UB onderdelen



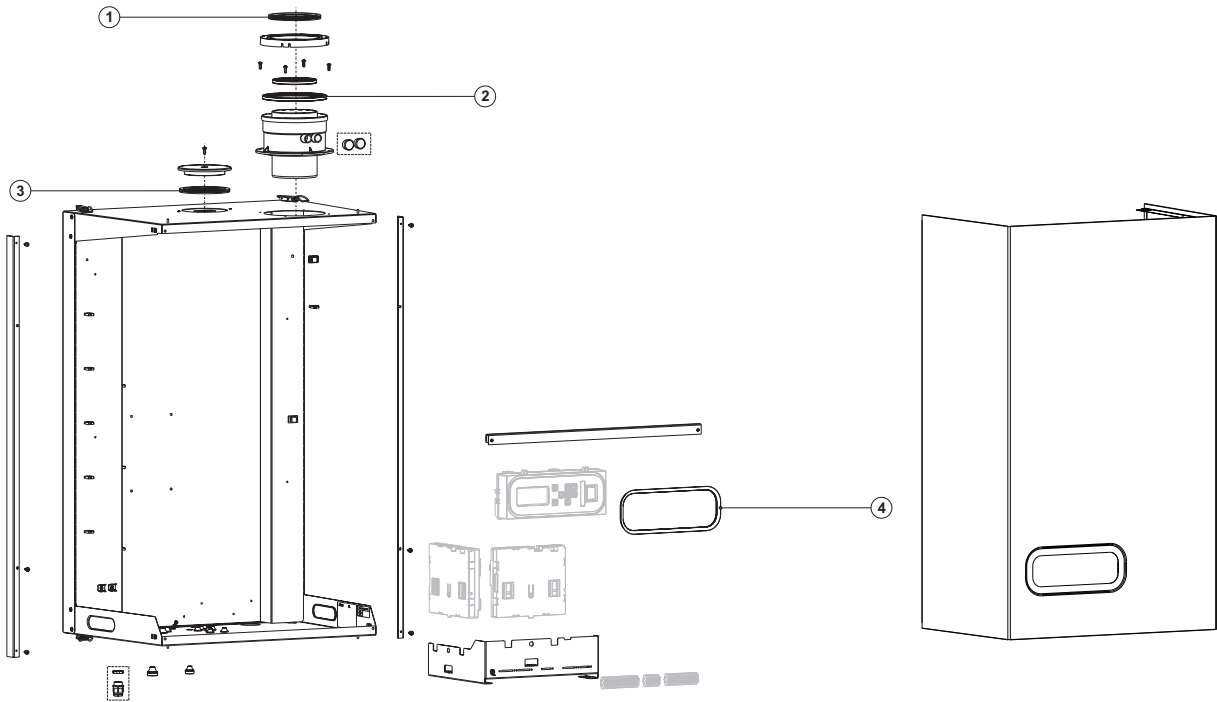
| Nr. | Omschrijving | UB 70 (1× HEX 4) | | UB 110 (1× HEX 2 en 1× HEX 4) | | UB 140 (2× HEX 4) | |
|--|--|---------------------|------------|----------------------------------|------------|----------------------|------------|
| | | datum | Art. nr. | datum | Art. nr. | datum | Art. nr. |
| Casing | | | | | | | |
| 1 | Pakking (Kap luchtinlaat) | | 0310828(S) | | 0310828(S) | | 0310828(S) |
| 2 | Pakking (Luchtinlaat pijp) | | 0310530(S) | | 0310530(S) | | 0310530(S) |
| 3 | Pakking (Kap luchtinlaat) | | 0310829(S) | | 0310829(S) | | 0310829(S) |
| 4 | Pakking (Display-Jacket) | | 0310830(S) | | 0310830(S) | | 0310830(S) |
| Warmtewisselaar | | | | | | | |
| 5 | Terugslagklep | | 0310995(S) | | 0310995(S) | | 0310995(S) |
| 6 | Pakking (Venturi-Ventilator) | | 0310454(S) | | 0310454(S) | | 0310454(S) |
| 7 | Venturi | HEX 2 | - | | 0310429(S) | | - |
| | | HEX 4 | 0310430(S) | | 0310430(S) | | 0310430(S) |
| 8 | Pakking (Demper-Venturi) | | 0310403(S) | | 0310403(S) | | 0310403(S) |
| 9 | Demper | HEX 2 | - | | 0310453(S) | | - |
| | | HEX 4 | 0310451(S) | | 0310451(S) | | 0310451(S) |
| 10 | Pakking (Venturi-Gas Besturing) | | 0310458(S) | | 0310458(S) | | 0310458(S) |
| 11 | Kap Warmtewisselaar | HEX 2 | - | | 0310537(S) | | - |
| | | HEX 4 | 0310533(S) | | 0310533(S) | | 0310533(S) |
| 12 | Pakking (kap warmtewisselaar) | HEX 2 | - | | 0310499(S) | | - |
| | | HEX 4 | 0310500(S) | | 0310500(S) | | 0310500(S) |
| 13 | Pakking (Branderkap warmtewisselaar) | HEX 2 | - | | 0310497(S) | | - |
| | | HEX 4 | 0310498(S) | | 0310498(S) | | 0310498(S) |
| 14 | Brander | HEX 2 ALL | - | | 0310494(S) | | - |
| | | HEX 4 NAT | 0310534(S) | | 0310534(S) | | 0310534(S) |
| | LPG Brander set | | 0312148(S) | | 0312149(S) | | 0312150(S) |
| 15 | Isolatie warmtewisselaar | | 0310505(S) | | 0310505(S) | | 0310505(S) |
| 16 | Klem kap warmtewisselaar | | 0310409(S) | | 0310409(S) | | 0310409(S) |
| 17 | Pakking (Ionisatie/ontsteking-warmtewisselaar) | | 0310489(S) | | 0310489(S) | | 0310489(S) |
| 18 | Warmtewisselaar | HEX 2 | - | | 0310813(S) | | - |
| | | HEX 4 | 0310814(S) | | 0310814(S) | | 0310814(S) |
| 19 | Klem Condensatie bakje | | 0310408(S) | | 0310408(S) | | 0310408(S) |
| 20 | Pakking (Condensatie-bakje Warmtewisselaar) | HEX 2 | - | | 0310496(S) | | - |
| | | HEX 4 | 0310502(S) | | 0310502(S) | | 0310502(S) |
| 21 | Condensopvangbak | HEX 2 | 0310521(S) | | 0310521(S) | | 0310521(S) |
| | | HEX 4 | - | | 0310520(S) | | - |
| 22 | Automatische Lucht uitlaat | | 0310815(S) | | 0310815(S) | | 0310815(S) |
| 23 | Pakking (Lucht uitlaat-warmtewisselaar) | | 0310816(S) | | 0310816(S) | | 0310816(S) |
| 24 | Pakking (Rookgasafvoer) | | 0310525(S) | | 0310525(S) | | 0310525(S) |
| 25 | Pakking (Rookgasafvoer) | | 0310529(S) | | 0310529(S) | | 0310529(S) |
| 26 | Pakking (Rookgasafvoer condensafvoer) | | 0310528(S) | | 0310528(S) | | 0310528(S) |
| 27 | Onstekingselektrode | | 0310491(S) | | 0310491(S) | | 0310491(S) |
| 28 | Water druk sensor | | 0310485(S) | | 0310485(S) | | 0310485(S) |
| Tubing | | | | | | | |
| 29 | O-ring (Gas pijp-gas besturing) | | 0310831(S) | | 0310831(S) | | 0310831(S) |
| 30 | Syfon (Intern) | | 0310524(S) | | 0310524(S) | | 0310524(S) |
| 31 | Syfon (Extern) | | 0310535(S) | | 0310535(S) | | 0310535(S) |
| 32 | O-ring (Aanvoer/retour-warmtewisselaar) | | 0310410(S) | | 0310410(S) | | 0310410(S) |
| 33 | O-ring (Aanvoer/retour aansluiting naar warmtewisselaar) | | 0310824(S) | | 0310824(S) | | 0310824(S) |
| 34 | Pakking Pomp | | 0310838(S) | | 0310838(S) | | 0310838(S) |
| Besturing en elektrische onderdelen | | | | | | | |
| 35 | Communicatie kabel display-besturing | | 0310376(S) | | 0310376(S) | | 0310376(S) |
| 36 | Display | | 0310532(S) | | 0310532(S) | | 0310532(S) |
| 37 | Zekering | | 0310870(S) | | 0310870(S) | | 0310870(S) |
| 38 | Aan/uit knop | | 0310522(S) | | 0310522(S) | | 0310522(S) |
| 39 | Kabelboom | | 0310536(S) | | 0310536(S) | | 0310536(S) |
| 40 | Besturing | | 0310531(S) | | 0310531(S) | | 0310531(S) |
| 41 | Ventilator | HEX 2 | - | | 0310871(S) | | - |
| | | HEX 4 | 0310517(S) | | 0310517(S) | | 0310517(S) |
| 42 | Ontstekingselektrode met pakking | | 0310490(S) | | 0310490(S) | | 0310490(S) |
| 43 | Aanvoer sensor | | 0310513(S) | | 0310513(S) | | 0310513(S) |
| 44 | Gas Besturing | | 0310515(S) | | 0310515(S) | | 0310515(S) |
| 45 | Ontstekingsstrafo | | 0310523(S) | | 0310523(S) | | 0310523(S) |
| 46 | Water druk sensor | | 0310485(S) | | 0310485(S) | | 0310485(S) |
| 47 | NTC Sensor | | 0310404(S) | | 0310404(S) | | 0310404(S) |
| 48 | Pomp | HEX 2 | - | | 0310807(S) | | - |
| | | HEX 4 | 0310808(S) | | 0310808(S) | | 0310808(S) |
| | | 25-60 | - | | 0310526(S) | | - |
| | Pump up | 25-80 | 0310527(S) | | 0310527(S) | | 0310527(S) |
| 49 | Ontsteking kabel set | | 0310516(S) | | 0310516(S) | | 0310516(S) |
| | Pakking set (water en gas) | | 0311317(S) | | 0311317(S) | | 0311317(S) |

UB

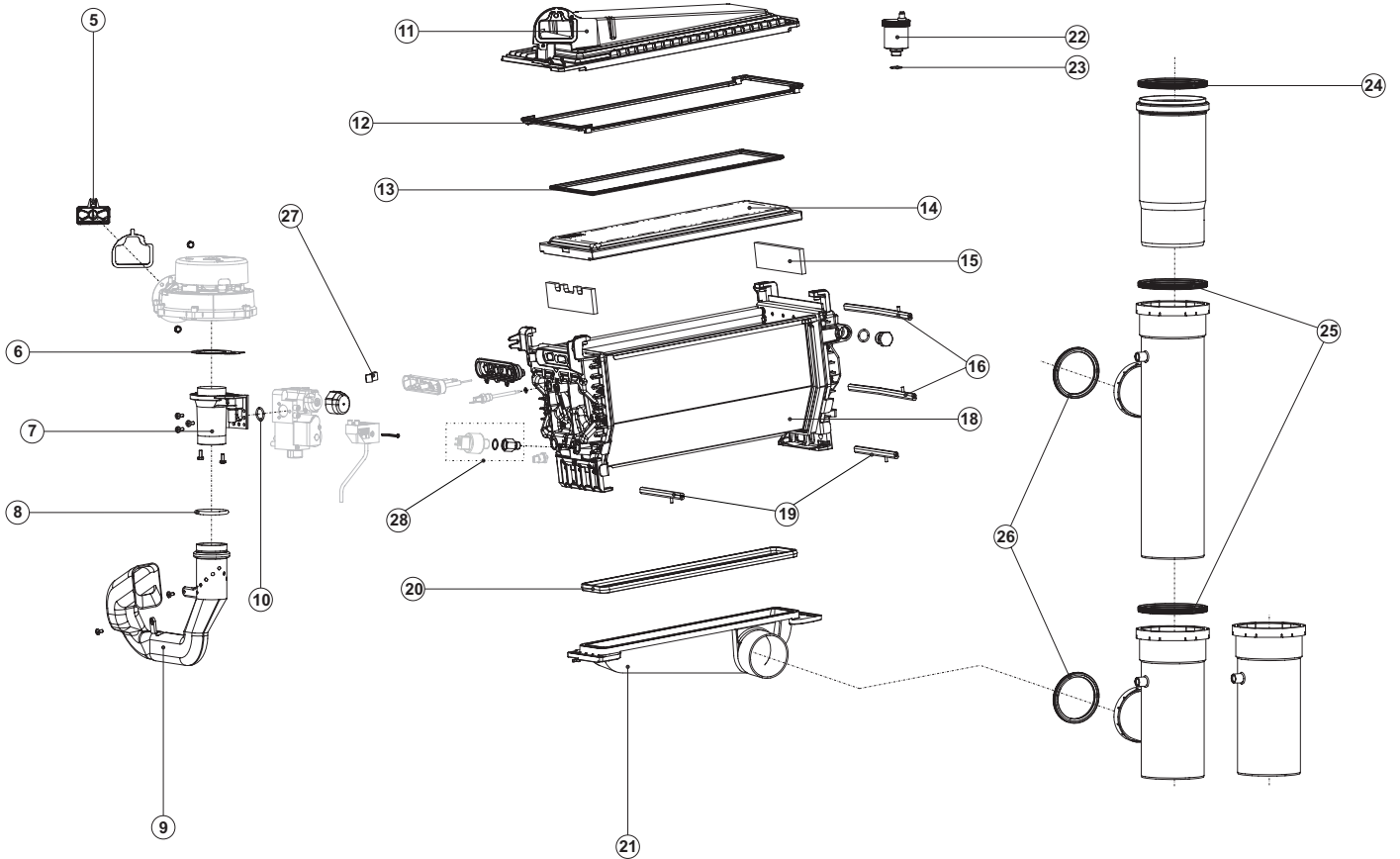
UB Ombouw sets

| Omschrijving | UB 70 (1× HEX 4) | | | UB 110 (1× HEX 2 en 1× HEX 4) | | | UB 140 (2× HEX 4) | | |
|--|---------------------|-----|------------|----------------------------------|-----|------------|----------------------|-----|------------|
| | Van | Tot | Art. nr. | Van | Tot | Art. nr. | Van | Tot | Art. nr. |
| Ombouw set naar LP gas Van NAT naar LP | | | 0310342(S) | | | 0310343(S) | | | 0310344(S) |
| Ombouw set naar NAT gas Van LP naar NAT | | | 0310804(S) | | | 0310805(S) | | | 0310806(S) |

Exploded view UB

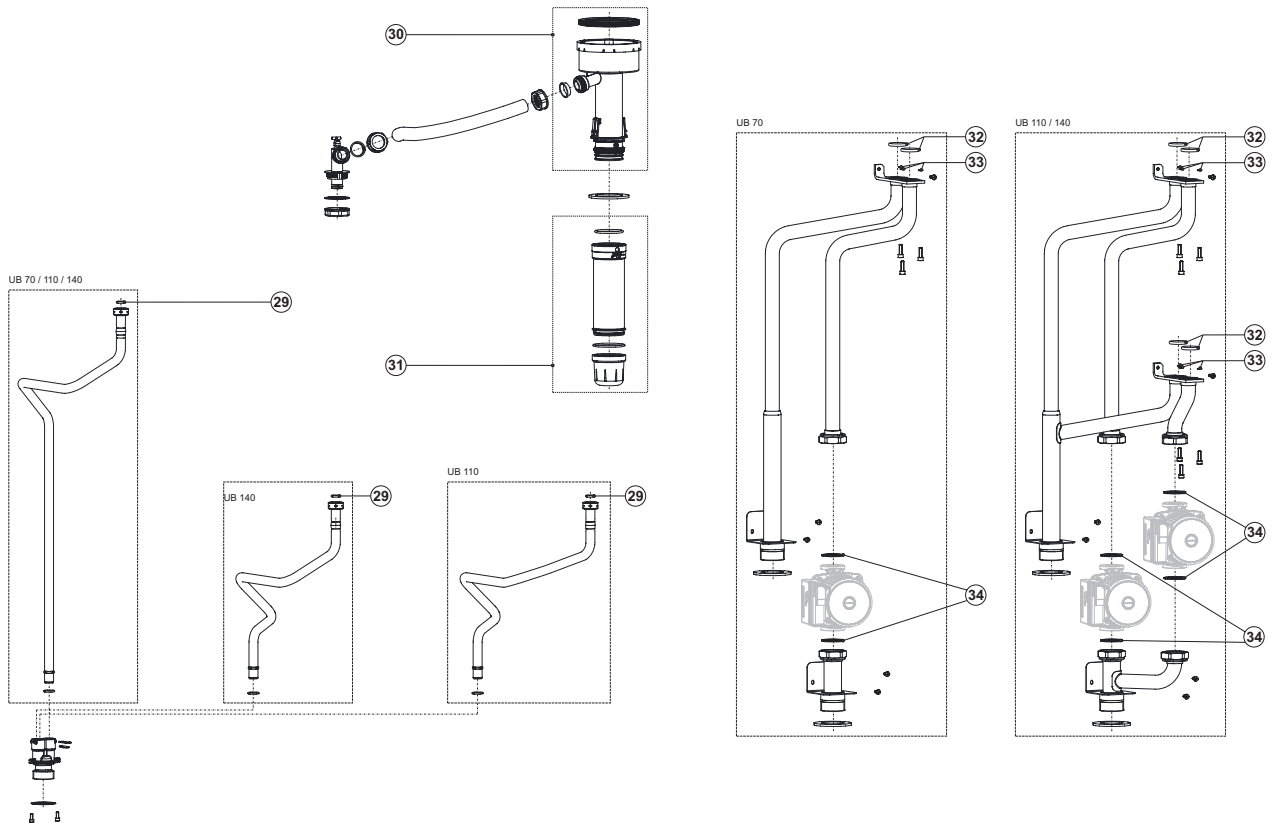


EVD-0088A

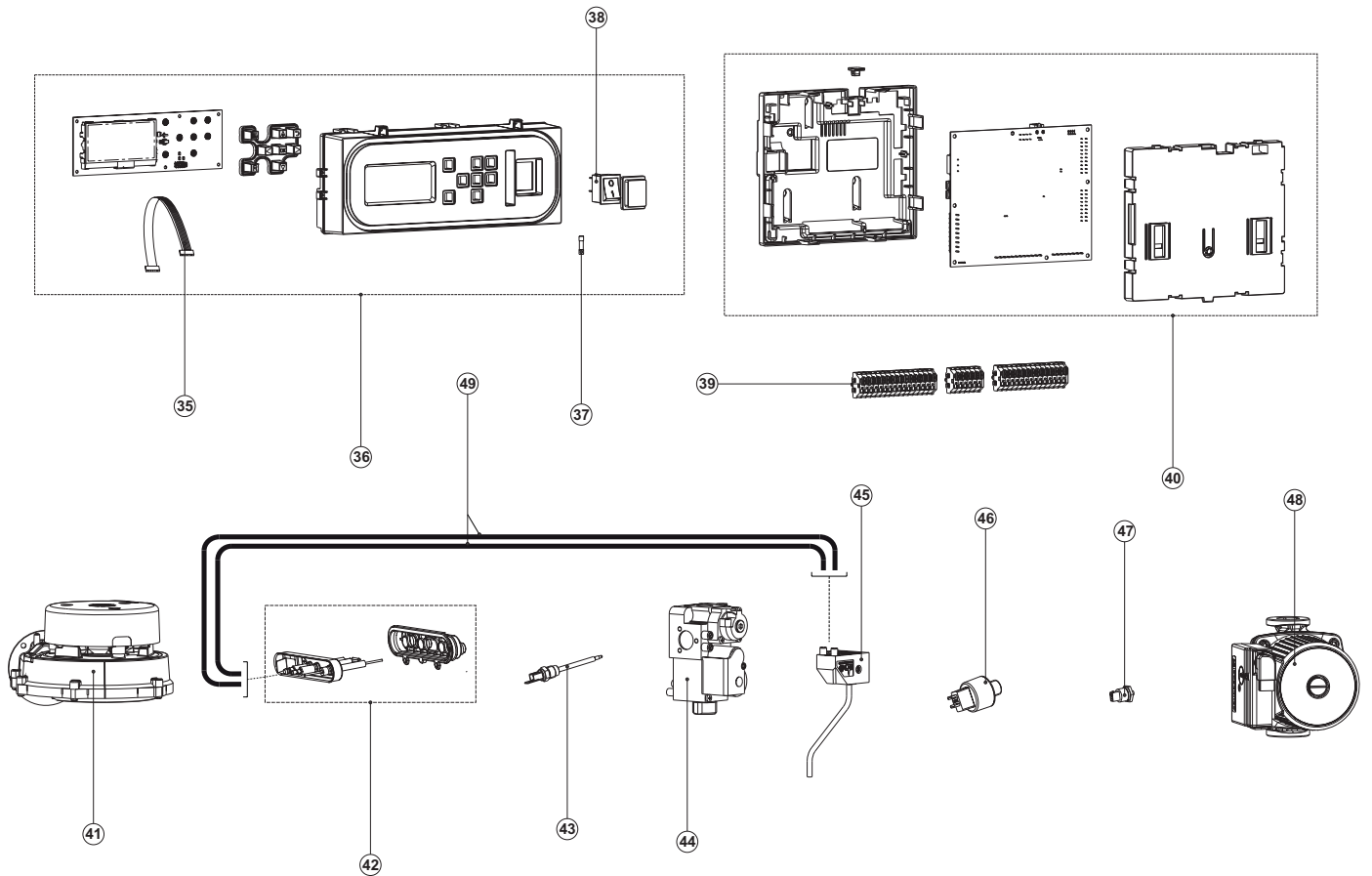


EVD-0088B

Exploded view UB



EVD-0088C



EVD-0088D