

DRE + exploded view DRE

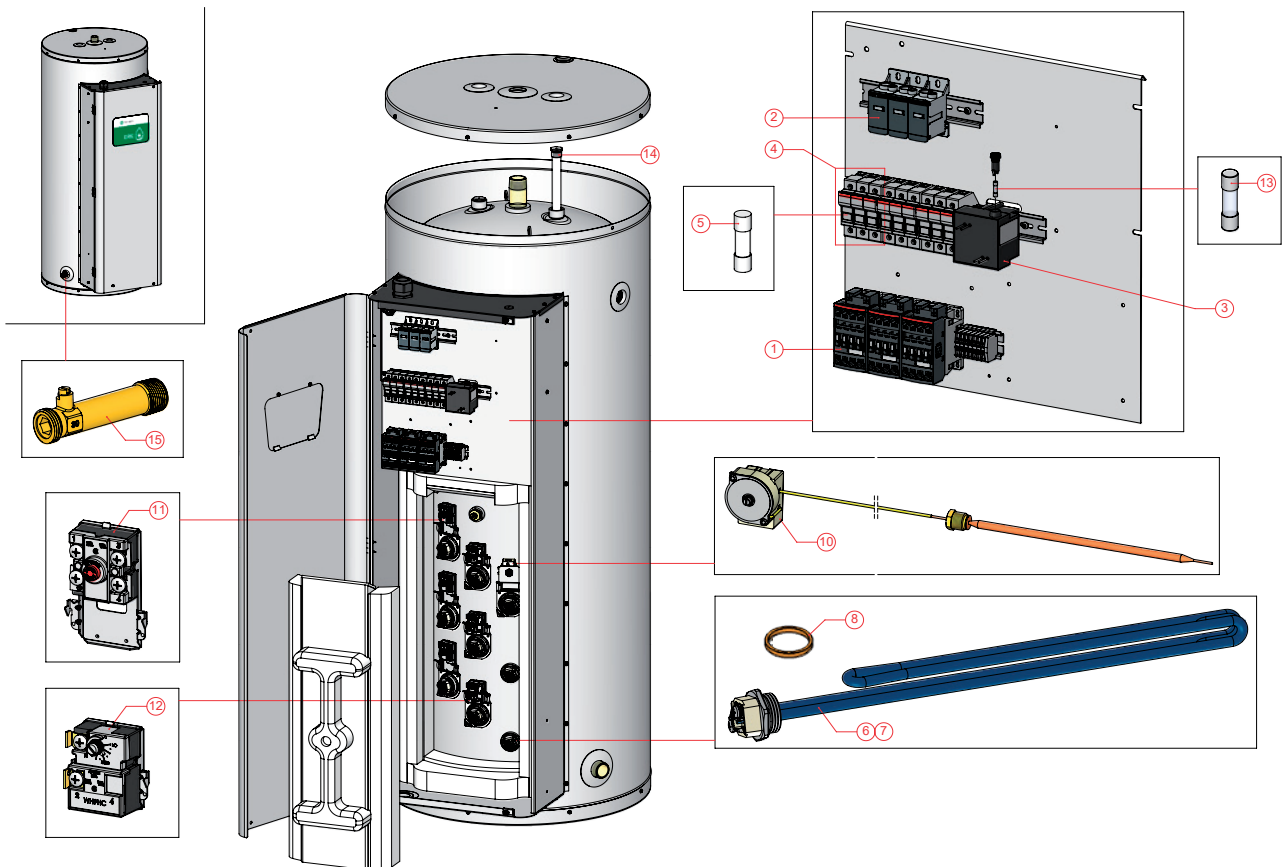
DRE parts



No	Description	52			80			
		9 kW	18 kW	36 kW	9 kW	18 kW	36 kW	54 kW
1	Relay	0313780(S)	0313780(S)	0313780(S)	0313780(S)	0313780(S)	0313780(S)	0313780(S)
2	Therminal Block	0313781(S)	0313781(S)	0313781(S)	0313781(S)	0313781(S)	0313781(S)	0313781(S)
3	Transformer 400-28VAC	0313782(S)	0313782(S)	0313782(S)	0313782(S)	0313782(S)	0313782(S)	0313782(S)
4	Fuse Holder	0313783(S)	0313783(S)	0313783(S)	0313783(S)	0313783(S)	0313783(S)	0313783(S)
5	Element Fuse (gG 400VAC/32A)	0310104(S)	0310104(S)	0310104(S)	0310104(S)	0310104(S)	0310104(S)	0310104(S)
6	Electrical Heating Element (3 kW)	0313790(S)			0313790(S)			
7	Electrical Heating Element (6 kW)		0313791(S)	0313791(S)		0313791(S)	0313791(S)	0313791(S)
8	Gasket Element	0042537(S)	0042537(S)	0042537(S)	0042537(S)	0042537(S)	0042537(S)	0042537(S)
9	Cable Assy	0313932(S)	0313932(S)	0313933(S)	0313932(S)	0313932(S)	0313933(S)	0313934(S)
10	Main Safety Thermostat	0313784(S)	0313784(S)	0313784(S)	0313784(S)	0313784(S)	0313784(S)	0313784(S)
11	Row Safety Thermostat	0313938(S)	0313938(S)	0313938(S)	0313938(S)	0313938(S)	0313938(S)	0313938(S)
12	Row Control Thermostat	0313981(S)	0313981(S)	0313981(S)	0313981(S)	0313981(S)	0313981(S)	0313981(S)
13	Transformer Fuse (T1AL250)	0310099(S)	0310099(S)	0310099(S)	0310099(S)	0310099(S)	0310099(S)	0310099(S)
14	Anode Magnesium	2 x 0313623(S)	2 x 0313623(S)	2 x 0313623(S)	2 x 0313623(S)	2 x 0313623(S)	2 x 0313623(S)	2 x 0313623(S)
15	Drain Valve	0313939(S)	0313939(S)	0313939(S)	0313939(S)	0313939(S)	0313939(S)	0313939(S)

DRE accessories

Description	52			80			
	9 kW	18 kW	36 kW	9 kW	18 kW	36 kW	54 kW
T&P valve	0076527(S)	0076527002(S)	0076527002(S)	0076527002(S)	0076527002(S)	0076527002(S)	0076527002(S)
Inlet Security Set	0309926(S)	0309926(S)	0309926(S)	0309926(S)	0309926(S)	0309926(S)	0309926(S)



EVD-0119

Parts that are marked yellow are parts that are used for maintenance.

Please check the serial number to determine the production date:

172406210302002

year week