

ITE

Indirect calorifier-solar

ITE - 400/500/600/750/1000

- Indirect water heater (calorifier) for solar applications
- Single-wall spiral heat exchanger
- PermaGlas Ultra Coat second-generation glass coating technology prevents corrosion
- Insulated ring base
- Insulated access cover for comprehensive waterside maintenance
- Replaceable magnesium anode
- Options: Flexible magnesium anode for installation in confined areas
- Powered anode for reduced maintenance requirements
- Temperature and pressure valve with stainless steel spring set to 95°C and a maximum water pressure of 1(0 bar) 1000 kPa
- Analogue temperature gauge (0-120°C)
- Electric element heat packs (3 - 36 kW)
- Destratification pump kit



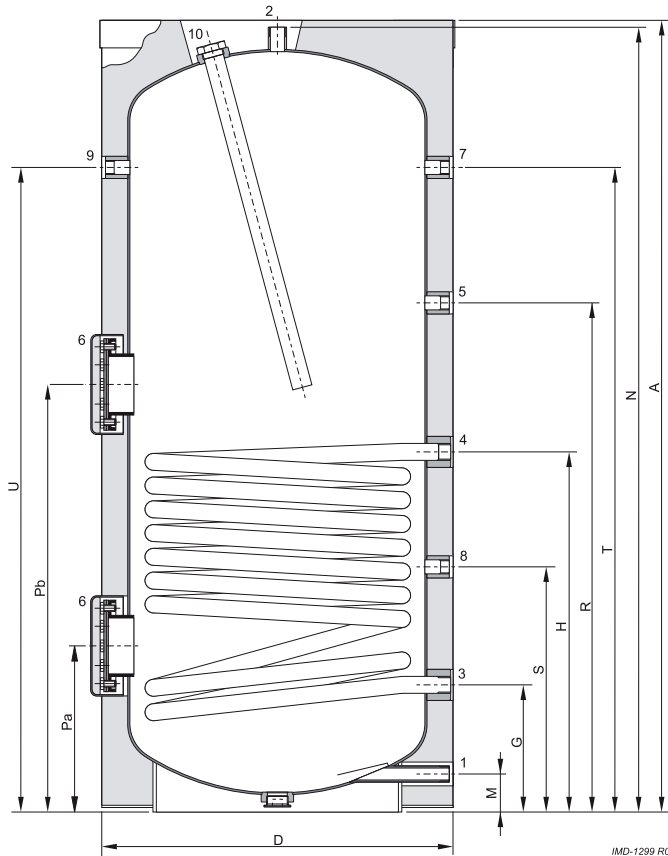
Technical specifications

		ITE 400	ITE 500	ITE 600	ITE 750	ITE 1000
Technical data						
Output coil	kW	52	68	72	80	87
Surface area coil	m ²	1.64	2.13	2.39	2.66	2.89
Water capacity coil	l	9.9	12.8	20.3	22.3	24.6
Flow rate coil (80-60°C)	l/h	2236	2924	3096	3440	3741
Pressure drop coil	mbar	78	166	37	50	61
Maximum working pressure tank	kPa (bar)	1000 (10)				
Maximum working pressure coil	kPa (bar)	1600 (16)				
Maximum operating temperature tank	°C	95				
Maximum operating temperature coil	°C	110				
Standby loss	kWh/24h	1.60	1.88	1.85	2.03	2.19
Draw-off capacity						
Tcold = 10°C/Tset = 80°C						
Storage capacity	l	389	478	652	734	1024
30 min. ΔT=44°C	l	952	1206	1463	1638	2068
60 min. ΔT=44°C	l	1461	1871	2167	2420	2919
90 min. ΔT=44°C	l	1969	2536	2870	3201	3769
120 min. ΔT=44°C	l	2477	3200	3574	3983	4619
Continuous ΔT=44°C	l/h	1016	1329	1407	1564	1700
Heating-up time ΔT=44°C	min.	23	22	28	28	36
30 min. ΔT=50°C	l	838	1062	1288	1441	1820
60 min. ΔT=50°C	l	1285	1646	1907	2129	2568
90 min. ΔT=50°C	l	1733	2231	2526	2817	3317
120 min. ΔT=50°C	l	2180	2816	3145	3505	4065
Continuous ΔT=50°C	l/h	894	1170	1238	1376	1496
Heating-up time ΔT=50°C	min.	26	25	32	32	41
30 min. ΔT=55°C	l	762	965	1170	1310	1655
60 min. ΔT=55°C	l	1169	1497	1733	1936	2335
90 min. ΔT=55°C	l	1575	2028	2296	2561	3015
120 min. ΔT=55°C	l	1982	2560	2859	3187	3695
Continuous ΔT=55°C	l/h	813	1063	1126	1251	1360
Heating-up time ΔT=55°C	min.	29	27	35	35	45
Shipping data						
Weight empty	kg	131	179	229	237	314
Maximum weight	kg	520	657	881	971	1338
Weight incl. packaging	kg	153	201	251	260	348
Width packaging	mm	780	780	870	870	1010
Height packaging	mm	1850	2150	1930	2150	2100
Depth packaging	mm	780	780	870	870	1010

Ecodesign specifications

		ITE 400	ITE 500	ITE 600	ITE 750	ITE 1000
Energy labeling						
Load Profil	-	C	C	-	-	-
Standby loss	W	100	104	126	126	146

Dimensions

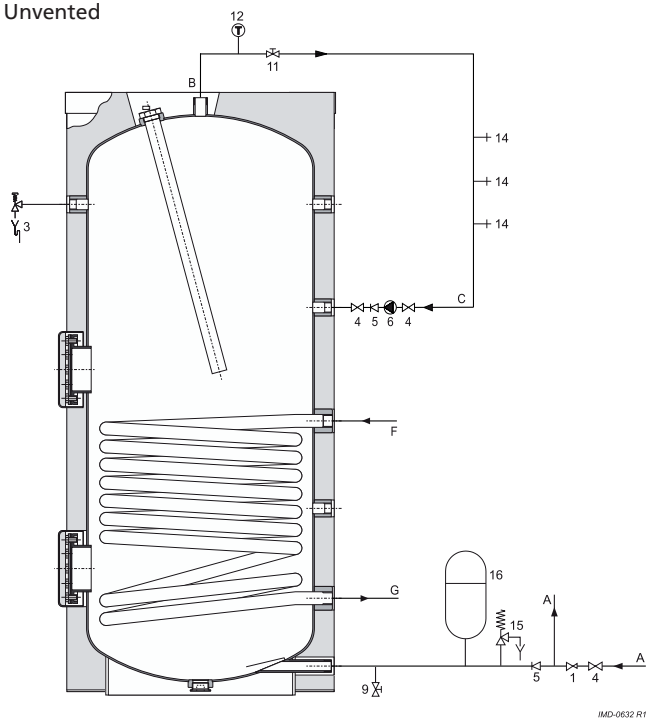


	ITE 400	ITE 500	ITE 600	ITE 750	ITE 1000	
A Total height	mm 1710	2045	1840	2035	2005	
D Diameter (without insulation)	mm 600	600	750	750	900	
Diameter (with insulation)	mm 740	760	910	930	1100	
G Height heat exchanger outlet	mm 260	260	310	310	350	
H Height heat exchanger inlet	mm 775	915	910	970	945	
M Height cold water inlet	mm 70	70	85	85	95	
N Height warm water outlet	mm 1655	1995	1805	2000	1965	
Pa Height inspection opening	mm 330	330	420	420	450	
Pb Height inspection opening	mm 900	1030	1070	1120	1090	
R Height connection circulation	mm 1100	1290	1240	1300	1400	
S Height immersion well	mm 500	500	655	655	705	
T Height T&P connection	mm 1365	1700	1480	1675	1605	
U Height connection top tank temp. sensor	mm 1365	1700	1480	1675	1605	
1 Cold water inlet	-	R 1½"	R 1½"	R 1½"	R 1½"	R 1½"
2 Warm water outlet	-	R 1½"	R 1½"	R 1½"	R 1½"	R 1½"
3 Heat exchanger outlet	-	Rp 1"	Rp 1"	Rp 1¼"	Rp 1¼"	Rp 1¼"
4 Heat exchanger inlet	-	Rp 1"	Rp 1"	Rp 1¼"	Rp 1¼"	Rp 1¼"
5 Connection circulation	-	Rp ¾"	Rp ¾"	Rp ¾"	Rp ¾"	Rp ¾"
6 Diameter inspection opening	mm 115	115	180	180	180	
7 T&P connection	-	1"-11.5 1"	1"-11.5 1"	1"-11.5 1"	1"-11.5 1"	1"-11.5 1"
8 Immersion well	-	Rp ¾"	Rp ¾"	Rp ¾"	Rp ¾"	Rp ¾"
9 Connection top tank temp. sensor	-	Rp ¾"	Rp ¾"	Rp ¾"	Rp ¾"	Rp ¾"
10 Anode connection	-	Rp 1¼"	Rp 1¼"	Rp 1¼"	Rp 1¼"	Rp 1¼"

Dimensions for ITE 1500-3000 available upon request.

Installation diagrams

Unvented



- 1 Pressure reducing valve
- 3 T&P valve
- 4 Stop valve
- 5 Non-return valve
- 6 Circulation pump
- 9 Drain valve
- 11 Service valve
- 12 Temperature meter
- 14 Hot water tap
- 15 Expansion valve
- 16 Expansion vessel
- 17 Three way valve
- 18 Water cistern
- 19 Float valve

- A Cold water supply
- B Hot water outlet
- C Return circulation
- F Primary flow
- G Primary return
- E Over flow pipe
- H Expansion pipe

In the instruction manual you will find all the necessary information regarding connection, installation and maintenance of the product; including information on the electrical connections.

Information regarding the recycling or disposal of the product can also be found in the manual. This manual is delivered with the appliance and can also be found on our website; www.aosmith.co.uk.