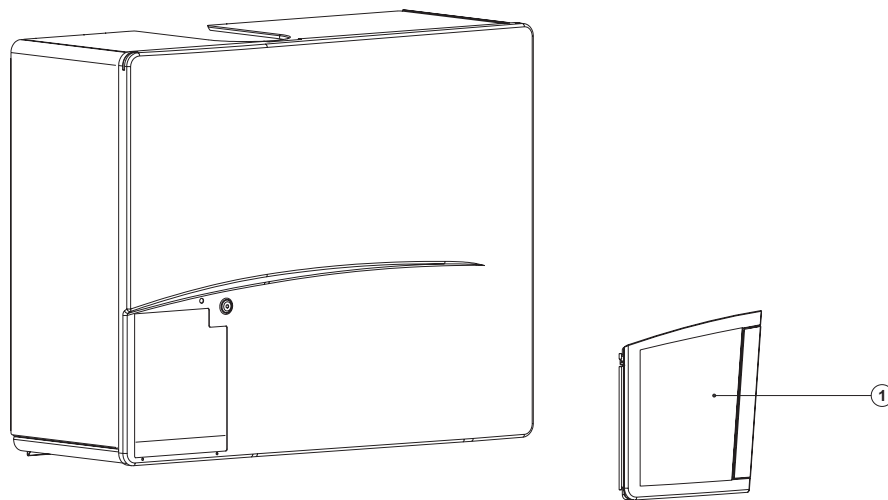
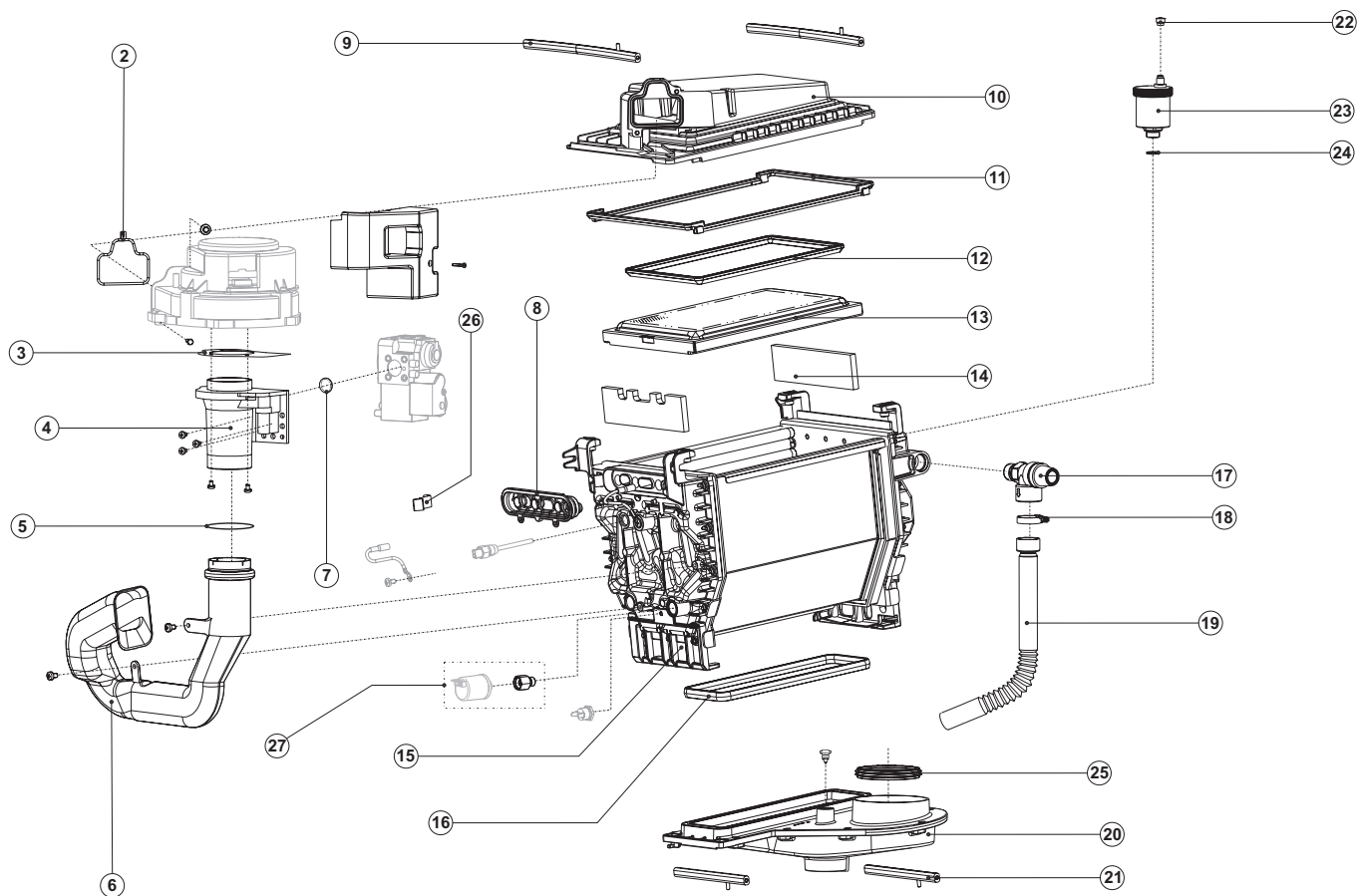


Exploded view EB

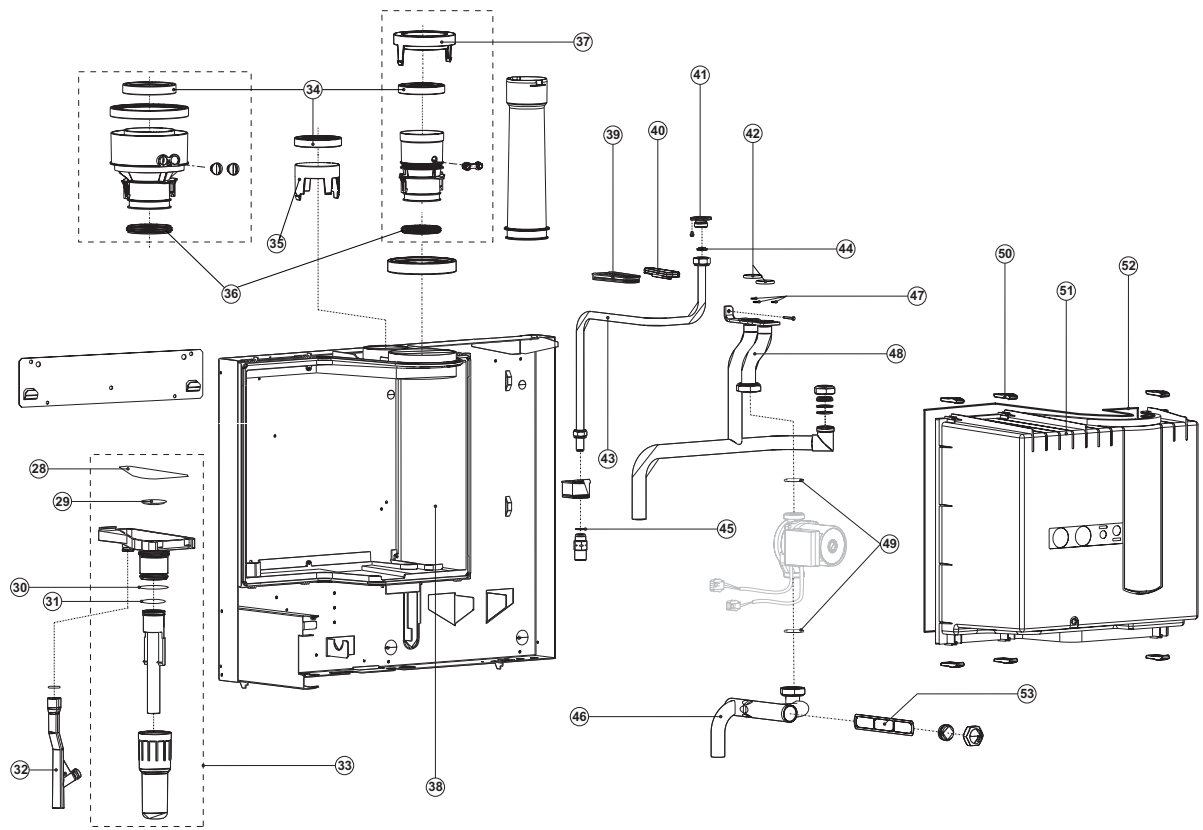


EVD-0087A

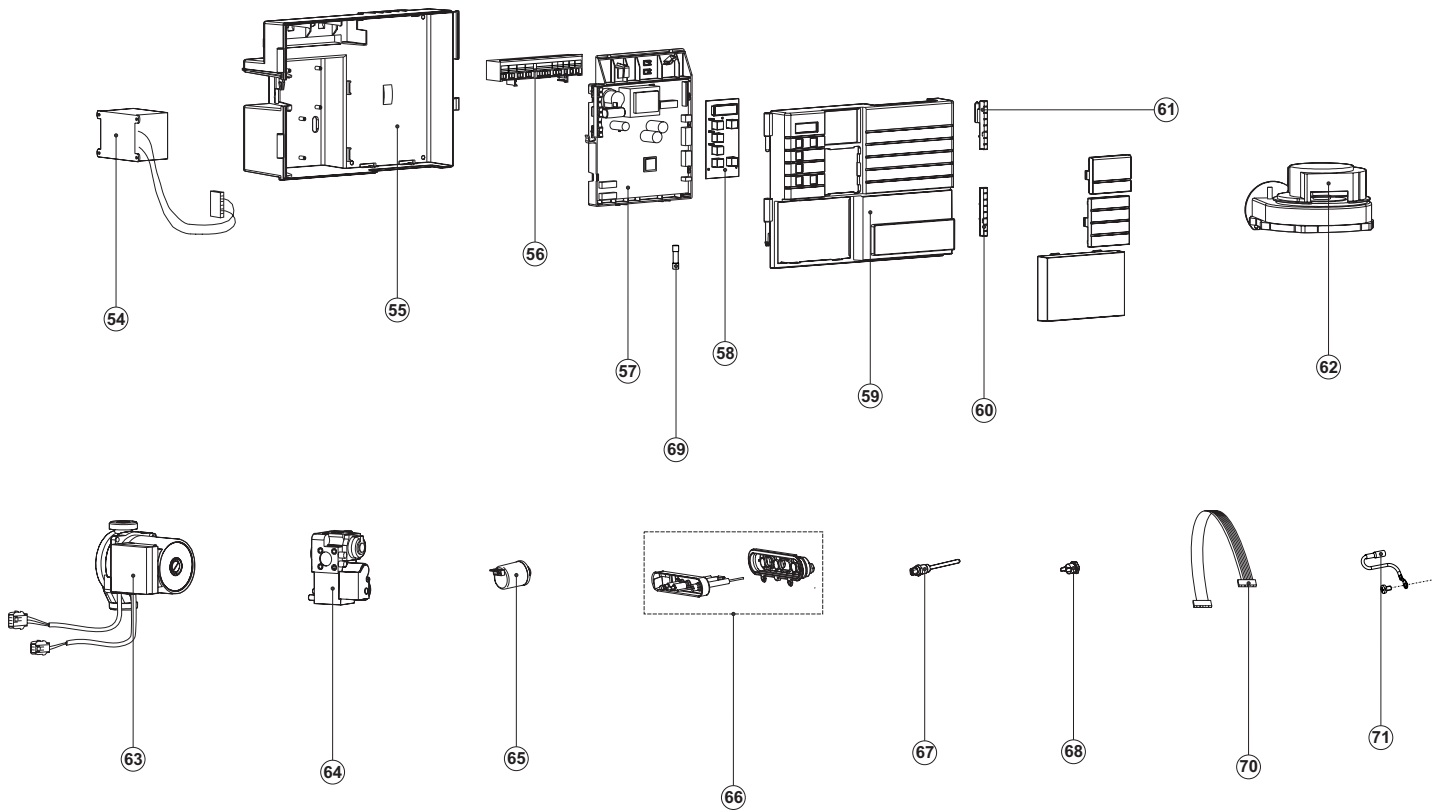


EVD-0087B

Exploded view EB



EVD-0087C



EVD-0087D

EB

EB parts



No.	Description	EB 40 (1× HEX 2)			EB 50 (1× HEX 4)		
		From	Till	Art. no.	From	Till	Art. no.
Jacket							
1	Accesspanel Control Display			0310506(S)			0310506(S)
Heat Exchanger							
2	Gasket (Fan-Heat Exchanger)			0310812(S)			0310812(S)
3	Gasket (Venturi-Fan)			0310454(S)			0310454(S)
4	Venturi			0310429(S)			0310430(S)
5	Gasket (Silencer-Venturi)			0310403(S)			0310403(S)
6	Silencer			n.d.			n.d.
7	Gasket (Venturi-Gas Control Valve)			0310458(S)			0310458(S)
8	Gasket (Ionisation-/Ignition rod-Heat Ex.)			0310489(S)			0310489(S)
9	Clamp Cover Heat Exchanger			0310409(S)			0310409(S)
10	Cover Heat Exchanger			n.d.			n.d.
11	Gasket (Heat Exchanger-Cover Heat Ex.)			0310499(S)			0310500(S)
12	Gasket (Burner-Cover Heat Exchanger)			0310497(S)			0310498(S)
13	Burner	NAT/LP		0310494(S)	before 25-03-'12		0310495(S)
		NAT		-	after 26-03-'12		0310534(S)
		LP		-	after 26-03-'12		0310495(S)
14	Insulation Heat Exchanger			0310505(S)			0310505(S)
15	Heat Exchanger			0310813(S)			0310814(S)
16	Gasket (Condensate Tray-Heat Exchanger)			0310496(S)			0310502(S)
17	Safety Valve			0310466(S)			0310466(S)
18	Hose Clamp			n.d.			n.d.
19	Discharge Hose Safety Valve			n.d.			n.d.
20	Condensate Tray			n.d.			n.d.
21	Clamp Condensate Tray			0310408(S)			0310408(S)
22	Cap Automatic Air Vent			n.d.			n.d.
23	Automatic Air Vent			0310815(S)			0310815(S)
24	Gasket (Air Vent-Heat Exchanger)			0310816(S)			0310816(S)
25	Gasket (Condense Tray-Flue Gas Outlet)			0310817(S)			0310817(S)
26	Spring Ignition Electrode			0310491(S)			0310491(S)
27	Water Pressure Sensor			0310485(S)			0310485(S)
Casing and Tubing							
28	Gasket (Condense Tray-Air Box)			0310459(S)			0310459(S)
29	Gasket (Syphon-Air Box)			0310419(S)			0310419(S)
30	O-ring (Syphon)			0310420(S)			0310420(S)
31	O-ring (Syphontray)			0310818(S)			0310818(S)
32	Drain Pipe Condensate Tray			n.d.			n.d.
33	Syphon			n.d.			n.d.
34	Gasket Air Inlet			n.d.			n.d.
35	Cover Air Inlet			n.d.			n.d.
36	Gasket Flue Gas Discharge Pipe			n.d.			n.d.
37	Cover Air Inlet			n.d.			n.d.
38	Air Box (Backside)			n.d.			0310418(S)
39	Gasket (Air Box-Flow/Return)			0310407(S)			0310407(S)
40	Cover Air Box			n.d.			n.d.
41	Flens Gas Control Valve			n.d.			n.d.
42	O-ring (Flow/Return)			0310410(S)			0310410(S)
43	Gas Pipe			n.d.			n.d.
44	Gasket Gas Control Valve Connection			0310461(S)			0310461(S)
45	O-ring (Gas Pipe)			0310456(S)			0310456(S)
46	Return Pipe Pump			n.d.			n.d.

Parts that are marked yellow are parts that are used for maintenance.

EB

EB parts

No.	Description	EB 40 (1× HEX 2)			EB 50 (1× HEX 4)		
		From	Till	Art. no.	From	Till	Art. no.
47	O-ring (Flow/Return Connection)			0310824(S)			0310824(S)
48	Flow Pipe			n.d.			n.d.
49	Gasket (Pump)			0310820(S)			0310820(S)
50	Click Connection Air Box			n.d.			n.d.
51	Air Box (Frontside)			n.d.			n.d.
52	Gasket (Air Box)			n.d.			n.d.
53	Filter Return Pipe			n.d.			n.d.
Control and Electrical Parts							
54	Trafo			0310452(S)			0310452(S)
55	Control Box (Backside)			0310440(S)			0310440(S)
56	Cable Assy			0310479(S)			0310479(S)
57	Control			0310492(S)			0310492(S)
58	Display			0310493(S)			0310493(S)
59	Control Box (Frontside)			0310439(S)			0310439(S)
60	Lock (Control Box)			0310444(S)			0310444(S)
61	Lock (Control Box-Air Box)			0310445(S)			0310445(S)
62	Fan Motor			0310481(S)			0310406(S)
63	Pump			0310488(S)			0310509(S)
64	Gas Control Valve			n.d.			n.d.
65	Water Pressure Sensor			0310485(S)			0310485(S)
66	Ignition Electrode with Gasket			0310490(S)			0310490(S)
67	Flow Sensor			0310511(S)			0310511(S)
68	NTC Sensor			0310514(S)			0310514(S)
	Fuse Control (250V 4AT)			0310484(S)			0310484(S)
69	Fuse Control (250V F2.0A)			0310825(S)			0310825(S)
	Fuse Control (250V F3.0A)			0310826(S)			0310826(S)
70	Communication Cable (Control-Display)			0310433(S)			0310433(S)
71	Ignition Cable Set			0310480(S)			0310480(S)

EB Conversion sets

Description	EB 40 (1× HEX 2)			EB 50 (1× HEX 4)		
	From	Till	Art. no.	From	Till	Art. no.
Conversion set to LP-gas from NAT to LP			0310800(S)	before 23-03-'12		n.d.
				after 26-03-'12		n.d.
Conversion set to NAT-gas from LP to NAT			n.d.			n.d.