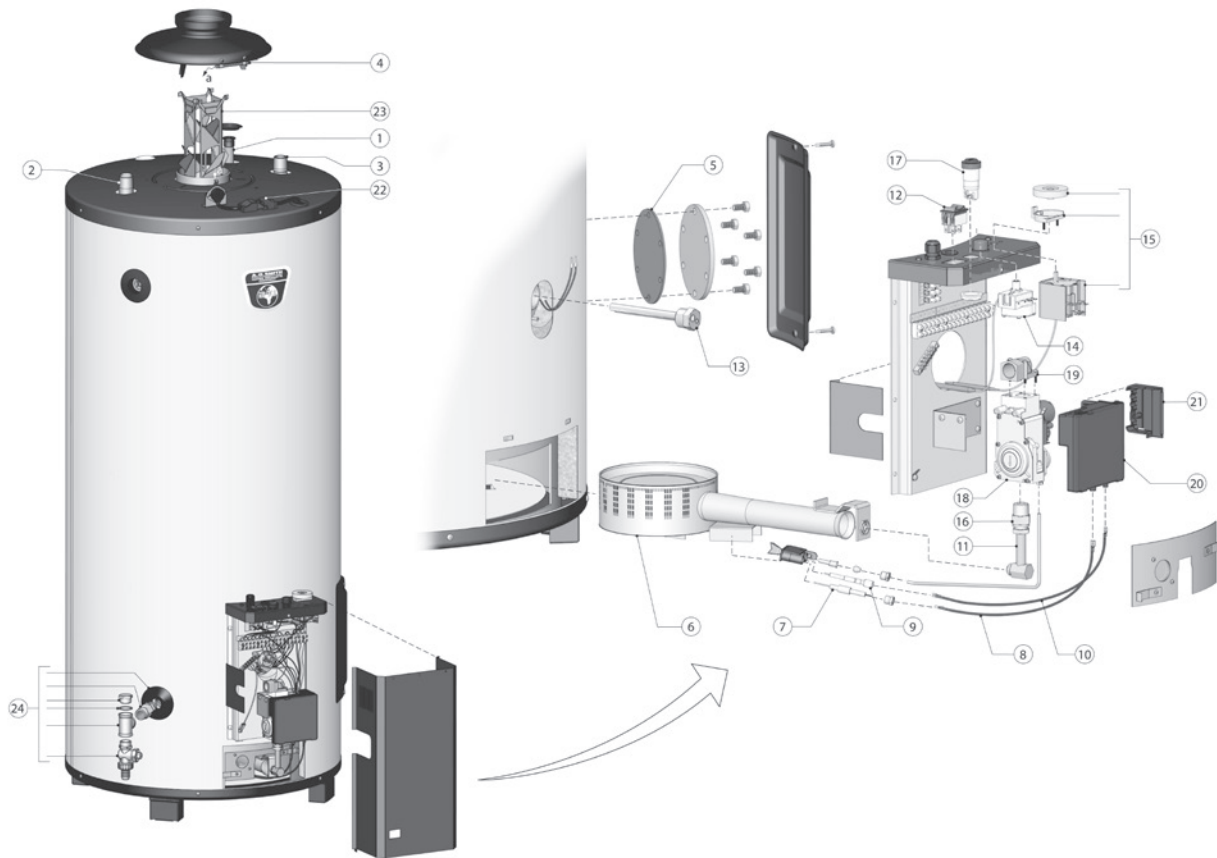
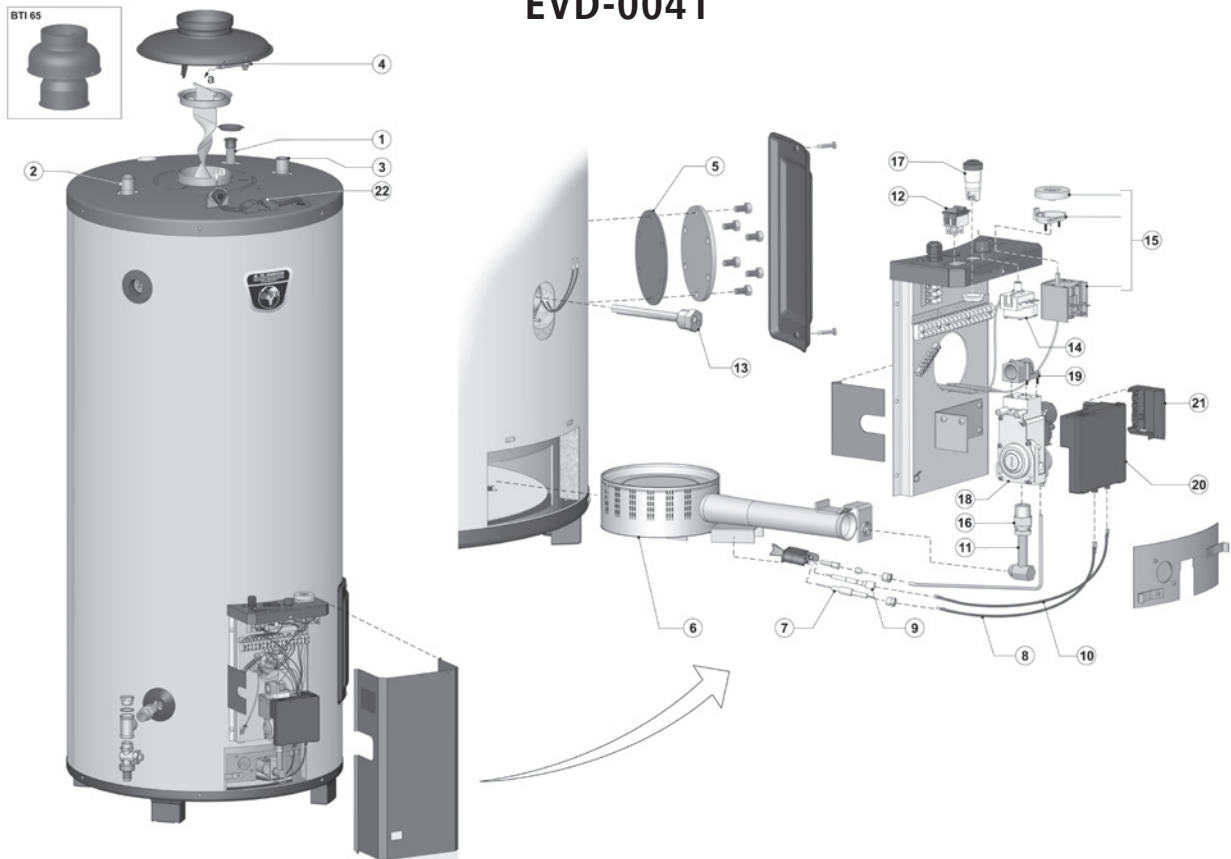


Exploded view BTI



EVD-0041



EVD-0026

BTI

BTI parts



| no | description | date | 65 | 85 | 100 |
|----|---|------------------|---------------|---------------|---------------|
| 1 | Anode | | 0183463039(S) | 0183463039(S) | 0183463050(S) |
| | Flexible anode | | 0304728(S) | 0304728(S) | 0304728(S) |
| 2 | Hot water outlet nipple | | 0194130002(S) | 0194139(S) | 0194135(S) |
| 3 | Cold water inlet | | 0184812(S) | 0194132029(S) | 0194134030(S) |
| 4 | Thermostat roll-out protection | before 01-07-'07 | 0305347(S) | 0305345(S) | 0305345(S) |
| | | after 01-07-'07 | 0305347(S) | 0308237(S) | 0308237(S) |
| 5 | Gasket inspection opening | | 0301136(S) | 0301136(S) | 0301136(S) |
| 6 | Burner | | 0303236(S) | 0303237(S) | 0303238(S) |
| 7 | Ionisation electrode | | 0301964(S) | 0301964(S) | 0301964(S) |
| 8 | Ionisation cable | | 0303728(S) | 0303728(S) | 0303728(S) |
| 9 | Ignition electrode | | 0303685(S) | 0303685(S) | 0303685(S) |
| 10 | Ignition cable | | 0303729(S) | 0303729(S) | 0303729(S) |
| 11 | Burner tube | | 0303094(S) | 0303481(S) | 0303481(S) |
| 12 | Switch ON/OFF | | 0303010(S) | 0303010(S) | 0303010(S) |
| 13 | Immersion well | | 0307545(S) | 0307545(S) | 0307545(S) |
| 14 | Safety thermostat | before 31-01-'06 | 0307572(S) | 0307572(S) | 0307572(S) |
| | | after 31-01-'06 | 0307557(S) | 0307557(S) | 0307557(S) |
| 15 | Control thermostat | | 0303031(S) | 0303031(S) | 0303031(S) |
| 16 | Compression fitting | | 0303150(S) | 0303150(S) | 0303150(S) |
| 17 | Reset button | | 0301948(S) | 0301948(S) | 0301948(S) |
| 18 | Gas control | | 0303022(S) | 0303022(S) | 0303022(S) |
| 19 | Elbow flange | | 0303026(S) | 0303026(S) | 0303026(S) |
| 20 | Automatic burner control | | 0303023(S) | 0303023(S) | 0303023(S) |
| 21 | Cover | | 0303025(S) | 0303025(S) | 0303025(S) |
| 22 | Thermostat roll-out protection - connection cable | | 0305346(S) | 0305346(S) | 0305346(S) |
| 23 | Flue baffle | before 01-07-'07 | 0301340(S) | 0070239(S) | 0301429(S) |
| | | after 01-07-'07 | 0301340(S) | 0196172001(S) | 0196172001(S) |
| 24 | Drain valve kit | | 0301022(S) | 0301022(S) | 0301022(S) |
| | Pilot burner (NAT) | | 0303472(S) | 0303472(S) | 0303472(S) |
| | Pilot burner (LP) | | 0303473(S) | 0303473(S) | 0303473(S) |

BTI accessories

| description | date | BTI 65 | BTI 85 | BTI 100 |
|-------------------------------|------------------|------------|------------|------------|
| Conversion kit to LP-gas | before 31-01-'07 | 0303661(S) | 0303662(S) | 0303663(S) |
| | after 01-02-'07 | 0303661(S) | 0308285(S) | 0308286(S) |
| Conversion kit to NAT-gas | before 31-01-'07 | 0303664(S) | 0303665(S) | 0303666(S) |
| | after 01-02-'07 | 0303664(S) | 0308287(S) | 0308288(S) |
| Cleaning opening set | | 0305082(S) | 0305082(S) | 0305082(S) |
| Inlet security group 3/4" sfr | | 0302706(S) | 0302706(S) | 0302706(S) |
| Power anode kit | | 0308015(S) | 0308015(S) | 0308015(S) |
| Gas cock | | 0300718(S) | 0300718(S) | 0300718(S) |
| Inlet security group 3/4" sfr | | 0302706(S) | 0302706(S) | 0302706(S) |
| Inlet security group DN32 | | - | - | 0309926(S) |

Parts that are marked yellow are parts that are used for maintenance.