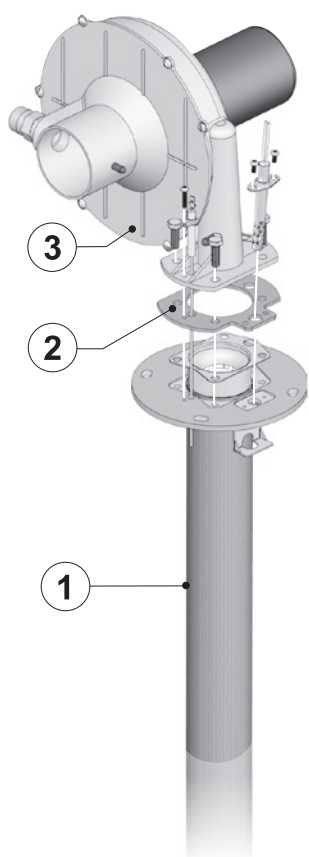


# Maintenance & Accessories



The comfort and ease of hot water and heating. Your clients don't think about that every day and they should not have to. They can turn to you. With A.O. Smith as your partner.

The A.O. Smith team in The Netherlands is responsible for the design and transport of her solar, gas-fired, electrical and indirect water heaters and boilers. Everything is adjusted to the European standards for quality and achievements. A.O. Smith supports you with a broad range of products and 50 years of experience in delivering reliable hot water systems.

## Who are A.O. Smith

Sustainability and innovation have been key words throughout the 120 year history of A.O. Smith. As the inventor of a patented glass coating process, A.O. Smith knows like no other how to maximize the lifetime and quality of glass lined-steel water heating appliances.

Today, A.O. Smith supplies products in many different areas and applications. Through constant innovation, at production level and application level, A.O. Smith maintains its leading position in the market. This applies both to the choice of materials and components used in the manufacturing process, as well as to the efficiency of the finished products.



## Quality

A.O. Smith is driven in its quest to make the highest quality products and securing high levels of customer satisfaction. This is expressed in our wide range of system solutions, varying from small domestic to large industrial applications, as well as the technical support service that we offer.

### Consultancy from concept to order

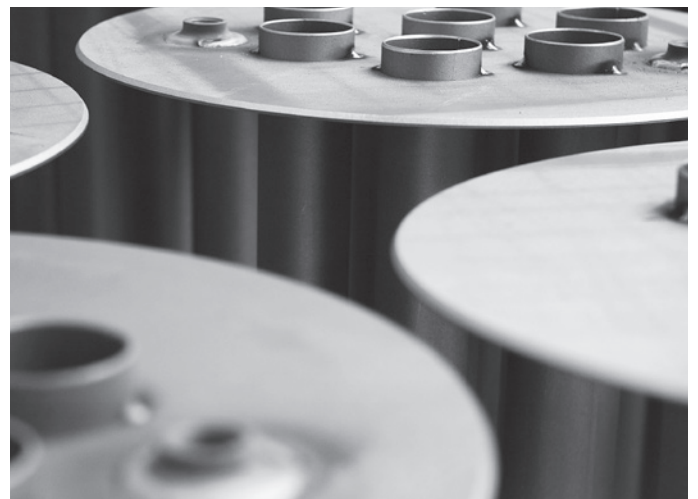
One popular option is to obtain support from your local Sales Engineer or, alternatively, our Technical Support department. This support is available starting from the planning and design stages, when important decisions need to be made. We're also available to discuss your installation and service requirements, when the need arises.

### Development and production processes

Quality is a major factor in the development and production of our appliances. A.O. Smith is a trendsetter in the field of advanced water heating products and technologies. A good example developed entirely in-house, is our patented PermaGlas Ultra Coat enamelling: a glass protective layer on the interior surface of the steel tank, ensuring maximum corrosion resistance and a long lifetime of the appliance.

### Certification

Our appliances and the processes by which they are manufactured are compliant with quality standards such as ISO 9001 : 2000. As a global manufacturer local standards and directives are also applied. CE certification is obviously standard for the entire European market. Supplementary certificates required for eligibility for local and regional subsidy programmes are applicable in The Netherlands, France, Belgium and Great Britain. In addition, our products conform to the European RoHS, WEEE and PED directives.



# Contents

Subject	Page	Subject	Page
Who are A.O. Smith	2	<b>Innovo</b>	45
Quality	2	<b>Instano</b>	47
Customer satisfaction and support	4	<b>IT</b>	50
<b>ADM / ADMP / ADMR</b>	5	<b>ITE</b>	52
<b>ADML</b>	10	<b>ITS</b>	53
<b>AH/AHD</b>	12	<b>PHE</b>	54
<b>BFC Cyclone</b>	13	<b>SGE</b>	55
<b>BFM</b>	21	<b>SGS</b>	60
<b>BTA / BTC / BTR</b>	23	<b>ST</b>	68
<b>BT</b>	24	<b>Theta dual service</b>	70
<b>BTI</b>	26	<b>TUNE</b>	74
<b>BTL</b>	28	<b>TWI</b>	75
<b>CMC</b>	30	<b>TWI II</b>	77
<b>COF</b>	31	<b>UB</b>	79
<b>DRE</b>	32	<b>WF / WFF</b>	83
<b>DRE Plus</b>	34	Effectively de-scaling with Dscale	84
<b>EB</b>	35	Collectors	85
<b>EES</b>	39	Collector parts	87
<b>Enevator Store</b>	40	Solar systems and parts	95
<b>EQ / EQB</b>	42		

# Customer satisfaction and support

When a manufacturer of vital high-end appliances claims to maximize the user's comfort, it must be able to support and guarantee that its products run impeccably. Customer satisfaction throughout the entire lifetime of the products, the A.O. Smith promise. A.O. Smith offers a comprehensive range of services (sizing, commissioning, service and maintenance) to validate that promise.

### Sizing

Customer satisfaction starts in the design phase of your installation: sound, expert advice from A.O. Smith at this point will help you choose the right installation for your needs. The A.O. Smith 'Sizing' programme offers guidance in this process. More information about our Sizing programme can be found on the A.O. Smith website.

### Commissioning

A.O. Smith believes that good service does not end with the delivery of an installation, but remains available throughout the entire operational life of your water heating system. It starts, for example, with the commissioning of your system. A.O. Smith can play a major role by inspecting the entire installation. In addition, we can programme the controls to suit the application and your own specific needs. At the same time this allows us to ensure energy use is optimized.

### Service

Of course there is also the service that you would expect from a manufacturer of high quality products. This includes troubleshooting and having technical support available on site.

### Maintenance

On request, A.O. Smith can also provide both preventative and annual maintenance for your installation. Keeping vital parts in good working order is not only essential for a consistent supply of hot water; it also ensures the appliance's efficiency.



#### TECHNICAL SUPPORT

The general telephone number of the UK office is 01252 551 540.

Our Technical Support group can be contacted directly (for sizing, commissioning, service and maintenance) via:

Telephone 01252 551 540

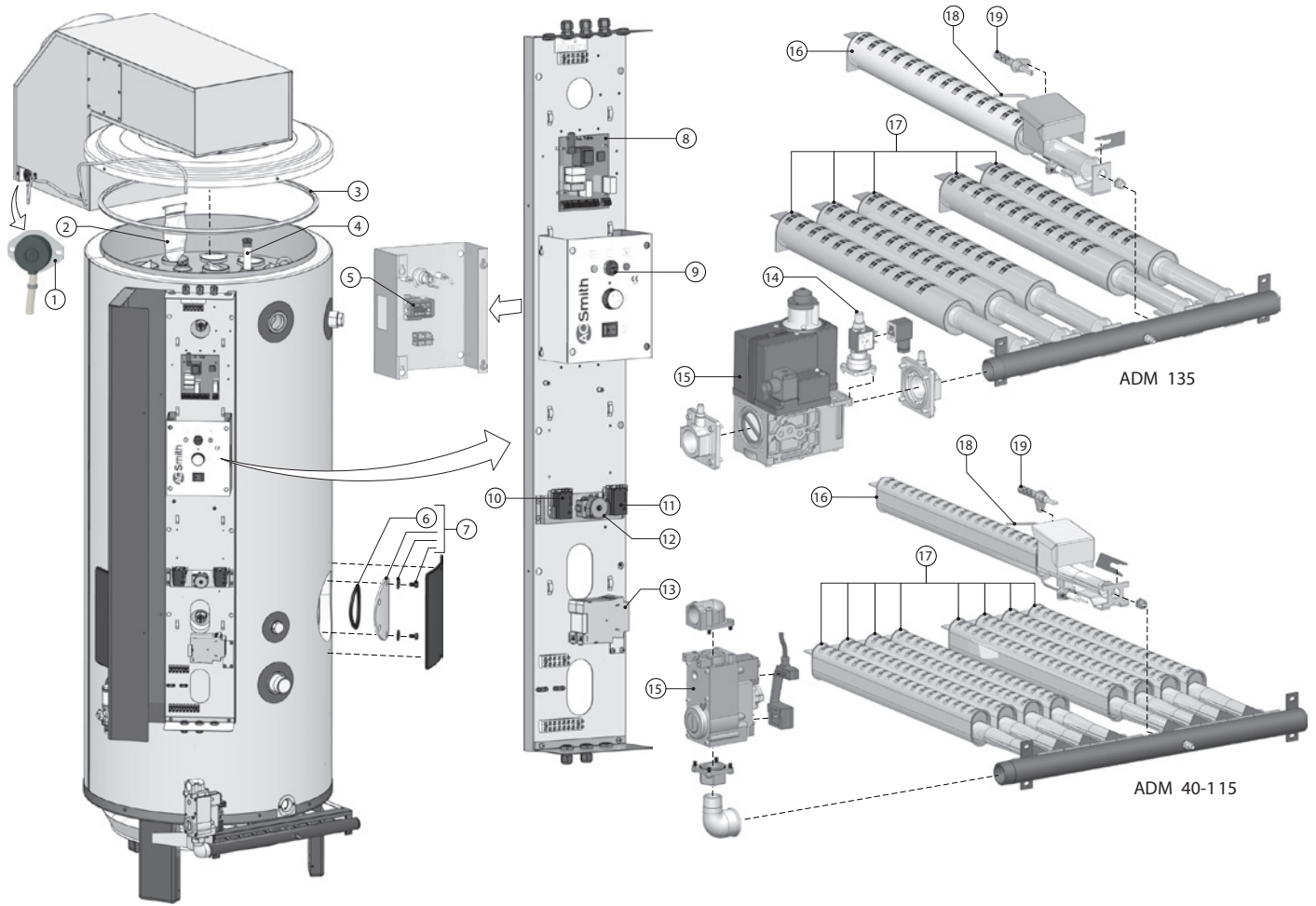
E-mail [sales@aosmith.co.uk](mailto:sales@aosmith.co.uk)

Outside office hours you can leave a message.

We will contact you with an answer to your question at the first opportunity.

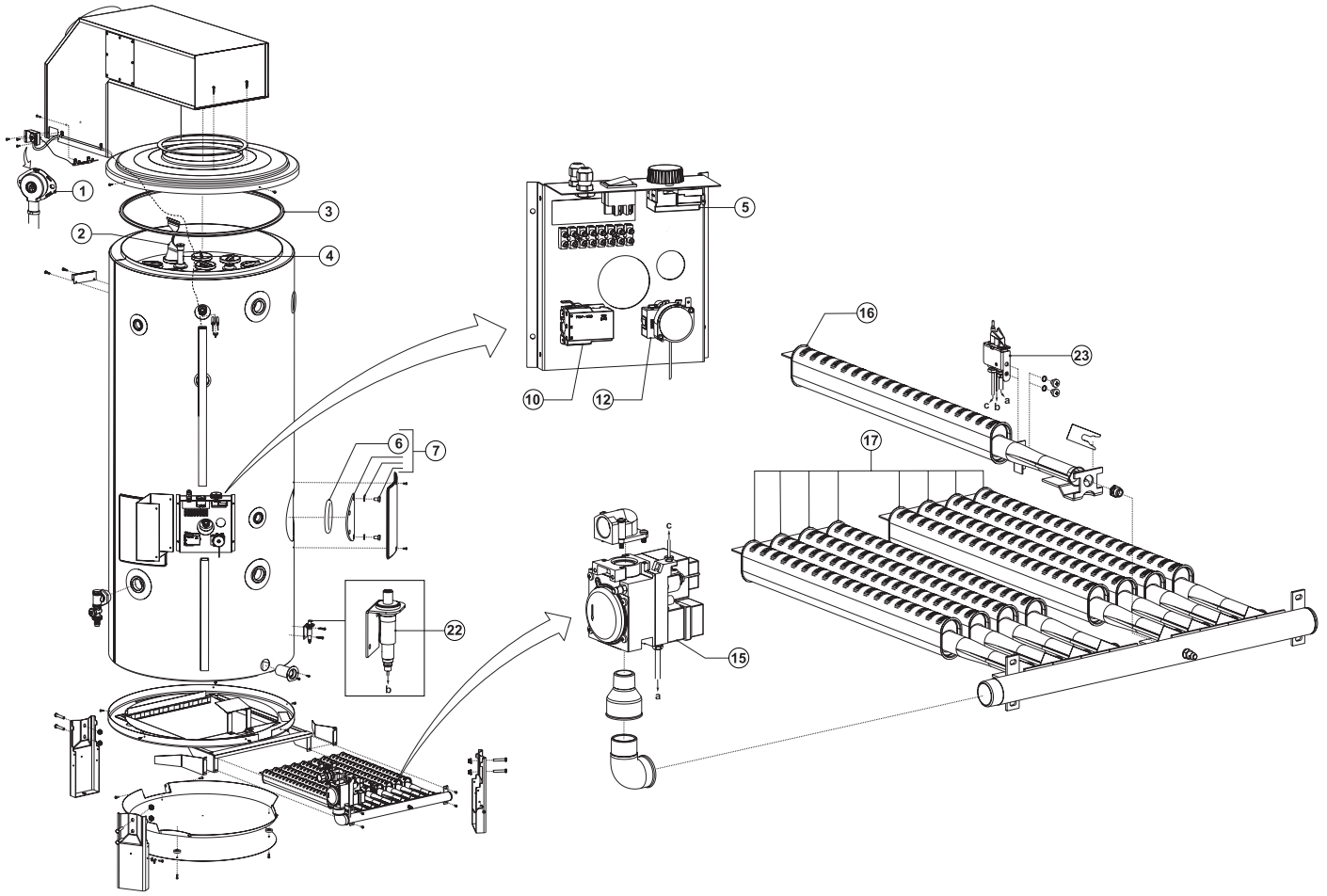


# Exploded view ADM



EVD-0008


# Exploded view ADMP



EVD-0007


# ADM / ADMP / ADMR

## ADM parts



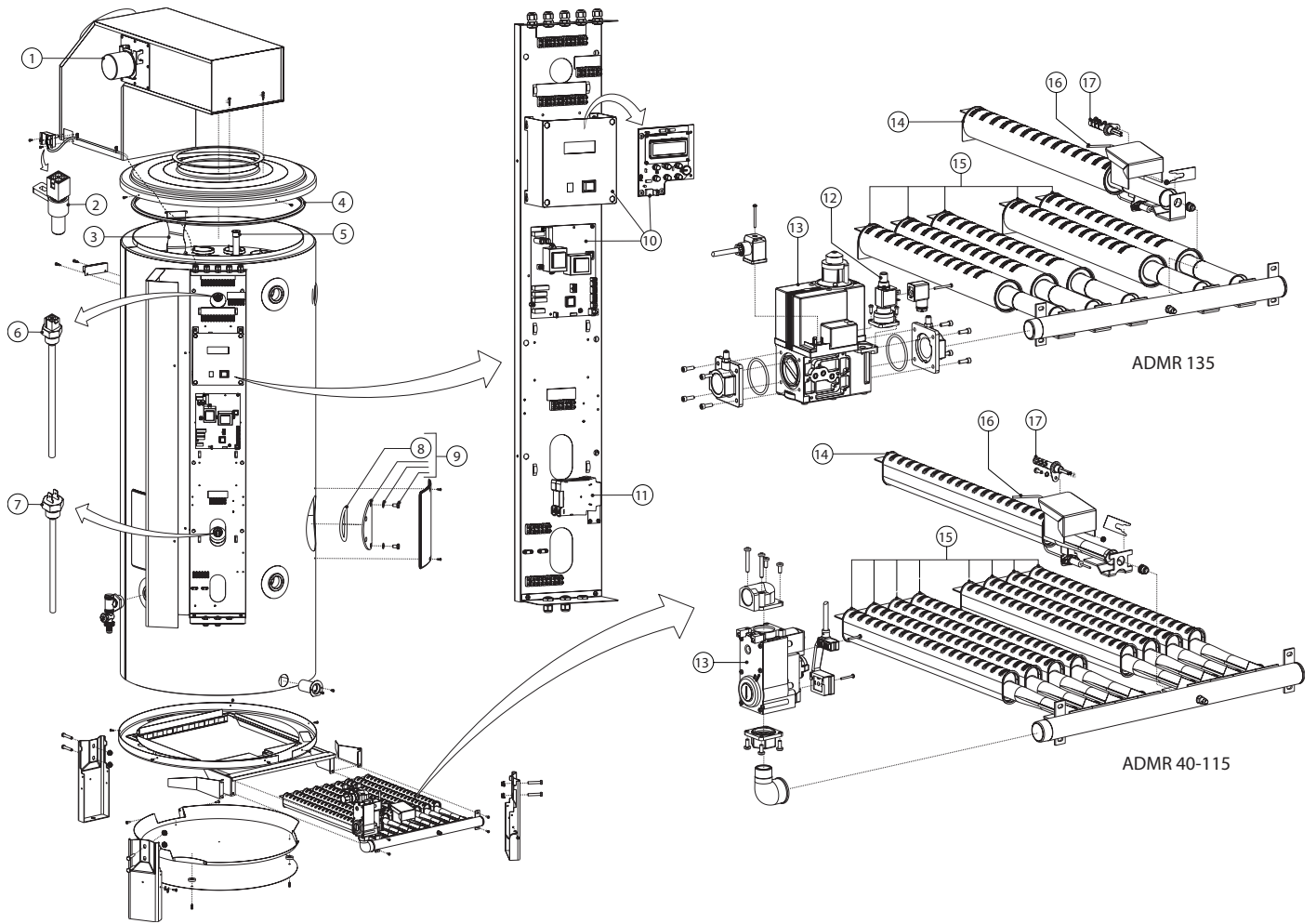
Nr.	Description	date	40	50	60	80	90	115	135
1	Flue gas thermostat	before 13-11-'05 after 13-11-'05	0303316(S) 0307450(S)	0303316(S)	0303317(S)	0303317(S)	0303318(S)	0303318(S)	0303317(S)
2	Flue baffle		0068440002(S) (5x)	0068440002(S) (6x)	0068440002(S) (7x)	0068440002(S) (9x)	0068440002(S) (12x)	0068440002(S) (16x)	0191996002(S) (17x)
3	Sealing ring tank/top cover jacket		0305098(S)	0305098(S)	0305098(S)	0305098(S)	0305098(S)	0305098(S)	0305098(S)
4	Anode		0183463039(S) (2x)	0183463050(S) (2x)	0183463039(S) (2x)	0183463050(S) (3x)	0183463039(S) (3x)	0183463039(S) (4x)	0183463039(S) (4x)
	Flexible anode		0304728(S) (2x)	0304728(S) (2x)	0304728(S) (2x)	0304728(S) (3x)	0304728(S) (3x)	0304728(S) (4x)	0304728(S) (4x)
5	Control thermostat		0302989(S)	0302989(S)	0302989(S)	0302989(S)	0302989(S)	0302989(S)	0302989(S)
6	Sealing ring cleaning opening		0304741(S)	0304741(S)	0304741(S)	0304741(S)	0304741(S)	0304741(S)	0304741(S)
7	Cleaning opening service kit		0301125(S)	0301125(S)	0301125(S)	0301125(S)	0301125(S)	0301125(S)	0301125(S)
8	Burner control		0303497(S)	0303497(S)	0303497(S)	0303497(S)	0303497(S)	0303497(S)	0303497(S)
9	Reset button		0301948(S)	0301948(S)	0301948(S)	0301948(S)	0301948(S)	0301948(S)	0301948(S)
10	High-limit thermostat		0302991(S)	0302991(S)	0302991(S)	0302991(S)	0302991(S)	0302991(S)	0302991(S)
11	Frost thermostat		0302990(S)	0302990(S)	0302990(S)	0302990(S)	0302990(S)	0302990(S)	0302990(S)
12	Safety thermostat		0300674(S)	0300674(S)	0300674(S)	0300674(S)	0300674(S)	0300674(S)	0300674(S)
13	Timer		-	-	-	-	-	-	0305024(S)
14	High-low control		-	-	-	-	-	-	0305021(S)
15	Gas control (NAT)		0300903(S)	0300903(S)	0300903(S)	0300903(S)	0300903(S)	0300808(S)	0304923(S)
	Gas control (LP)		0301099(S)	0301099(S)	0301099(S)	0301099(S)	0301099(S)	0301100(S)	0305153(S)
16	Ignition burner		0304892(S)	0304892(S)	0304892(S)	0304892(S)	0304892(S)	0304892(S)	0305321(S)
17	Burner		0304891(S) (2x)	0304891(S) (3x)	0304891(S) (4x)	0304891(S) (6x)	0304891(S) (6x)	0304891(S) (8x)	0305010(S) (5x)
18	Flame probe	after 12-05-'03	0305407(S)	0305407(S)	0305407(S)	0305407(S)	0305407(S)	0305407(S)	0305407(S)
	Hot surface igniter	before 20-10-'03	0303493(S)	0303493(S)	0303493(S)	0303493(S)	0303493(S)	0303493(S)	0303493(S)
19	Hot surface igniter	after 21-10-'03	0304242(S)	0304242(S)	0304242(S)	0304242(S)	0304242(S)	0304242(S)	0304242(S)
	Glow Igniter / ionisation service kit	before 12-05-'03	0303045(S)	0303045(S)	0303045(S)	0303045(S)	0303045(S)	0303045(S)	0303045(S)

## ADMP parts



Nr.	Description	date	40	50	60	80	90	115
1	Flue gas thermostat	before 13-11-'05 after 13-11-'05	0303316(S) 0307450(S)	0303316(S)	0303317(S)	0303317(S)	0303318(S)	0303318(S)
2	Flue baffle		0068440002(S) (5x)	0068440002(S) (6x)	0068440002(S) (7x)	0068440002(S) (9x)	0068440002(S) (12x)	0068440002(S) (16x)
3	Sealing ring tank/top cover jacket		0305098(S)	0305098(S)	0305098(S)	0305098(S)	0305098(S)	0305098(S)
4	Anode		0183463039(S) (2x)	0183463050(S) (2x)	0183463039(S) (2x)	0183463050(S) (3x)	0183463039(S) (3x)	0183463039(S) (4x)
	Flexible anode		0304728(S) (2x)	0304728(S) (2x)	0304728(S) (2x)	0304728(S) (3x)	0304728(S) (3x)	0304728(S) (4x)
5	Control thermostat		0302989(S)	0302989(S)	0302989(S)	0302989(S)	0302989(S)	0302989(S)
6	Sealing ring cleaning opening		0304741(S)	0304741(S)	0304741(S)	0304741(S)	0304741(S)	0304741(S)
7	Cleaning opening service kit		0301125(S)	0301125(S)	0301125(S)	0301125(S)	0301125(S)	0301125(S)
10	High-limit thermostat		0302991(S)	0302991(S)	0302991(S)	0302991(S)	0302991(S)	0302991(S)
12	Safety thermostat		0300674(S)	0300674(S)	0300674(S)	0300674(S)	0300674(S)	0300674(S)
15	Gas control (NAT)		0070115(S)	0070115(S)	0070115(S)	0070115(S)	0070115(S)	0070115(S)
	Gas control (LP)		0070115002(S)	0070115002(S)	0070115002(S)	0070115002(S)	0070115002(S)	0070115002(S)
16	Ignition burner		0304892(S)	0304892(S)	0304892(S)	0304892(S)	0304892(S)	0304892(S)
17	Burner		0304891(S) (2x)	0304891(S) (3x)	0304891(S) (4x)	0304891(S) (6x)	0304891(S) (6x)	0304891(S) (8x)
22	Sparker		0307596(S)	0307596(S)	0307596(S)	0307596(S)	0307596(S)	0307596(S)
23	Pilot burner set (NAT)		0301104(S)	0301104(S)	0301104(S)	0301104(S)	0301104(S)	0301104(S)
	Pilot burner set (LP)		0301105(S)	0301105(S)	0301105(S)	0301105(S)	0301105(S)	0301105(S)

# Exploded view ADMR



EVD-0009

# ADM / ADMP / ADMR

## ADMR parts



Nr.	Description	date	40	50	60	80	90	115	135
1	Flue damper	before 01-05-'00	0306648(S)	0306648(S)	0306648(S)	0306648(S)	0306649(S)	0306649(S)	0306651(S)
		01-05-'00 to 12-05-'03	0306650(S)	0306650(S)	0306650(S)	0306650(S)	0306651(S)	0306651(S)	0306651(S)
		after 12-05-'03	0306652(S)	0306652(S)	0306652(S)	0306652(S)	0306653(S)	0306653(S)	0306653(S)
2	Flue gas sensor		0304470(S)	0304470(S)	0304470(S)	0304470(S)	0304470(S)	0304470(S)	0304470(S)
3	Flue baffle		0068440002(S) (5x)	0068440002(S) (6x)	0068440002(S) (7x)	0068440002(S) (9x)	0068440002(S) (12x)	0068440002(S) (16x)	0191996002(S) (17x)
4	Sealing ring tank/top cover jacket		0305098(S)	0305098(S)	0305098(S)	0305098(S)	0305098(S)	0305098(S)	0305098(S)
5	Anode		0183463039(S) (2x)	0183463050(S) (2x)	0183463039(S) (2x)	0183463050(S) (3x)	0183463039(S) (3x)	0183463039(S) (4x)	0183463039(S) (4x)
	Flexible anode		0304728(S) (2x)	0304728(S) (2x)	0304728(S) (2x)	0304728(S) (3x)	0304728(S) (3x)	0304728(S) (4x)	0304728(S) (4x)
6	Temp.sensor T2 (top tank)		0304469(S)	0304469(S)	0304469(S)	0304469(S)	0304469(S)	0304469(S)	0304469(S)
7	Temp.sensor T1 (bottom tank)		0304468(S)	0304468(S)	0304468(S)	0304468(S)	0304468(S)	0304468(S)	0304468(S)
8	Sealing ring inspection opening		0304741(S)	0304741(S)	0304741(S)	0304741(S)	0304741(S)	0304741(S)	0304741(S)
9	Cleaning opening service kit		0301125(S)	0301125(S)	0301125(S)	0301125(S)	0301125(S)	0301125(S)	0301125(S)
10	BT tronic kit	01-05-'00 to 12-05-'03	0309752(S)	0309752(S)	0309752(S)	0309752(S)	0309752(S)	0309752(S)	n.a.
		before 18-09-'06	0307955(S)	0307955(S)	0307955(S)	0307955(S)	0307955(S)	0307955(S)	0307955(S)
		after 18-09-'06	0307951(S)	0307951(S)	0307951(S)	0307951(S)	0307951(S)	0307951(S)	0307951(S)
11	Timer (LP)		-	-	-	-	-	-	0305024(S)
12	High-low control (LP)		-	-	-	-	-	-	0305021(S)
13	Gas control (NAT)		0300903(S)	0300903(S)	0300903(S)	0300903(S)	0300903(S)	0300808(S)	0304923(S)
	Gas control (LP)		0301099(S)	0301099(S)	0301099(S)	0301099(S)	0301099(S)	0301100(S)	0305153(S)
14	Ignition burner		0304892(S)	0304892(S)	0304892(S)	0304892(S)	0304892(S)	0304892(S)	0305321(S)
15	Burner		0304891(S) (2x)	0304891(S) (3x)	0304891(S) (4x)	0304891(S) (6x)	0304891(S) (6x)	0304891(S) (8x)	0305010(S) (5x)
16	Flame probe	after 12-05-'03	0305407(S)	0305407(S)	0305407(S)	0305407(S)	0305407(S)	0305407(S)	0305407(S)
17	Glow igniter	before 31-08-'03	0303493(S)	0303493(S)	0303493(S)	0303493(S)	0303493(S)	0303493(S)	0303493(S)
		01-09-'03 to 31-05-'05	0307303(S)	0307303(S)	0307303(S)	0307303(S)	0307303(S)	0307303(S)	0307303(S)
		after 01-06-'05	0305413(S)	0305413(S)	0305413(S)	0305413(S)	0305413(S)	0305413(S)	0305413(S)

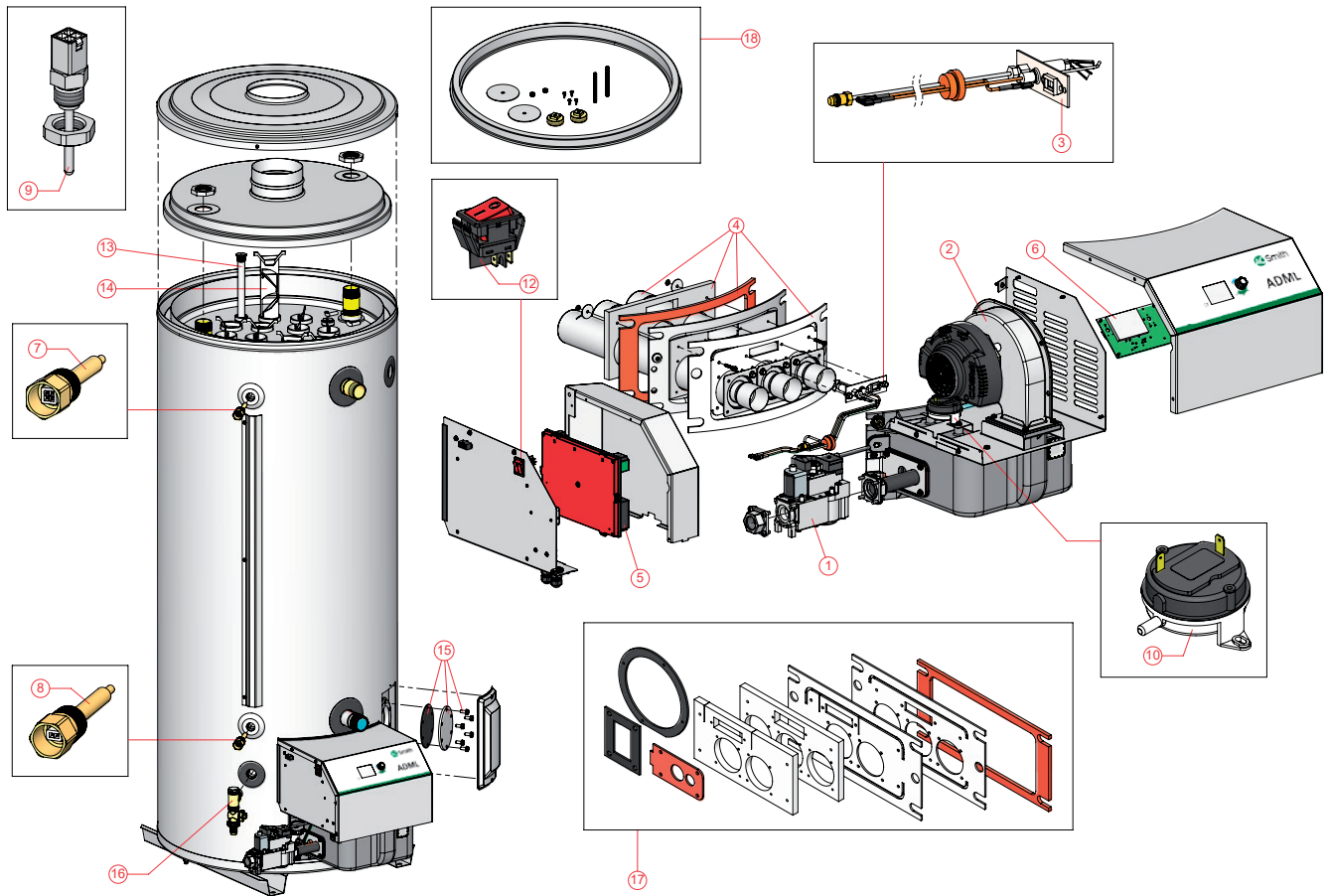
## ADM / ADMP / ADMR accessories

Description	date	40	50	60	80	90	115	135
Conversion set to LP-gas		0303245(S)	0303246(S)	0303247(S)	0303248(S)	0303249(S)	0303250(S)	0308106(S)
Conversion set to NAT-gas		0303258(S)	0303259(S)	0303260(S)	0303261(S)	0303262(S)	0303263(S)	0312593(S)
Conversion set to NAT-gas ADMP		0309871(S)	0309872(S)	0309873(S)	0309874(S)	0309875(S)	0309876(S)	-
Inlet security group G1"		0070066003(S)	0070066003(S)	0070066003(S)	0070066003(S)	0070066003(S)	0070066003(S)	0070066003(S)
Isolating transformer kit ADMR		0306053(S)	0306053(S)	0306053(S)	0306053(S)	0306053(S)	0306053(S)	0306053(S)
Power anode kit ADM / ADMR	after 01-08-'06	0308017(S)	0308017(S)	0308017(S)	0308017(S)	0308017(S)	0308017(S)	0308017(S)
Power anode kit ADMP	after 01-08-'06	0308016(S)	0308016(S)	0308016(S)	0308016(S)	0308016(S)	0308016(S)	-
Potential free switch kit ADMR		n.a.	n.a.	n.a.	n.a.	n.a.	n.a.	n.a.
Gas cock		0300719(S)	0300719(S)	0300719(S)	0300719(S)	0300719(S)	0300719(S)	0308419(S)
Inlet security group DN40		0309927(S)	0309927(S)	0309927(S)	0309927(S)	0309927(S)	0309927(S)	0309927(S)
Reducing Nipple 1½" x 1"NPT		-	-	-	-	0308812(S)	0308812(S)	0308812(S)

Parts that are marked yellow are parts that are used for maintenance.



# Exploded view ADML



EVD-0112

# ADML

## ADML parts



Nr.	Description	date	ADML 50	ADML 80	ADML 100
1	Gas control valve		0313463(S)	0313463(S)	0313463(S)
2	Fan		0313464(S)	0313464(S)	0313464(S)
3	Pilot burner		0313465(S)	0313465(S)	0313465(S)
4	Burners		0313466(S)	-	-
			-	0313482(S)	0313482(S)
5	Controller		0313467(S)	0313467(S)	0313467(S)
6	LCD Display		0313468(S)	0313468(S)	0313468(S)
7	Top tank sensor		0313469(S)	0313469(S)	0313469(S)
8	Bottom tank sensor		0313470(S)	0313470(S)	0313470(S)
9	Thermal reflux safeguard		0313471(S)	0313471(S)	0313471(S)
10	Air proving switch		0313472(S)	0313472(S)	0313472(S)
11	Cable assy		0313479(S)	0313479(S)	0313479(S)
12	Control switch		0313480(S)	0313480(S)	0313480(S)
13	Anode set		0313473(S)	-	-
			-	0313474(S)	0313474(S)
	Flexible anode		0313481(S)	0313481(S)	0313481(S)
			0313475(S)	-	-
14	Flue Baffles		-	0313476(S)	-
			-	-	0313477(S)
15	Clean out service kit		0305082(S)	0305082(S)	0305082(S)
16	Drain valve		0313407(S)	0313407(S)	0313407(S)
17	Gaskets and mounting parts		0313478(S)	0313478(S)	0313478(S)
18	Top cover mounting service kit		n.a	n.a.	n.a.

## ADML accessories

Description	date	ADML 50	ADML 80	ADML 100
Draught diverter		0313427(S)	0313428(S)	0313429(S)
		0313421(S)	0313422(S)	0313423(S)
Adapter draught diverter Ø 225-250 mm		-	-	0070076(S)
Adapter draught diverter Ø 200-250 mm		-	-	0313487(S)
Inlet security group G1"		0070066003(S)	0070066003(S)	0070066003(S)
Inlet security group DN40		0309927(S)	0309927(S)	0309927(S)
Gas cock		0300719(S)	0300719(S)	0300719(S)

Parts that are marked yellow are parts that are used for maintenance.

# AH / AHD

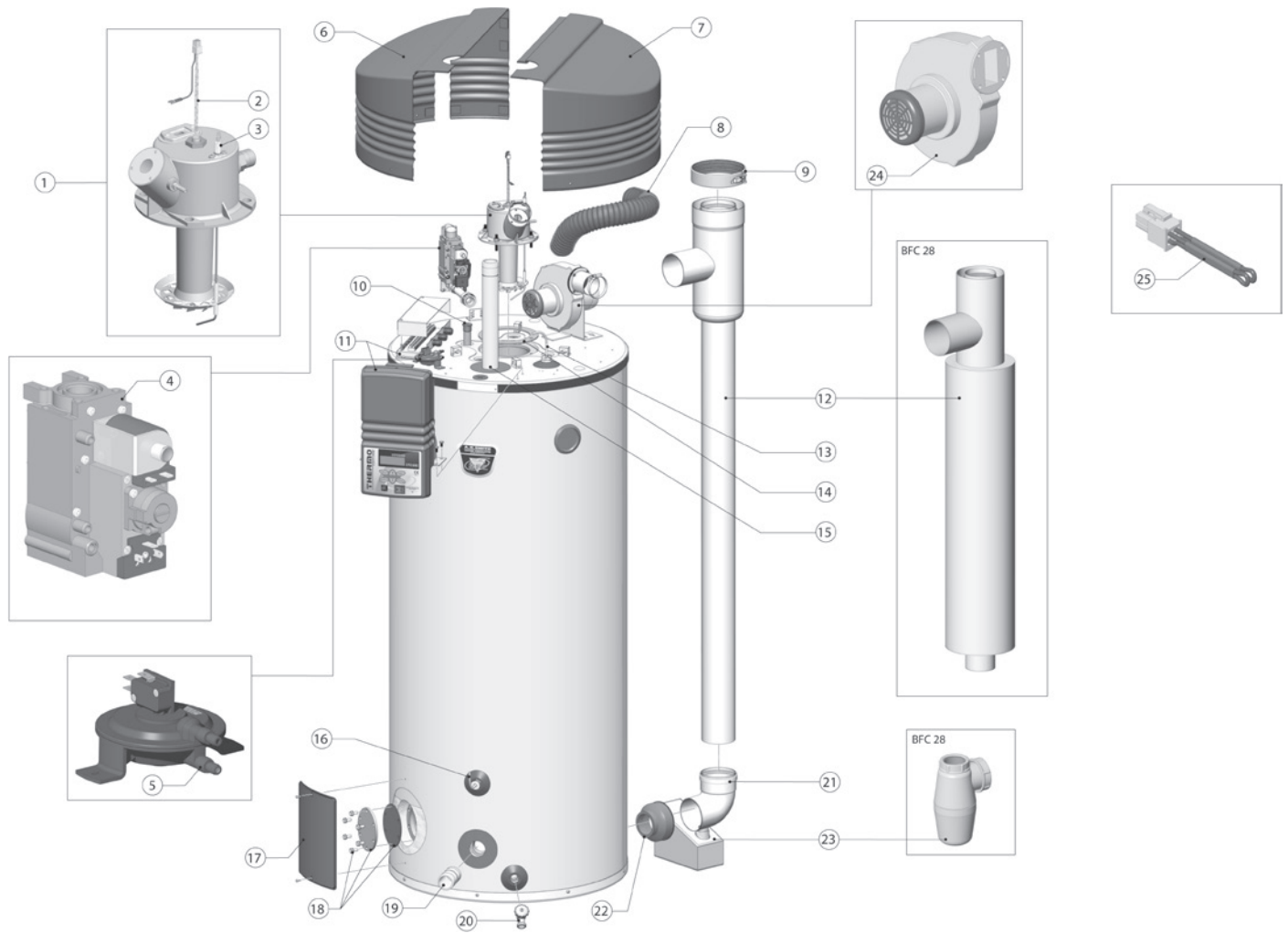
## AH / AHD parts

Description	Date	AH 290	AHD 290
Gasket		0304395(S)	0304395(S)
Anode		0311487(S)	0311487(S)

**Remark:**  
 Drawings of the AH and AHD water heaters are not available

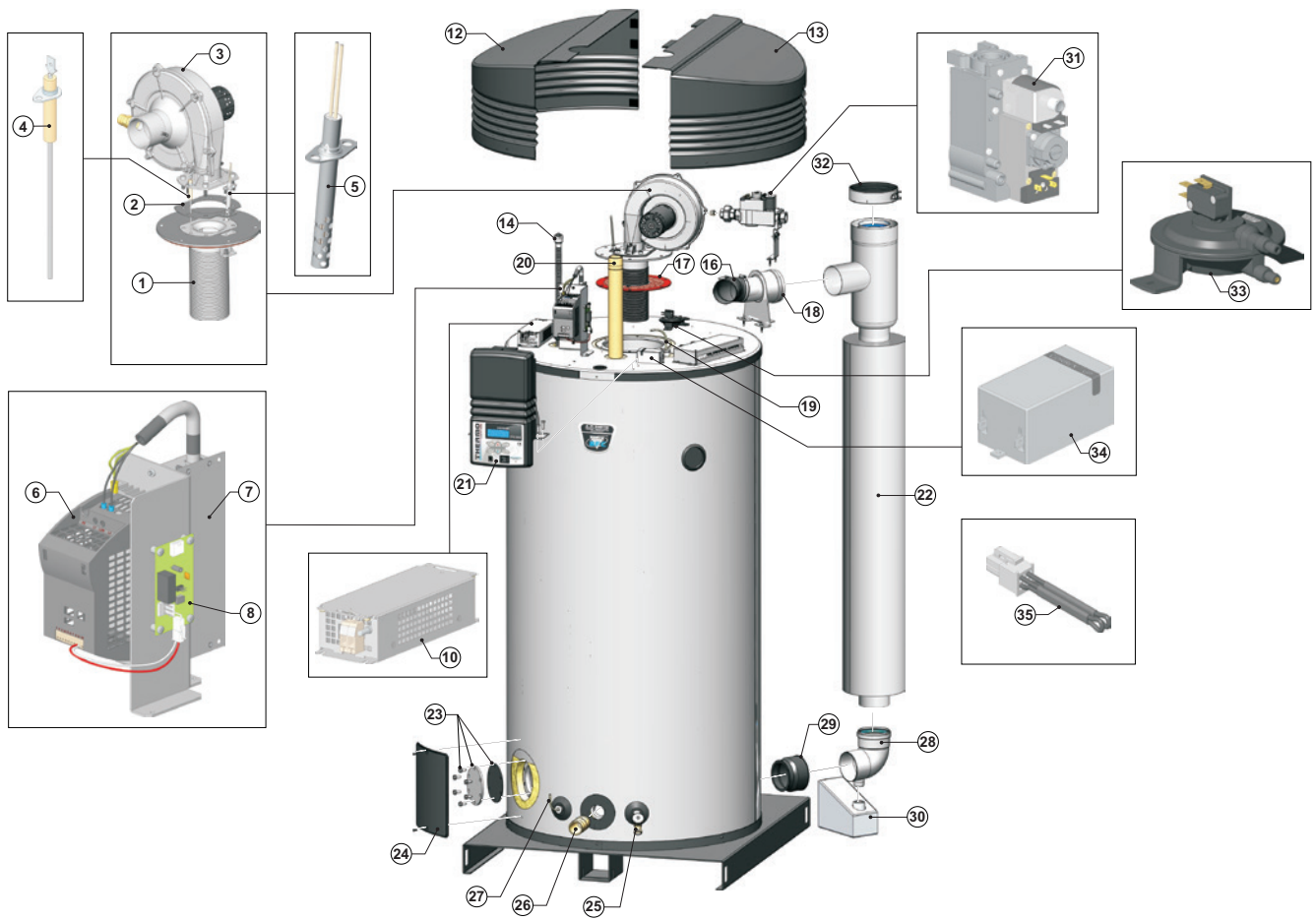


Exploded view BFC 28-60 before 14-09-'09



EVD-0011

# Exploded view BFC 80-100 before 14-09-'09



EVD-0037 R1



# BFC Cyclone before 14-09-'09

## BFC Cyclone parts



nr	description	date	28	30	50	60
1	Burner		n.a.	n.a.	n.a.	n.a.
2	Glow igniter service kit	tot 01-06-'05 vanaf 01-06-'05	0307315(S) 0304079(S)	0307315(S) 0304079(S)	0307315(S) 0304079(S)	0307315(S) 0304079(S)
3	Flame probe		0192478(S)	0192478(S)	0192478(S)	0192478(S)
4	Gas control (NAT) Gas Control (LP)		0300903(S) 0301099(S)	0300903(S) 0301099(S)	0300903(S) 0301099(S)	0300808(S) 0301100(S)
5	Differential air pressure switch	tot 16-11-'08 vanaf 17-11-'08	0305003(S) 0309235(S)	0305004(S) 0305004(S)	0305005(S) 0305005(S)	0305006(S) 0305006(S)
8	Flexible hose		0304035(S)	0304035(S)	0304035(S)	0304035(S)
9	Clamping strip		0305027(S)	0304199(S)	0304199(S)	0304199(S)
10	Anode Flexible anode		0183463039(S) (4x) 0304728(S) (4x)	0183463050(S) (4x) 0304728(S) (4x)	0183463050(S) (4x) 0304728(S) (4x)	0183463050(S) (4x) 0304728(S) (4x)
11	ThermoControl		0307936(S)	0307936(S)	0307936(S)	0307936(S)
12	Y-piece duct damper		0304987(S)	0304683(S)	0304683(S)	0304683(S)
13	Temp.sensor T2 (top tank)		0304005(S)	0304005(S)	0304005(S)	0304005(S)
14	Gasket burner/tank		0192331(S)	0192331(S)	0192331(S)	0192331(S)
15	Hot water outlet nipple		0304017(S)	0304017(S)	0304017(S)	0304017(S)
16	Temp.sensor T1 (bottom tank)		0304004(S)	0304004(S)	0304004(S)	0304004(S)
17	Cover plate cleaning opening		0039137002/24(S)	0039137002/24(S)	0039137002/24(S)	0039137002/24(S)
18	Cleaning opening kit		0305082(S)	0305082(S)	0305082(S)	0305082(S)
19	Cold water supply nipple		0070615(S)	0070615(S)	0070615(S)	0070615(S)
20	Drain valve		0026273004(S)	0026273004(S)	0026273004(S)	0026273004(S)
21	Bend		0304986(S)	0304029(S)	0304029(S)	0304029(S)
22	Adapter		0304984(S)	0192636(S)	0192636(S)	0192636(S)
23	Siphon		0304988(S)	0306181(S)	0306181(S)	0306181(S)
24	Fan		0304104(S)	0304104(S)	0304104(S)	0304104(S)
25	Flue gas thermostat		0304301(S)	0304301(S)	0304301(S)	0304301(S)

nr	description	date	before 06-04-'07 80	before 06-04-'07 100	80	100
1	Burner		0306339(S)	0306340(S)	0197315(S)	0197315(S)
2	Gasket fan/burner	before 19-01-'09 after 19-01-'09	0304961(S) -	0304961(S) -	0308202(S) 0309067(S)	0308202(S) 0309067(S)
3	Fan		0194746(S)	0194746(S)	0197322(S)	0197322(S)
4	Flame probe		0194776001(S)	0194776001(S)	0194776002(S)	0194776002(S)
5	Hot surface igniter	before 01-06-'05 after 01-06-'05 before 18-01-'09 after 19-01-'09	0307308(S) 0306338(S) - -	0307301(S) 0306338(S) - -	- 0308204(S) 0308204(S) 0309065(S)	- 0308204(S) 0308204(S) 0309065(S)
6	Frequency controller		0305805(S)	0305805(S)	0305805(S)	0305805(S)
7	EMC-Filter		0305806(S)	0305806(S)	0305806(S)	0305806(S)
8	PCB interface	before 31-07-'06 after 01-08-'06	n.a. 0307490(S)	n.a. 0307490(S)	n.a. 0307490(S)	n.a. 0307490(S)
9	Automatic air bleed		0305516(S)	0305516(S)	-	-
10	Line commutation choke		-	-	0306690(S)	0306690(S)
11	Circulation pump		0305515(S)	0305515(S)	-	-
14	Power anode		0302757(S)	0302757(S)	0302757(S)	0302757(S)
15	Flexible hose (water)		0305960(S)	0305960(S)	-	-
16	Flexible hose (air)		0305504(S)	0305504(S)	0305504(S)	0305504(S)
17	Gasket burner/tank		0192331(S)	0192331(S)	0308266(S)	0308266(S)
18	Chimney adaptor		n.a.	n.a.	n.a.	n.a.
19	Temp.sensor T2 (top tank)		0304005(S)	0304005(S)	0304005(S)	0304005(S)
20	Hot water outlet nipple		0304017(S)	0304017(S)	0304017(S)	0304017(S)
21	ThermoControl		0308578(S)	0308578(S)	0308582(S)	0308582(S)
22	Y-piece duct		0304012(S)	0304012(S)	0304683(S)	0304683(S)
23	Cleaning opening kit		0305082(S)	0305082(S)	0305082(S)	0305082(S)
24	Cover plate cleaning opening		0039137002/24(S)	0039137002/24(S)	0039137002/24(S)	0039137002/24(S)
25	Drain valve		0026273004(S)	0026273004(S)	0026273004(S)	0026273004(S)
26	Cold water inlet nipple		0070615(S)	0070615(S)	0070615(S)	0070615(S)
27	Temp.sensor T1 (bottom tank)		0304004(S)	0304004(S)	0304004(S)	0304004(S)
28	Bend		0304029(S)	0304029(S)	0304029(S)	0304029(S)
29	Adapting socket		0192636(S)	0192636(S)	0308196(S)	0308196(S)
30	Siphon		0306181(S)	0306181(S)	0306181(S)	0306181(S)
31	Gas control		0306189(S)	0306189(S)	0306189(S)	0306189(S)
32	Clamping strip		0304199(S)	0304199(S)	0304199(S)	0304199(S)
33	Air pressure switch		0305490(S)	0305491(S)	0308271(S)	n.a.
34	Potentiostat		0306160(S)	0306160(S)	0306160(S)	0306160(S)
35	Flue gas sensor		0304301(S)	0304301(S)	0304301(S)	0304301(S)

Parts that are marked yellow  
are parts that are used for maintenance.

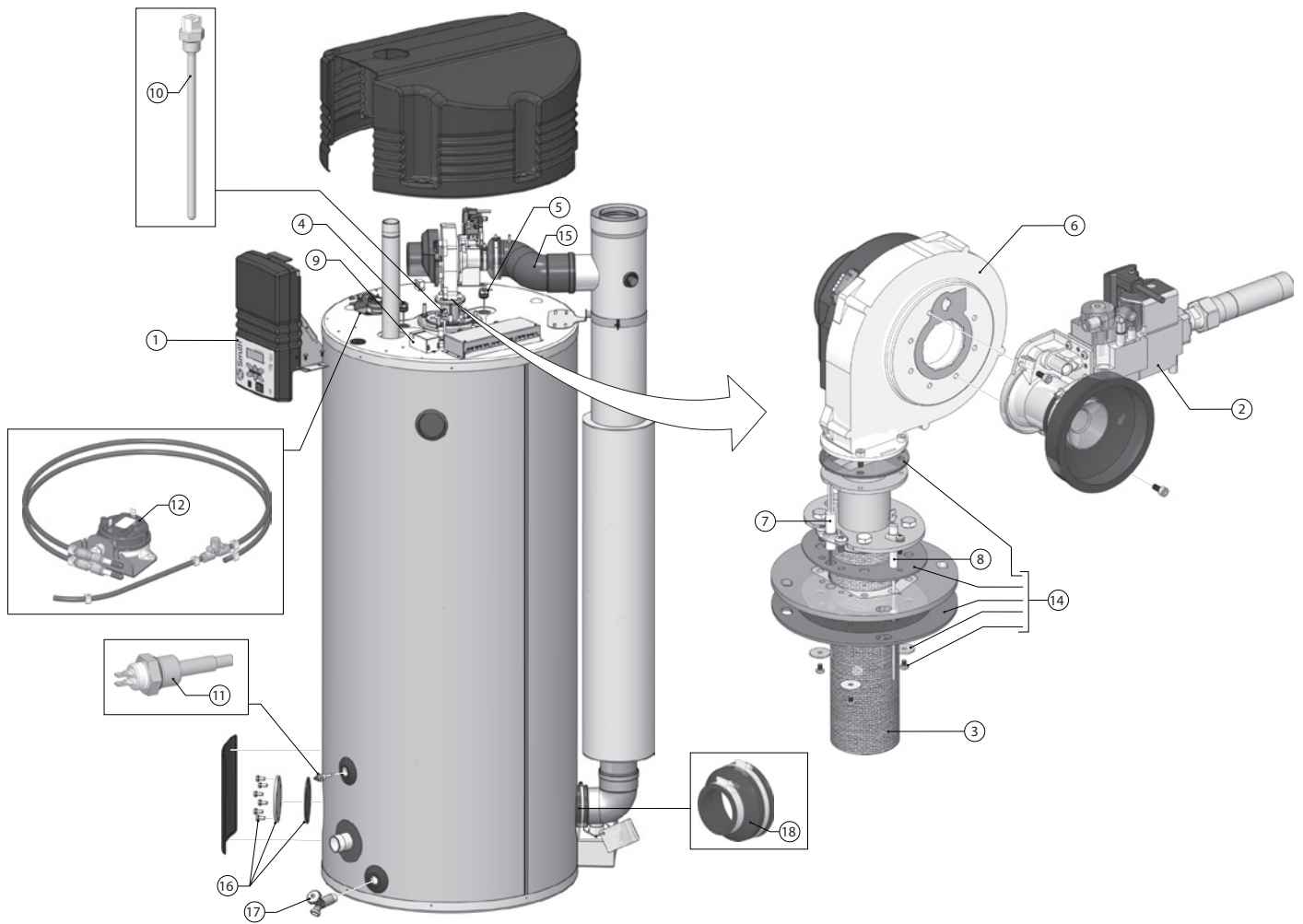
# BFC Cyclone before 14-09-'09

## BFC Cyclone accessories



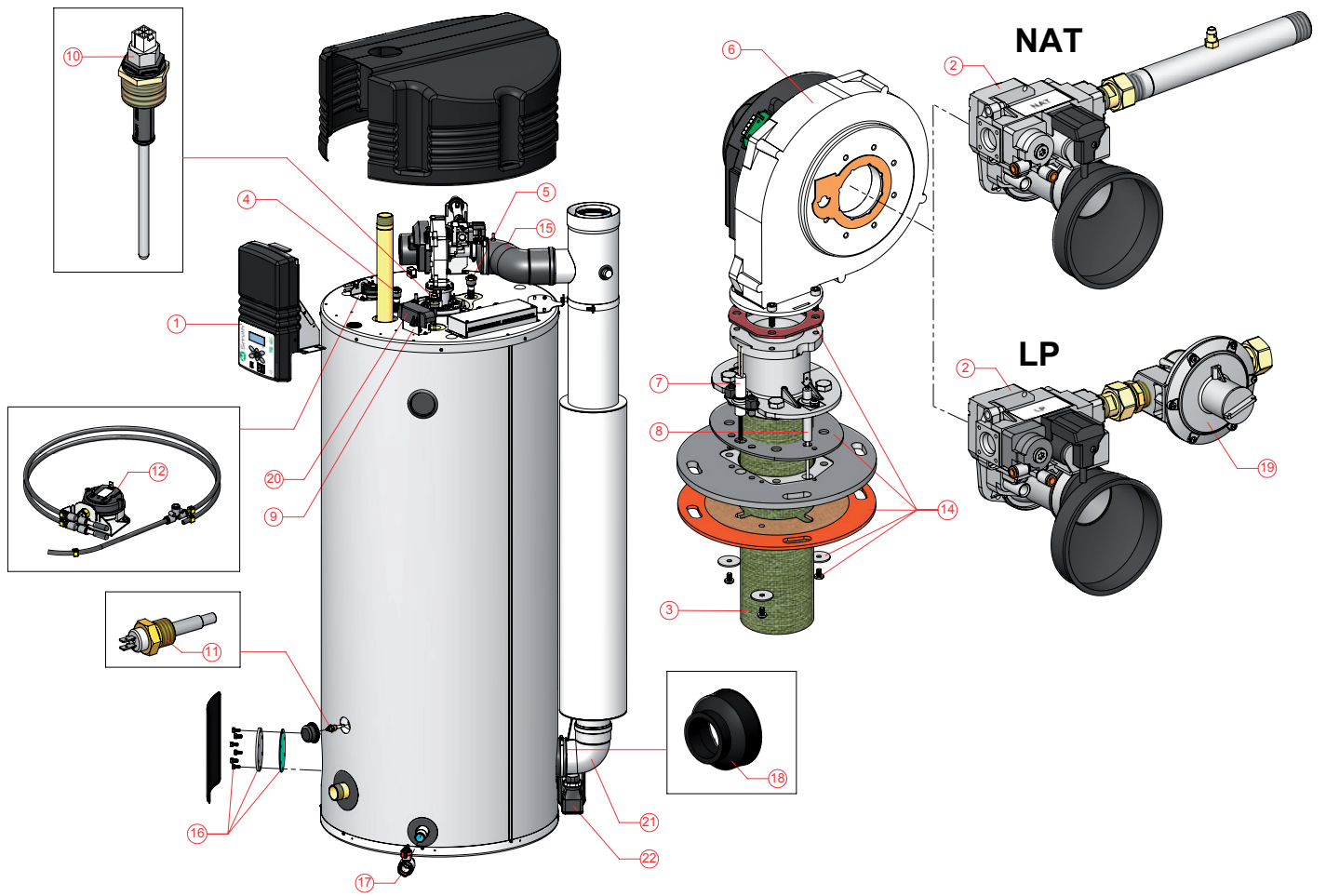
description	date	28	30	50	60	80	100
Conversion set to LP-gas	before 6-4-'07	n.a.	n.a.	n.a.	n.a.	0306806(S)	0306809(S)
Conversion set to LP-gas	after 6-4-'07	n.a.	n.a.	n.a.	n.a.	0309059(S)	0309061(S)
Conversion set to NAT-gas	before 6-4-'07	n.a.	n.a.	n.a.	n.a.	0306807(S)	0306810(S)
Conversion set to NAT-gas	after 6-4-'07	n.a.	n.a.	n.a.	n.a.	0309060(S)	0309062(S)
Inlet security group G1"		0070066003(S)	0070066003(S)	0070066003(S)	0070066003(S)	0070066003(S)	0070066003(S)
Isolating transformer kit		0306054(S)	0306054(S)	0306054(S)	0306054(S)	0306054(S)	0306054(S)
Gas Cock		0300719(S)	0300719(S)	0300719(S)	0300719(S)	0300719(S)	0300719(S)
Reducing Nipple Rp 1½ x 22		0309411(S)	0309411(S)	0309411(S)	0309411(S)	0309411(S)	0309411(S)
Reducing Nipple Rp 1½ x 28		0309412(S)	0309412(S)	0309412(S)	0309412(S)	0309412(S)	0309412(S)
Reducing Nipple Rp 1½ x 35		n.a.	n.a.	n.a.	n.a.	n.a.	n.a.
Potential free switch kit		0306056(S)	0306056(S)	0306056(S)	0306056(S)	0306056(S)	0306056(S)
Power anode set		0309216(S)	0309217(S)	0309217(S)	0309217(S)	0309217(S)	0309217(S)

Exploded view BFC Cyclone 28-60 from 14-09-'09 until 03-02-'13



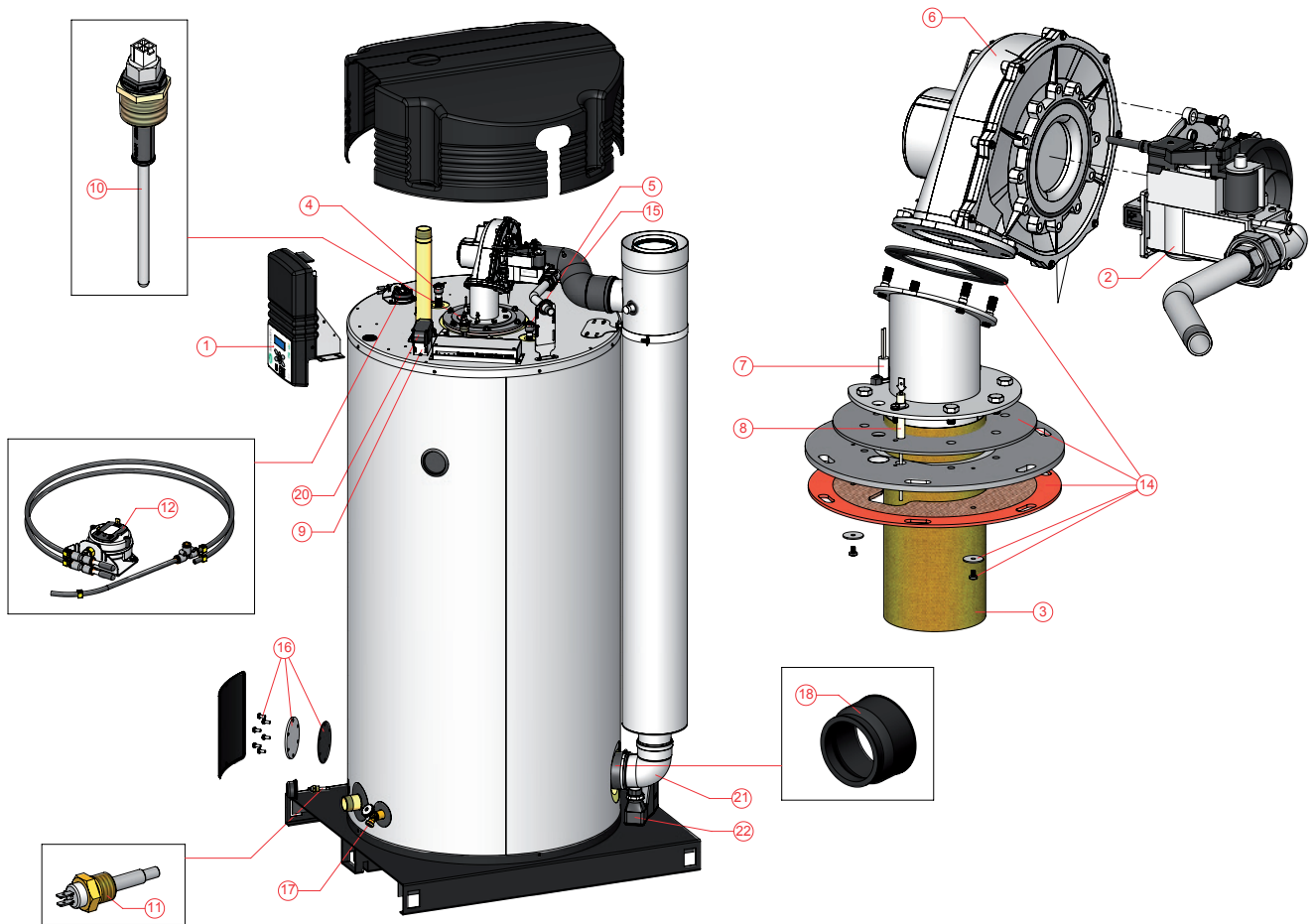
EVD-0052 R0

# Exploded view BFC Cyclone 28-60 after 04-02-'13



EVD-0052 R4

# Exploded view BFC Cyclone 80-120 after 14-09-'09



EVD-0053 R2



# BFC Cyclone after 14-09-'09

## BFC parts

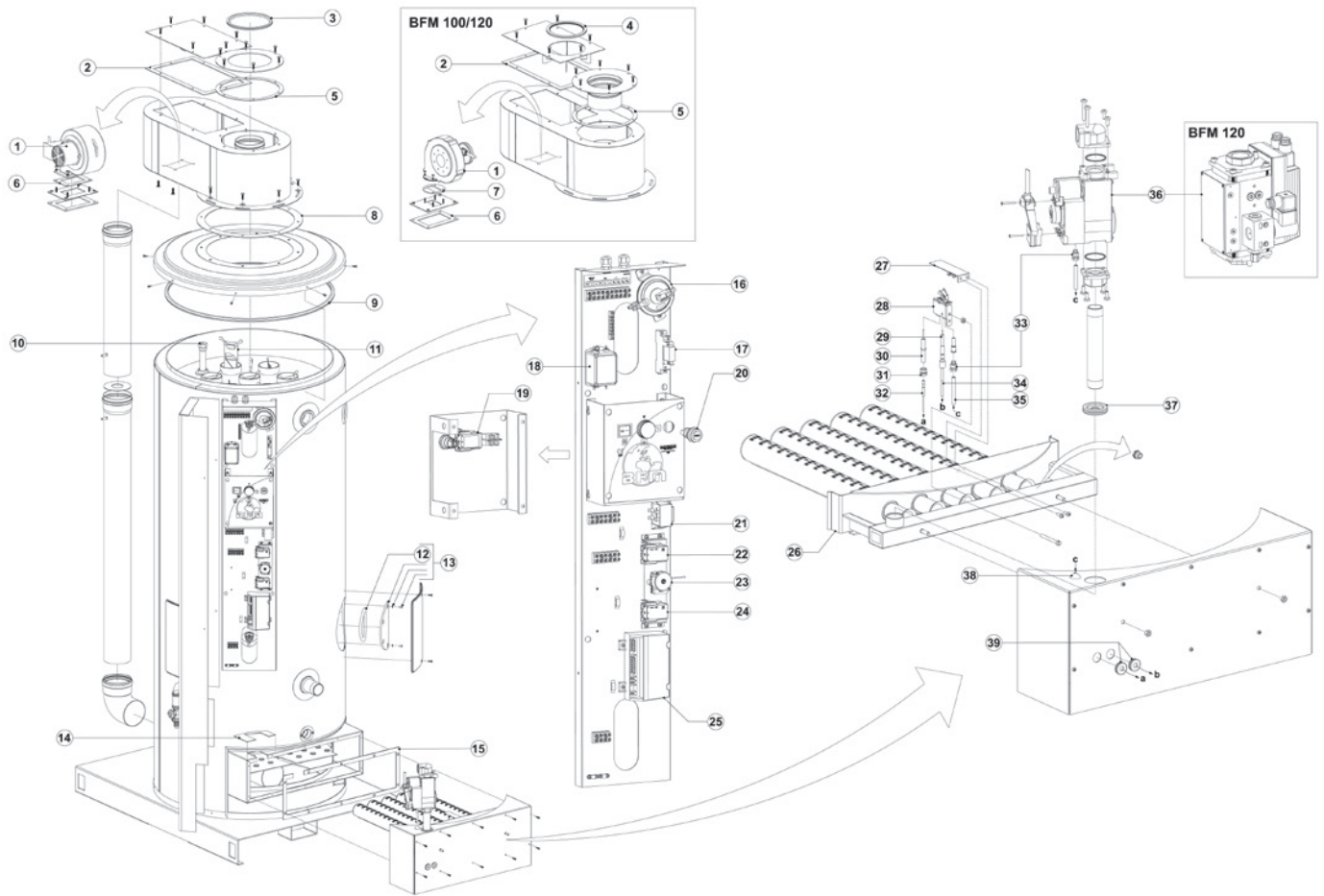
nr	Description	date	28	30	50	60	80	100	120
1	Control	before 28-07-'13	0311159(S)	0311159(S)	0311159(S)	0311159(S)	0311159(S)	0311159(S)	0311159(S)
		after 29-07-'13							
2	Gas control (NAT)	before 03-02-'13	0310186(S)	0310186(S)	0310186(S)	0310186(S)	-	-	-
		after 04-02-'13	0310155(S)	0310155(S)	0310155(S)	0310155(S)	-	-	-
	Gas control (LP)	before 03-02-'13	0310188(S)	0310188(S)	0310188(S)	0310188(S)	-	-	-
		after 04-02-'13	0310157(S)	0310157(S)	0310157(S)	0310157(S)	-	-	-
3	Burner		0309297(S)	0309297(S)	0309297(S)	0309297(S)	0309125(S)	0309125(S)	0309125(S)
4	Power anode		-	0197709(S)	0197709(S)	0197709(S)	0197709(S)	0197709(S)	0197709(S)
5	Power anode		0197710002(S)	0197710(S)	0197710(S)	0197710(S)	0197710(S)	0197710(S)	0197710(S)
6	Fan		0309159(S)	0309159(S)	0309159(S)	0309159(S)	0309119(S)	0309119(S)	0309119(S)
7	Glow-igniter		0309232(S)	0309232(S)	0309232(S)	0309232(S)	0309232(S)	0309232(S)	0309232(S)
8	Flame probe		0310075(S)	0310075(S)	0310075(S)	0310075(S)	0310075(S)	0310075(S)	0310075(S)
9	Potentiostat		0306160(S)	0306160(S)	0306160(S)	0306160(S)	0306160(S)	0306160(S)	0306160(S)
10	Temperature sensor (top of tank)		0311295(S)	0311295(S)	0311295(S)	0311295(S)	0311295(S)	0311295(S)	0311295(S)
11	Temperature sensor (bottom of tank)		0308149(S)	0308149(S)	0308149(S)	0308149(S)	0308149(S)	0308149(S)	0308149(S)
12	Differential air pressure switch		0309169(S)	0309169(S)	0309169(S)	0309169(S)	0309331(S)	0309331(S)	0309331(S)
13	Harness		0309136(S)	0309136(S)	0309136(S)	0309136(S)	0309136(S)	0309136(S)	0309136(S)
14	Gaskets		0309608(S)	0309608(S)	0309608(S)	0309608(S)	0309609(S)	0309609(S)	0309609(S)
15	Air-inlet		0309148(S)	0309148(S)	0309148(S)	0309148(S)	0309129(S)	0309129(S)	0309129(S)
16	Cleaning opening		0305082(S)	0305082(S)	0305082(S)	0305082(S)	0305082(S)	0305082(S)	0305082(S)
17	Drain valve	before 03-10-'10	0026273004(S)	0026273004(S)	0026273004(S)	0026273004(S)	0026273004(S)	0026273004(S)	0026273004(S)
		after 04-10-'10	0308997(S)	0308997(S)	0308997(S)	0308997(S)	0026273004(S)	0026273004(S)	0026273004(S)
18	Plastic adapting socket (exit heat exchanger)		0192636(S)	0192636(S)	0192636(S)	0192636(S)	0308196(S)	0308196(S)	0308196(S)
19	Reducing valve	after 31-10-'12	0310180(S)	0310180(S)	0310180(S)	0310180(S)	-	-	-
20	Cover Potentiostat	after 04-05-'15	0311486(S)	0311486(S)	0311486(S)	0311486(S)	0311486(S)	0311486(S)	0311486(S)
21	Bend (with siphon connection)		0304029(S)	0304029(S)	0304029(S)	0304029(S)	0304029(S)	0304029(S)	0304029(S)
22	Siphon		0306181(S)	0306181(S)	0306181(S)	0306181(S)	0306181(S)	0306181(S)	0306181(S)
-	Cable gas valve		0309336(S)	0309336(S)	0309336(S)	0309336(S)	0309336(S)	0309336(S)	0309336(S)

## BFC accessories

Description	date	28	30	50	60	80	100	120
Conversion set to LP-gas	before 03-02-'13	0309540(S)	0309540(S)	0309540(S)	0309540(S)	-	-	-
	after 04-02-'13	0310936(S)	0310936(S)	0310936(S)	0310936(S)	-	-	-
		-	-	-	-	0309542(S)	0309542(S)	0309542(S)
Conversion set to NAT-gas	before 03-02-'13	0309541(S)	0309541(S)	0309541(S)	0309541(S)	-	-	-
	after 04-02-'13	0312594(S)	0312594(S)	0312594(S)	0312594(S)	-	-	-
		-	-	-	-	0312595(S)	0312595(S)	0312595(S)
Gas cock		0300719(S)	0300719(S)	0300719(S)	0300719(S)	0300719(S)	0300719(S)	0300719(S)
Inlet security group G1 "		0070066003(S)	0070066003(S)	0070066003(S)	0070066003(S)	0070066003(S)	0070066003(S)	0070066003(S)
T&P Valve 1" NO WRAS		0099383005(S)	0099383005(S)	0099383005(S)	0099383005(S)	0099383005(S)	0099383005(S)	0099383005(S)
Reducing Nipple (for T&P)		0306713(S)	0306713(S)	0306713(S)	0306713(S)	0306713(S)	0306713(S)	0306713(S)
Reducing Nipple Rp 1½ x 22		0309411(S)	0309411(S)	0309411(S)	0309411(S)	0309411(S)	0309411(S)	0309411(S)
Reducing Nipple Rp 1½ x 28		0309412(S)	0309412(S)	0309412(S)	0309412(S)	0309412(S)	0309412(S)	0309412(S)
Reducing Nipple Rp 1½ x 35		n.a.	n.a.	n.a.	n.a.	n.a.	n.a.	n.a.
Isolation transformer		0309887(S)	0309887(S)	0309887(S)	0309887(S)	0309887(S)	0309887(S)	0309887(S)
BMS interface		0310013(S)	0310013(S)	0310013(S)	0310013(S)	0310013(S)	0310013(S)	0310013(S)

Parts that are marked yellow are parts that are used for maintenance.

# Exploded view BFM



EVD-0010

# BFM

## BFM parts



no	description	date	30	50	80	100	120
1	Fan	after 7-5-'04	0306689(S)	0306689(S)	0306689(S)	0306687(S)	0306687(S)
	Fanservice kit	before 7-5-'04	0307257(S)	0306887(S)	0306888(S)	0306687(S)	0306687(S)
2	Gasket topbox/cover		0306712(S)	0306712(S)	0306712(S)	0306712(S)	0306712(S)
3	Sealing ring flue gas discharge		0302466(S)	0302465(S)	0302312(S)	-	-
4	Sealing ring air supply		-	-	-	0306784(S)	0306784(S)
5	Gasket topbox/flue reducer		0303976(S)	0303976(S)	0303976(S)	0303976(S)	0303976(S)
6	Gasket fan/bracket		0302223(S)	0302223(S)	0302223(S)	0304022(S)	0304022(S)
7	Gasket topbox/fan		0306384(S)	0306384(S)	0306384(S)	0306384(S)	0306384(S)
8	Gasket topcover/topbox		0302222(S)	0302222(S)	0302222(S)	0302222(S)	0302222(S)
9	Sealing ring tank/cover		0305098(S)	0305098(S)	0305098(S)	0305098(S)	0305098(S)
10	Anode		0183463039(S) (2x)	0183463039(S) (2x)	0183463039(S) (4x)	0183463039(S) (4x)	0183463039(S) (4x)
	Flexible anode		0304728(S) (2x)	0304728(S) (2x)	0304728(S) (4x)	0304728(S) (4x)	0304728(S) (4x)
11	Flue baffle		0192121(S) (5x)	0192121(S) (7x)	0192121(S) (16x)	0192121002(S) (16x)	0192121002(S) (16x)
12	Sealing ring cleaning opening		0304741(S)	0304741(S)	0304741(S)	0304741(S)	0304741(S)
13	Cleaning opening service kit		0301125(S) (2x)	0301125(S) (2x)	0301125(S) (2x)	0301125(S) (2x)	0301125(S) (2x)
14	Gasket top combustion chamber/burner tray		0302220(S)	0302220(S)	0302220(S)	0302220(S)	0302220(S)
15	Gasket front combustion chamber/burner tray		0302219(S)	0302219(S)	0302219(S)	0302219(S)	0302219(S)
16	Air pressure switch	before 11-04-'05	0305488(S)	-	-	-	-
		after 12-04-'05	0307251(S)	-	-	-	-
		after 07-05-'04	-	0305488(S)	-	-	-
			-	-	0305487(S)	-	-
			-	-	-	0306693(S)	0306694(S)
17	Relais		0305472(S)	0305472(S)	0305472(S)	0305472(S)	0305472(S)
18	EMC-Filter		0305486(S)	0305486(S)	0305486(S)	0305486(S)	0305486(S)
19	Control thermostat		0302989(S)	0302989(S)	0302989(S)	0302989(S)	0302989(S)
20	Reset button		0301948(S)	0301948(S)	0301948(S)	0301948(S)	0301948(S)
21	Transformer		0302212(S)	0302212(S)	0302212(S)	0302212(S)	0302212(S)
22	High-limit thermostat		0302991(S)	0302991(S)	0302991(S)	0302991(S)	0302991(S)
23	Safety thermostat		0300674(S)	0300674(S)	0300674(S)	0300674(S)	0300674(S)
24	Frost thermostat		0302990(S)	0302990(S)	0302990(S)	0302990(S)	0302990(S)
25	Burner control		0301960(S)	0301960(S)	0301960(S)	0301960(S)	0301960(S)
26	Burner tray		0302720(S)	0302721(S)	0302722(S)	0302722(S)	0302722(S)
27	Protection plate pilot flame		0302320(S)	0302320(S)	0302320(S)	0302320(S)	0302320(S)
28	Pilot burner		0301086(S)	0301086(S)	0301086(S)	0301086(S)	0301086(S)
29	Ignition electrode		0303685(S)	0303685(S)	0303685(S)	0303685(S)	0303685(S)
30	Flame probe		0071608(S)	0071608(S)	0071608(S)	0071608(S)	0071608(S)
31	Cap nut		0302419(S)	0302419(S)	0302419(S)	0302419(S)	0302419(S)
32	Ionisation electrode cable		0305645(S)	0305645(S)	0305645(S)	0305645(S)	0305645(S)
33	Compression fitting		0070300002(S)	0070300002(S)	0070300002(S)	0070300002(S)	0070300002(S)
34	Ignition electrode cable		0305646(S)	0305646(S)	0305646(S)	0305646(S)	0305646(S)
35	Pilot tube		0070800003(S)	0070800003(S)	0070800003(S)	0070800003(S)	0070800003(S)
36	Gas control (NAT)		0301961(S)	0301961(S)	0301961(S)	0301961(S)	0306772(S)
	Gas control (LP)		0302209(S)	0302209(S)	0302209(S)	0302209(S)	0306772(S)
	Sealing set 37+38+39		0302258(S)	0302258(S)	0302258(S)	0302258(S)	0302258(S)
	Pilot burner (NAT)		0301954(S)	0301954(S)	0301954(S)	0301954(S)	0301954(S)
	Pilot burner (LP)		0302291(S)	0302291(S)	0302291(S)	0302291(S)	0302291(S)

## BFM accessories

description	date	30	50	80	100	120
Conversion set to NAT-gas		0302689(S)	0302690(S)	0302691(S)	0306830(S)	0306831(S)
Inlet security group G1"		0070066003(S)	0070066003(S)	0070066003(S)	0070066003(S)	0070066003(S)
T&P valve 1" NO WRAS		0099383005(S)	0099383005(S)	0099383005(S)	0099383005(S)	0099383005(S)
Power anode kit	after 01-02-'06	0308017(S)	0308017(S)	0308017(S)	0308017(S)	0308017(S)
Power anode kit	before 01-02-'06	n.a.	n.a.	n.a.	0308017(S)	0308017(S)
Gas Cock		0300719(S)	0300719(S)	0300719(S)	0300719(S)	0300719(S)
Electrical anode set	before 02-12-'05	n.a.	n.a.	n.a.	0308017(S)	0308017(S)
Electrical anode set	after 2-12-'05	0308017(S)	0308017(S)	0308017(S)	0308017(S)	0308017(S)
Electrical anode set 232 mm	before 02-12-'05	0306161(S)	0306161(S)	0306161(S)	0306161(S)	0306161(S)
Electrical anode set 402 mm	before 02-12-'05	0306360(S)	0306360(S)	0306360(S)	0306360(S)	0306360(S)
Electrical anode set 300mm	after 03-12-'05	0307448(S)	0307448(S)	0307448(S)	0307448(S)	0307448(S)
Potentiostat		0306160(S)	0306160(S)	0306160(S)	0306160(S)	0306160(S)
LED		0306162(S)	0306162(S)	0306162(S)	0306162(S)	0306162(S)
Cover plate	before 02-12-'05	0306621(S)	0306621(S)	0306621(S)	0306621(S)	0306621(S)
Reducing nipple 1½" x 1"NPT		-	-	0308812(S)	0308812(S)	0308812(S)
Inlet security group DN40		0309927(S)	0309927(S)	0309927(S)	0309927(S)	0309927(S)

Parts that are marked yellow are parts that are used for maintenance.

## BTA / BTC / BTR

### BTA / BTC parts

description	155-500
Anode	0183463039(S)
Thermostat box BTA	n.a.
Thermostat box BTC	n.a.
Control/Frost thermostat 73°	0303941(S)
High-limit thermostat 84°	0302991(S)
Safety thermostat 95°	0300457(S)
Timer	0301023(S)
Gas control (NAT)	0070115(S)
Gas control (LP)	0070115002(S)
Safety gas control BTC	n.a.
Main burner	0304891(S)
Main burner ignition	0304892(S)
Pilot burner set	0304414(S)
Thermo couple	0070404(S)
Electrode ignition	0070436(S)
Piezo ignition	0307596(S)
Flue damper 155/197/251/270	n.a.
Flue damper 365/500	n.a.
Pilot Protector	n.a.
Pilot Protector mounted	0070317002(S)
Flue baffle 155/270	n.a.
Flue baffle 197	n.a.
Flue baffle 251/365/500	n.a.

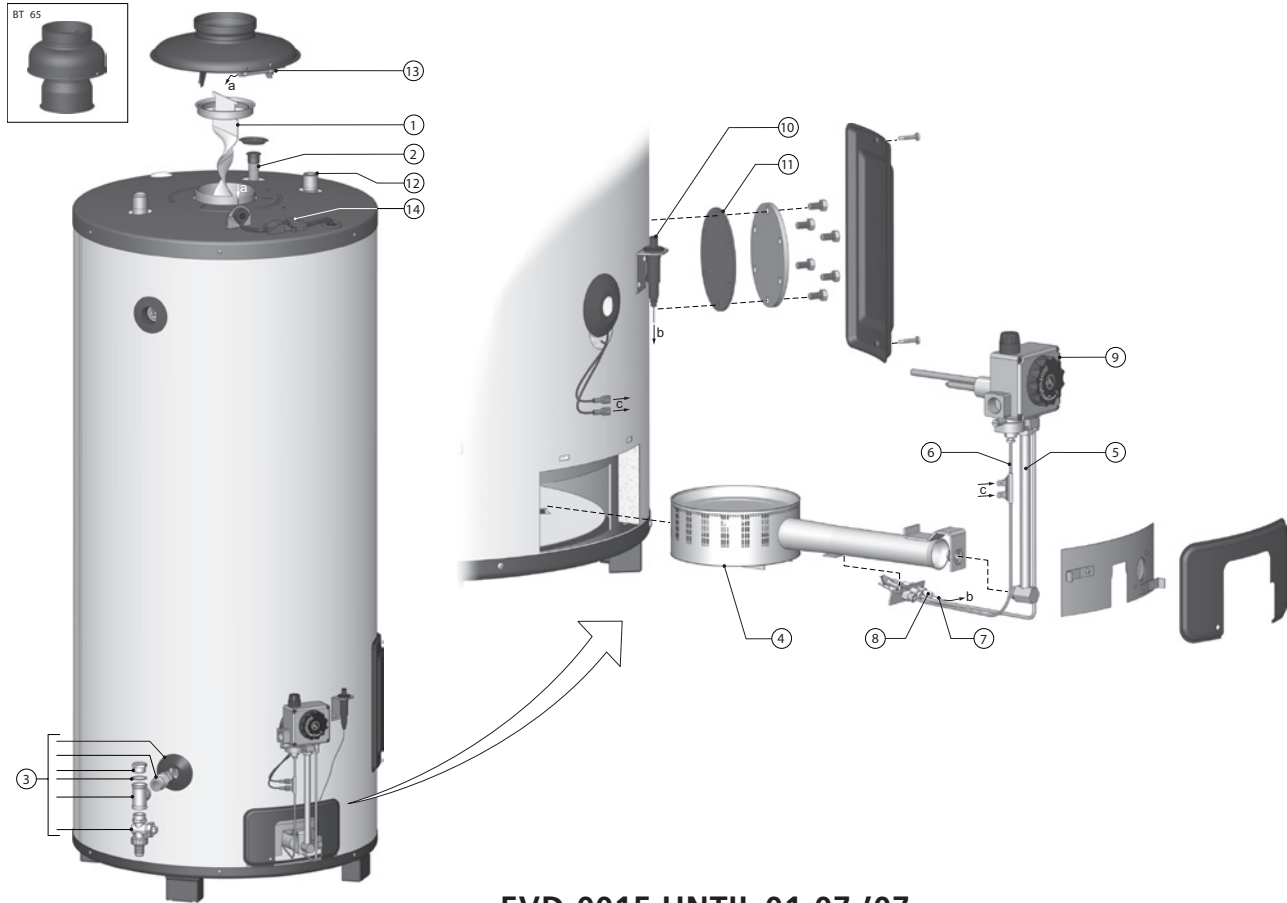
### BTR parts

description	155-500
Anode	0183463039(S)
Thermostat box BTR	n.a.
Sensor control thermostat	0300222001(S)
Sensor high-limit thermostat	0300222001(S)
BT Tronic service kit before 05-'00	n.a.
BT Tronic service kit after 05-'00	n.a.
Gas control (NAT)	0070115(S)
Gas control (LP)	0070115002(S)
Safety gas control BTR	n.a.
Main burner	0304891(S)
Main burner ignition	0304892(S)
Pilot burner	0304414(S)
Thermocouple	0070404(S)
Electrode ignition	0301167(S)
Piezo ignition	0307596(S)
Flue damper 155/197/251/270	0306648(S)
Flue damper 365/500	n.a.
Flue baffle 155/270	n.a.
Flue baffle 197	n.a.
Flue baffle 251/365/500	n.a.

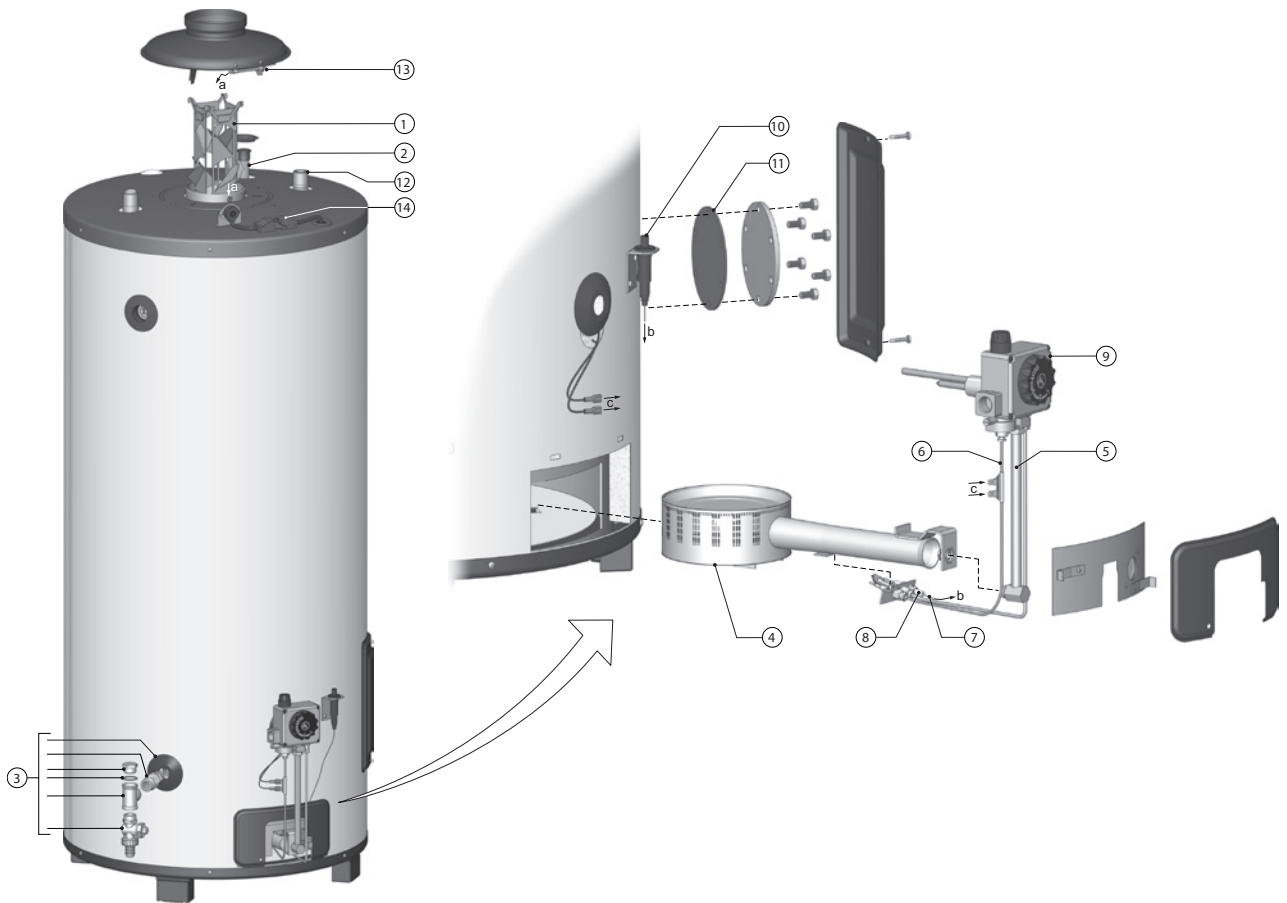
Remark:  
 Drawings of the BTA, BTC and BTR water heaters are not available

Parts that are marked yellow  
 are parts that are used for maintenance.

**Exploded view BT**



**EVD-0015 UNTIL 01-07-'07**



**EVD-0040 Cross-fired flue AFTER 01-07-'07**



# BT

## BT parts



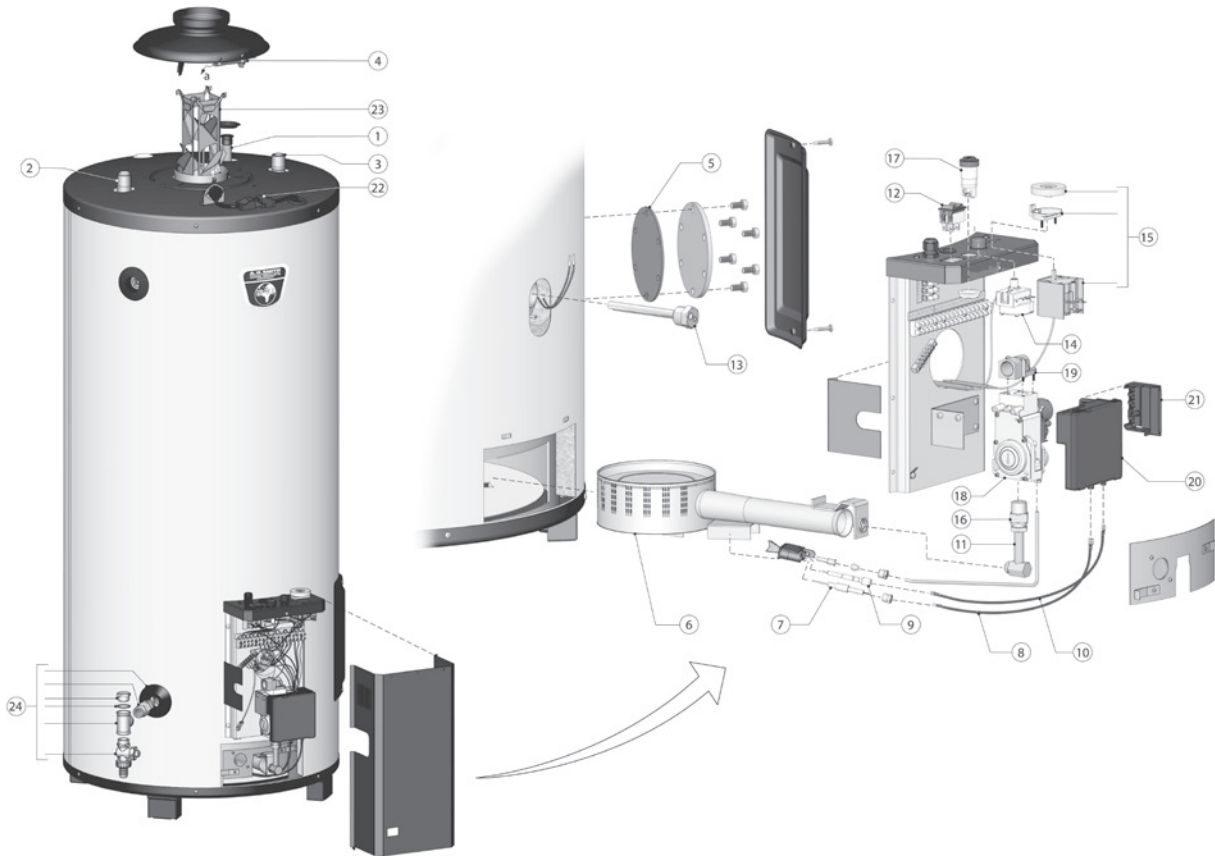
no	description	date	65	85	100
1	Flue baffle	until 01-07-'07	0301340(S)	0070239(S)	0301429(S)
		from 01-07-'07	0301340(S)	0196172001(S)	0196172001(S)
2	Anode		0183463039(S)	0183463039(S)	0183463050(S)
	Flexible anode		0304728(S)	0304728(S)	0304728(S)
3	Drain valve		0301022(S)	0301022(S)	0301022(S)
4	Burner		0301398(S)	0301399(S)	0301400(S)
5	Burner tube		0300937(S)	0301839(S)	0301839(S)
6	Thermo couple		0071872(S)	0071872(S)	0071872(S)
7	Ignition cable		0303927(S)	0303927(S)	0303927(S)
8	Electrode ignition		0071608(S)	0071608(S)	0071608(S)
9	Gas control (NAT)		0300949(S)	0300949(S)	0300949(S)
	Gas control (LP)		0301914(S)	0301914(S)	0301914(S)
10	Piezo ignition		0307596(S)	0307596(S)	0307596(S)
11	Gasket inspection opening		0301136(S)	0301136(S)	0301136(S)
12	Cold water inlet		0184812(S)	0194132029(S)	0194134030(S)
13	Thermostat roll-out protection	until 04-10-'98	0071587(S)	0071587002(S)	0071587002(S)
		05-10-'98 - 06-11-'02	0301275(S)	0301274(S)	0301274(S)
		07-11-'02 - 30-06-'07	0305347(S)	0305345(S)	0305345(S)
		from 01-07-'07	0305347(S)	0308237(S)	0308237(S)
14	Thermostat roll-out protection connection cable		0305346(S)	0305346(S)	0305346(S)
	Pilot burner (NAT)		0301820(S)	0301820(S)	0301820(S)
	Pilot burner (LP)		0304586(S)	0304586(S)	0304586(S)

## BT accessories

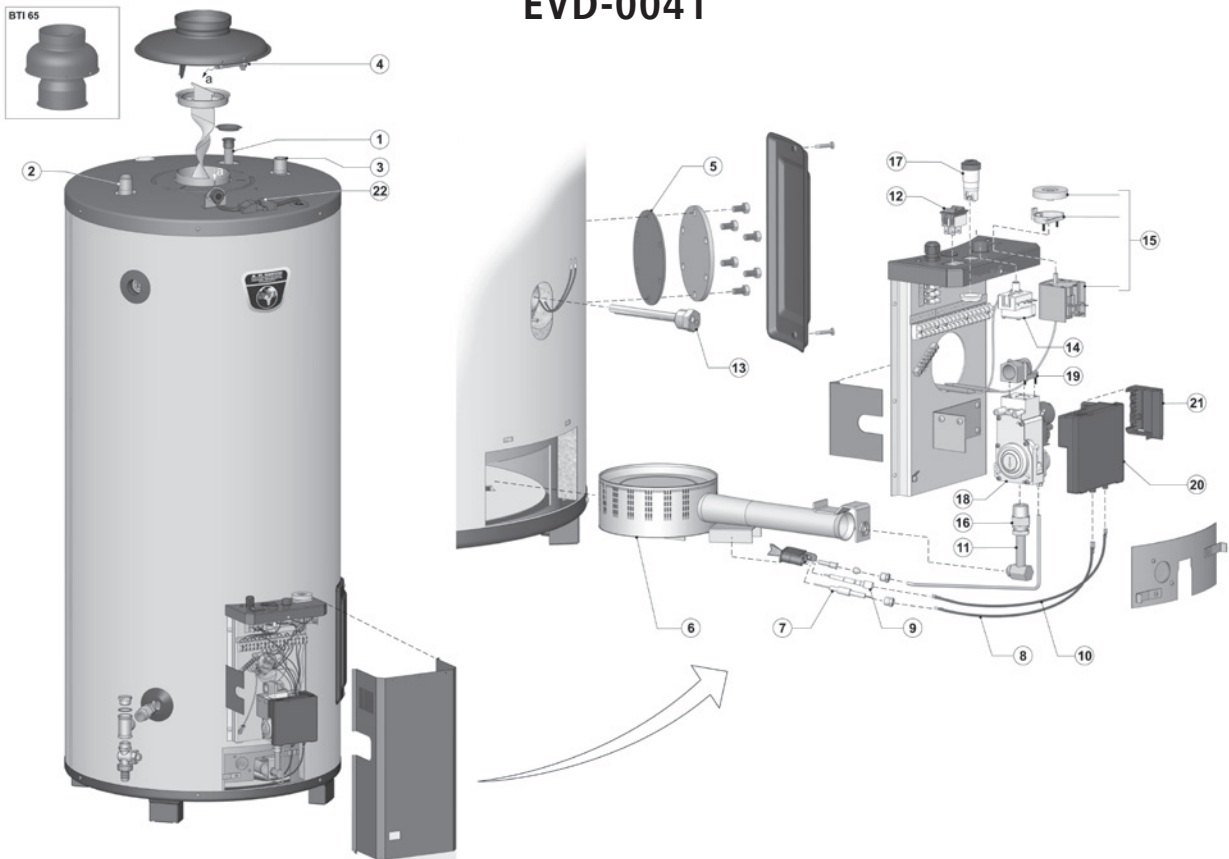
description	date	65	85	100
Conversion set to LP-gas	until 01-07-'07	0301462(S)	0301464(S)	0301466(S)
	from 01-07-'07	0301462(S)	0308281(S)	0308282(S)
Conversion set to NAT-gas	until 01-07-'07	0301792(S)	0301794(S)	0301796(S)
	from 01-07-'07	0301792(S)	0308283(S)	0308284(S)
Clean Out Service Kit		0305082(S)	0305082(S)	0305082(S)
Inlet Security Group 3/4" sfr		0302706(S)	0302706(S)	0302706(S)
Power anode kit	from 01-08-'06	0308015(S)	0308015(S)	0308015(S)
Inlet security group DN32		-	-	0309926(S)
Expansion valve		0305712(S)	0305712(S)	0305712(S)
T&P Valve 3/4" NO WRAS		0076527004(S)	0076527004(S)	0076527004(S)
Gas cock		0300718(S)	0300718(S)	0300718(S)

Parts that are marked yellow are parts that are used for maintenance.

Exploded view BTI



EVD-0041



EVD-0026

# BTI

## BTI parts



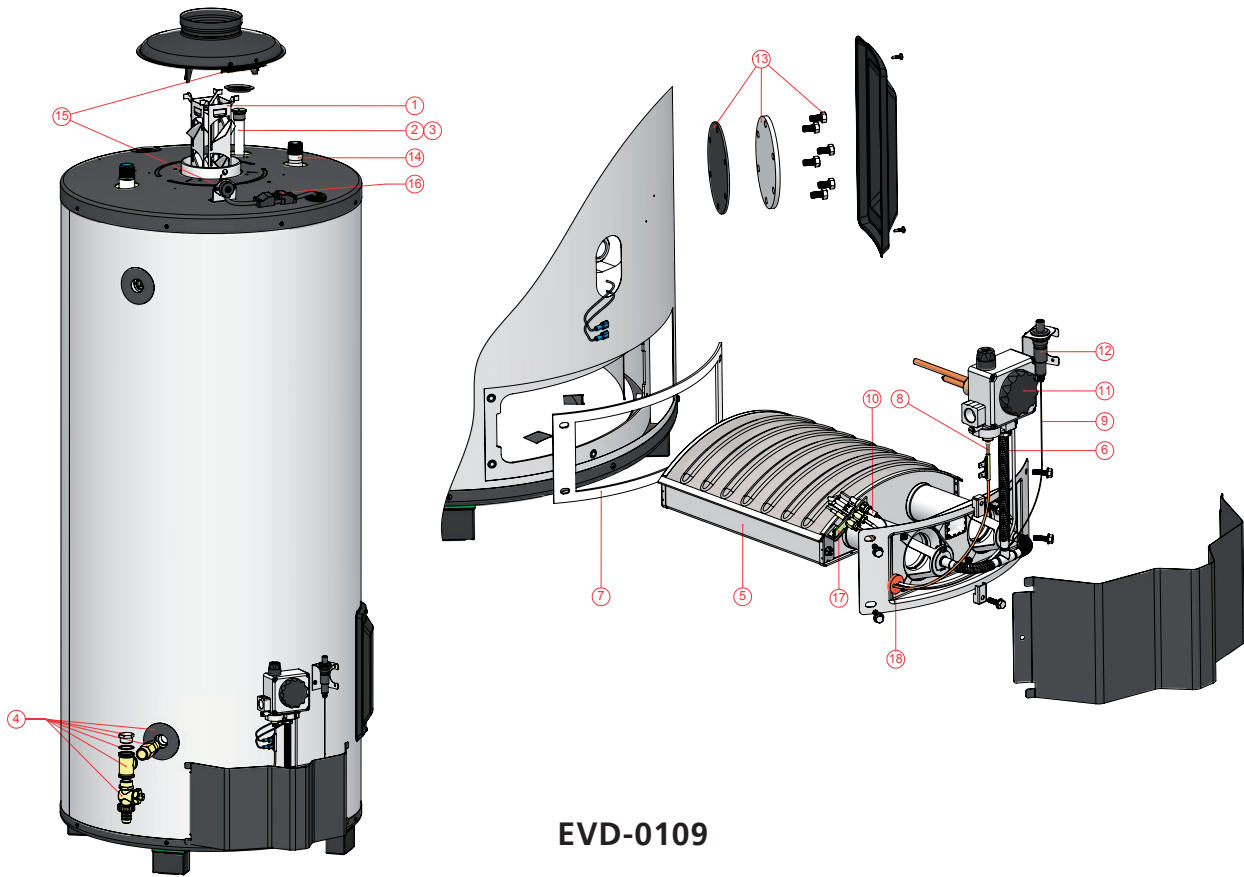
no	description	date	65	85	100
1	Anode		0183463039(S)	0183463039(S)	0183463050(S)
	Flexible anode		0304728(S)	0304728(S)	0304728(S)
2	Hot water outlet nipple		0194130002(S)	0194139(S)	0194135(S)
3	Cold water inlet		0184812(S)	0194132029(S)	0194134030(S)
4	Thermostat roll-out protection	before 01-07-'07	0305347(S)	0305345(S)	0305345(S)
		after 01-07-'07	0305347(S)	0308237(S)	0308237(S)
5	Gasket inspection opening		0301136(S)	0301136(S)	0301136(S)
6	Burner		0303236(S)	0303237(S)	0303238(S)
7	Ionisation electrode		0301964(S)	0301964(S)	0301964(S)
8	Ionisation cable		0303728(S)	0303728(S)	0303728(S)
9	Ignition electrode		0303685(S)	0303685(S)	0303685(S)
10	Ignition cable		0303729(S)	0303729(S)	0303729(S)
11	Burner tube		0303094(S)	0303481(S)	0303481(S)
12	Switch ON/OFF		0303010(S)	0303010(S)	0303010(S)
13	Immersion well		0307545(S)	0307545(S)	0307545(S)
14	Safety thermostat	before 31-01-'06	0307572(S)	0307572(S)	0307572(S)
		after 31-01-'06	0307557(S)	0307557(S)	0307557(S)
15	Control thermostat		0303031(S)	0303031(S)	0303031(S)
16	Compression fitting		0303150(S)	0303150(S)	0303150(S)
17	Reset button		0301948(S)	0301948(S)	0301948(S)
18	Gas control		0303022(S)	0303022(S)	0303022(S)
19	Elbow flange		0303026(S)	0303026(S)	0303026(S)
20	Automatic burner control		0303023(S)	0303023(S)	0303023(S)
21	Cover		0303025(S)	0303025(S)	0303025(S)
22	Thermostat roll-out protection - connection cable		0305346(S)	0305346(S)	0305346(S)
23	Flue baffle	before 01-07-'07	0301340(S)	0070239(S)	0301429(S)
		after 01-07-'07	0301340(S)	0196172001(S)	0196172001(S)
24	Drain valve kit		0301022(S)	0301022(S)	0301022(S)
	Pilot burner (NAT)		0303472(S)	0303472(S)	0303472(S)
	Pilot burner (LP)		0303473(S)	0303473(S)	0303473(S)

## BTI accessories

description	date	BTI 65	BTI 85	BTI 100
Conversion kit to LP-gas	before 31-01-'07	0303661(S)	0303662(S)	0303663(S)
	after 01-02-'07	0303661(S)	0308285(S)	0308286(S)
Conversion kit to NAT-gas	before 31-01-'07	0303664(S)	0303665(S)	0303666(S)
	after 01-02-'07	0303664(S)	0308287(S)	0308288(S)
Cleaning opening set		0305082(S)	0305082(S)	0305082(S)
Inlet security group 3/4" sfr		0302706(S)	0302706(S)	0302706(S)
Power anode kit		0308015(S)	0308015(S)	0308015(S)
Gas cock		0300718(S)	0300718(S)	0300718(S)
Inlet security group 3/4" sfr		0302706(S)	0302706(S)	0302706(S)
Inlet security group DN32		-	-	0309926(S)

Parts that are marked yellow are parts that are used for maintenance.

Exploded view BTL



EVD-0109

# BTL

## BTL parts



no	description	date	BTL 85	BTL 100
1	Flue Baffle		0196172001(S)	0313200(S)
2	Anode		0183463039(S)	0183463050(S)
3	Flexible anode		0304728(S)	0304728(S)
4	Drain valve kit		0301022(S)	0301022(S)
5	Burner		0313202(S)	0313203(S)
6	Burner tube		0313201(S)	0313201(S)
7	Ceramic fiber paper		0313204(S)	0313204(S)
8	Thermocouple		n.a.	n.a.
9	Cable of piezo ignitor		0313246(S)	0313246(S)
10	Electrode ignition		0071608(S)	0071608(S)
11	Gas Control	NAT	0300949(S)	0300949(S)
		LP	0301914(S)	0301914(S)
12	Piezo igniter		0307596(S)	0307596(S)
13	Clean out service kit		0305082(S)	0305082(S)
14	Tube inlet		0313205(S)	0313206(S)
15	Thermostat roll out assy		0308237(S)	0308237(S)
16	Cable connection TRS		0305346(S)	0305346(S)
17	Compl. pilot burner assy	NAT	0313230(S)	0313230(S)
		LP	0313231(S)	0313231(S)
18	Grommet		0313363(S)	0313363(S)

## BTL accessories

description	date	BTL 85	BTL 100
Conversion set to LP-gas		0313172(S)	0313174(S)
Conversion set to NAT-gas		0313173(S)	0313175(S)
Inlet security group 3/4" sfr		0302706(S)	0302706(S)
T&P valve 3/4" NO WRAS		0076527004(S)	0076527004(S)
Inlet security group DN32		-	0309926(S)
Gas cock		0300718(S)	0300718(S)

# CMC

## CMC parts

description	CMC 24
Boil-dry protection	0303110(S)
Transformer	0303111(S)
Control thermostat	0303151(S)
Safety thermostat	0303152(S)
Solid State relais	0303354(S)
Control light	0303454(S)
Condenser	0303456(S)
Sealing ring elemen	0303459(S)
Anode	0506200016(S)
Element	0501312025(S)
Gasket Element	0501240400(S)
Safety relais switch	0303084(S)
Cooling element	0303355(S)
Fuse 200mA 250V	0303113(S)

**Remark:**

Drawings of the CMC water heaters are not available

# COF + exploded view COF

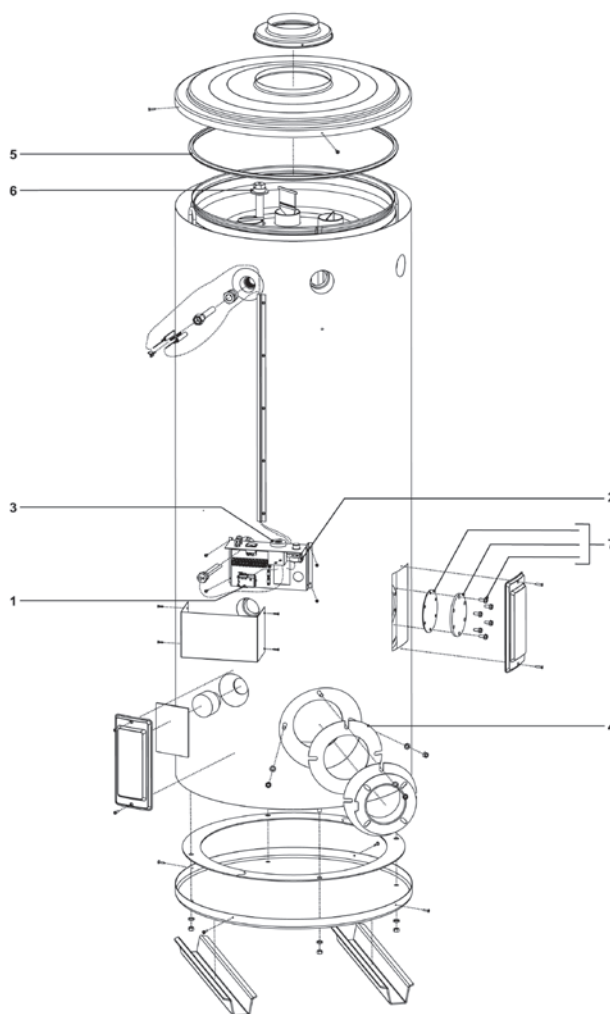
## COF parts



No	description	199	245	315	385	455	700
1	High-limit thermostat (84°)	0302991(S)	0302991(S)	0302991(S)	0302991(S)	0302991(S)	0302991(S)
2	Safety thermostat (95°)	0304855(S)	0304855(S)	0304855(S)	0304855(S)	0304855(S)	0304855(S)
3	Control thermostat (40- 80°)	0303031(S)	0303031(S)	0303031(S)	0303031(S)	0303031(S)	0303031(S)
4	Gasket burner flange	0305044(S)	0305044(S)	0305044(S)	0305044(S)	0305044(S)	0305044(S)
5	Sealant U-profile	0305098(S)	0305098(S)	0305098(S)	0305098(S)	0305098(S)	0305098(S)
6	Anode	0183463039(S) (2x)	0183463039(S) (2x)	0183463039(S) (2x)	0183463039(S) (3x)	0183463039(S) (3x)	0183463039(S) (4x)
	Flexible anode	0304728(S) (2x)	0304728(S) (2x)	0304728(S) (2x)	0304728(S) (3x)	0304728(S) (3x)	0304728(S) (4x)
7	Cleaning opening set	0305082(S)	0305082(S)	0305082(S)	0305082(S)	0305082(S)	0305082(S)

## COF accessories

description	199	245	315	385	455	700
Conversion set to LP-gas	0305130(S)	0305130(S)	0305131(S)	0305131(S)	0305131(S)	0305131(S)
Conversion set to NAT-gas	0305215(S)	0305215(S)	0305216(S)	0305216(S)	0305216(S)	0305216(S)
Oil orifice	n.d.	0305136(S)	0305137(S)	0305138(S)	0305139(S)	n.a.
Inlet security group G1"	0070066003(S)	0070066003(S)	0070066003(S)	0070066003(S)	0070066003(S)	0070066003(S)
T&P valve 1" NO WRAS	0099383005(S)	0099383005(S)	0099383005(S)	0099383005(S)	0099383005(S)	0099383005(S)
Electric anode kit	0308018(S)	0308018(S)	0308018(S)	0308018(S)	0308018(S)	0308018(S)
Inlet security group DN40	0309927(S)	0309927(S)	0309927(S)	0309927(S)	0309927(S)	0309927(S)



EVD-0016

Parts that are marked yellow are parts that are used for maintenance.



# DRE + exploded view DRE before 01-04-'22

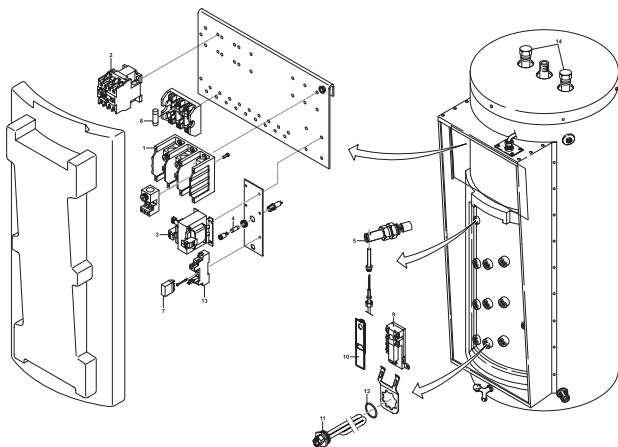
## DRE parts



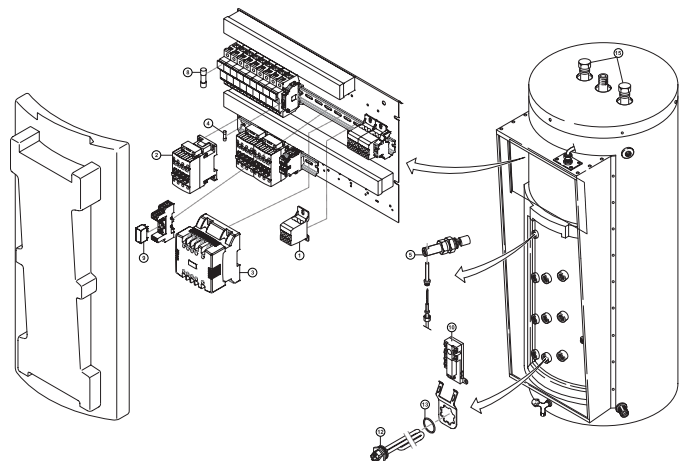
no	description	Date	52			80				120			
			9 kW	18 kW	36 kW	9 kW	18 kW	36 kW	54 kW	9 kW	18 kW	36 kW	54 kW
1	Thermal block	before 02-10-'11	0078268(S)	0078268(S)	n.a.	0078268(S)	0078268(S)	n.a.	n.a.	0078268(S)	0078268(S)	n.a.	n.a.
	Divider	After 03-10-'11	0310095(S)	0310095(S)	0310095(S)	0310095(S)	0310095(S)	0310095(S)	0310095(S)	0310095(S)	0310095(S)	0310095(S)	0310095(S)
2	Security relais	before 02-10-'11	0303084(S)	0303084(S)	0303084(S)	0303084(S)	0303084(S)	0303084(S)	0303084(S)	0303084(S)	0303084(S)	0303084(S)	0303084(S)
		After 03-10-'11	0310096(S)	0310096(S)	0310096(S)	0310096(S)	0310096(S)	0310096(S)	0310096(S)	0310096(S)	0310096(S)	0310096(S)	0310096(S)
3	Transformer	before 02-10-'11	0303111(S)	0303111(S)	0303111(S)	0303111(S)	0303111(S)	0303111(S)	0303111(S)	0303111(S)	0303111(S)	0303111(S)	0303111(S)
		After 03-10-'11	0310102(S)	0310102(S)	0310102(S)	0310102(S)	0310102(S)	0310102(S)	0310102(S)	0310102(S)	0310102(S)	0310102(S)	0310102(S)
4	Fuse 250 V AC-T 200 mA	before 02-10-'11	0303113(S)	0303113(S)	0303113(S)	0303113(S)	0303113(S)	0303113(S)	0303113(S)	0303113(S)	0303113(S)	0303113(S)	0303113(S)
	Fuse 1A/250V	After 03-10-'11	0310099(S)	0310099(S)	0310099(S)	0310099(S)	0310099(S)	0310099(S)	0310099(S)	0310099(S)	0310099(S)	0310099(S)	0310099(S)
5	Float valve		0303947(S)	0303947(S)	0303947(S)	0303947(S)	0303947(S)	0303947(S)	0303947(S)	0303947(S)	0303947(S)	0303947(S)	0303947(S)
6	Safety thermostat	before 25-03-'09	0303152(S)	0303152(S)	0303152(S)	0303152(S)	0303152(S)	0303152(S)	0303152(S)	0303152(S)	0303152(S)	0303152(S)	0303152(S)
7	Switch	before 02-10-'11	n.a.	n.a.	n.a.	n.a.	n.a.	n.a.	n.a.	n.a.	n.a.	n.a.	n.a.
8	Fuse 30A/600V	before 02-10-'11	0078272(S)	0078272(S)	0078272(S)	0078272(S)	0078272(S)	0078272(S)	0078272(S)	0078272(S)	0078272(S)	0078272(S)	0078272(S)
	Fuse 32A/400V	After 03-10-'11	0310104(S)	0310104(S)	0310104(S)	0310104(S)	0310104(S)	0310104(S)	0310104(S)	0310104(S)	0310104(S)	0310104(S)	0310104(S)
9	Relais	After 03-10-'11	0310100(S)	0310100(S)	0310100(S)	0310100(S)	0310100(S)	0310100(S)	0310100(S)	0310100(S)	0310100(S)	0310100(S)	0310100(S)
10	Thermostat		0076235(S)	0076235(S)	0076235(S)	0076235(S)	0076235(S)	0076235(S)	0076235(S)	0076235(S)	0076235(S)	0076235(S)	0076235(S)
11	Personnel protector	before 02-10-'11	0180163(S)	0180163(S)	0180163(S)	0180163(S)	0180163(S)	0180163(S)	0180163(S)	0180163(S)	0180163(S)	0180163(S)	0180163(S)
12	Element		0700771(S)	0042541024(S)	0042541024(S)	0700771(S)	0042541024(S)	0042541024(S)	0042541024(S)	0700771(S)	0042541024(S)	0042541024(S)	0042541024(S)
13	Gasket for element		0042537(S)	0042537(S)	0042537(S)	0042537(S)	0042537(S)	0042537(S)	0042537(S)	0042537(S)	0042537(S)	0042537(S)	0042537(S)
14	Selenoide switch socket	before 02-10-'11	n.a.	n.a.	n.a.	n.a.	n.a.	n.a.	n.a.	n.a.	n.a.	n.a.	n.a.
15	Anode		0313623(S) (2x)	0313623(S) (2x)	0313623(S) (2x)	0313623(S) (2x)	0313623(S) (2x)	0313623(S) (2x)	0313623(S) (2x)	0183463050(S) (2x)	0183463050(S) (2x)	0183463050(S) (2x)	0183463050(S) (2x)

## DRE accessories

description	52			80				120			
	9 kW	18 kW	36 kW	9 kW	18 kW	36 kW	54 kW	9 kW	18 kW	36 kW	54 kW
T&P valve 3/4" NO WRAS	0076527002(S)	0076527002(S)	0076527002(S)	0076527002(S)	0076527002(S)	0076527002(S)	0076527002(S)	0076527002(S)	0076527002(S)	0076527002(S)	0076527002(S)
Inlet security group DN32	0309926(S)	0309926(S)	0309926(S)	0309926(S)	0309926(S)	0309926(S)	0309926(S)	0309926(S)	0309926(S)	0309926(S)	0309926(S)



EVD-0035 BEFORE 03-10-'11



EVD-0057 FROM 03-10-'11 TILL 01-04-'22

Parts that are marked yellow are parts that are used for maintenance.

# DRE + exploded view DRE after 01-04-'22

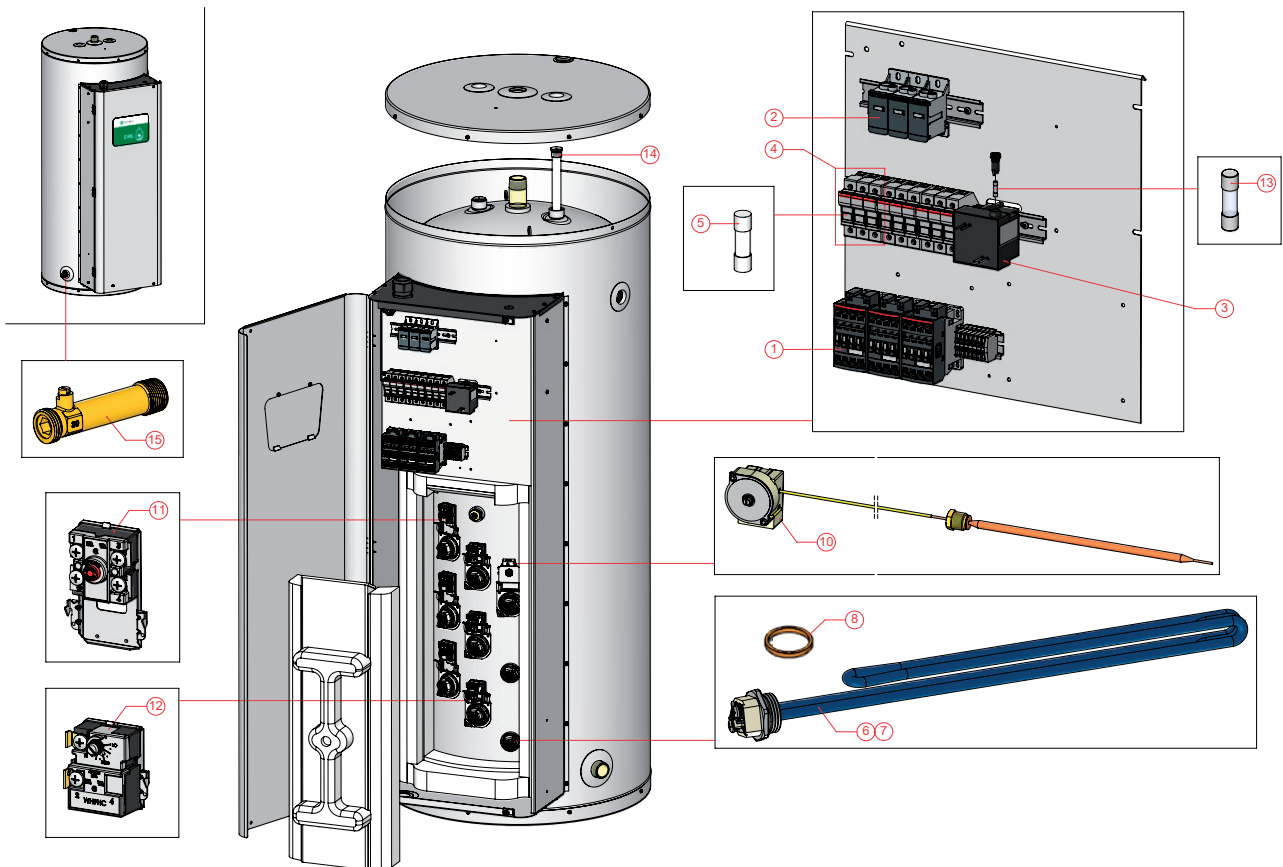
## DRE parts



No	Description	Date	52			80			
			9 kW	18 kW	36 kW	9 kW	18 kW	36 kW	54 kW
1	Relay		0313780(S)	0313780(S)	0313780(S)	0313780(S)	0313780(S)	0313780(S)	0313780(S)
2	Therminal block		0313781(S)	0313781(S)	0313781(S)	0313781(S)	0313781(S)	0313781(S)	0313781(S)
3	Transformer 400-28VAC		0313782(S)	0313782(S)	0313782(S)	0313782(S)	0313782(S)	0313782(S)	0313782(S)
4	Fuse holder		0313783(S)	0313783(S)	0313783(S)	0313783(S)	0313783(S)	0313783(S)	0313783(S)
5	Element fuse ( gG 400VAC/32A)		0310104(S)	0310104(S)	0310104(S)	0310104(S)	0310104(S)	0310104(S)	0310104(S)
6	Electrical heating element ( 3 kW)		0313790(S)			0313790(S)			
7	Electrical heating element ( 6 kW)			0313791(S)	0313791(S)		0313791(S)	0313791(S)	0313791(S)
8	Gasket element		0042537(S)	0042537(S)	0042537(S)	0042537(S)	0042537(S)	0042537(S)	0042537(S)
9	Cable assy		0313932(S)	0313932(S)	0313932(S)	0313932(S)	0313932(S)	0313932(S)	0313932(S)
10	Main safety thermostat	Before 11-02-'24	0313784(S)	0313784(S)	0313784(S)	0313784(S)	0313784(S)	0313784(S)	0313784(S)
		After 12-02-'24	0338202(S)	0338202(S)	0338202(S)	0338202(S)	0338202(S)	0338202(S)	0338202(S)
11	Row safety thermostat		0313938(S)	0313938(S)	0313938(S)	0313938(S)	0313938(S)	0313938(S)	0313938(S)
12	Row control thermostat		0313981(S)	0313981(S)	0313981(S)	0313981(S)	0313981(S)	0313981(S)	0313981(S)
13	Transformer fuse ( T1AL250)		0310099(S)	0310099(S)	0310099(S)	0310099(S)	0310099(S)	0310099(S)	0310099(S)
14	Anode		0313623(S) (2x)	0313623(S) (2x)	0313623(S) (2x)	0313623(S) (2x)	0313623(S) (2x)	0313623(S) (2x)	0313623(S) (2x)
15	Drain valve		0313939(S)	0313939(S)	0313939(S)	0313939(S)	0313939(S)	0313939(S)	0313939(S)

## DRE accessories

Description	52			80			
	9 kW	18 kW	36 kW	9 kW	18 kW	36 kW	54 kW
Inlet security group DN32	0309926(S)	0309926(S)	0309926(S)	0309926(S)	0309926(S)	0309926(S)	0309926(S)



EVD-0119

Parts that are marked yellow are parts that are used for maintenance.

# DRE Plus + exploded view DRE Plus

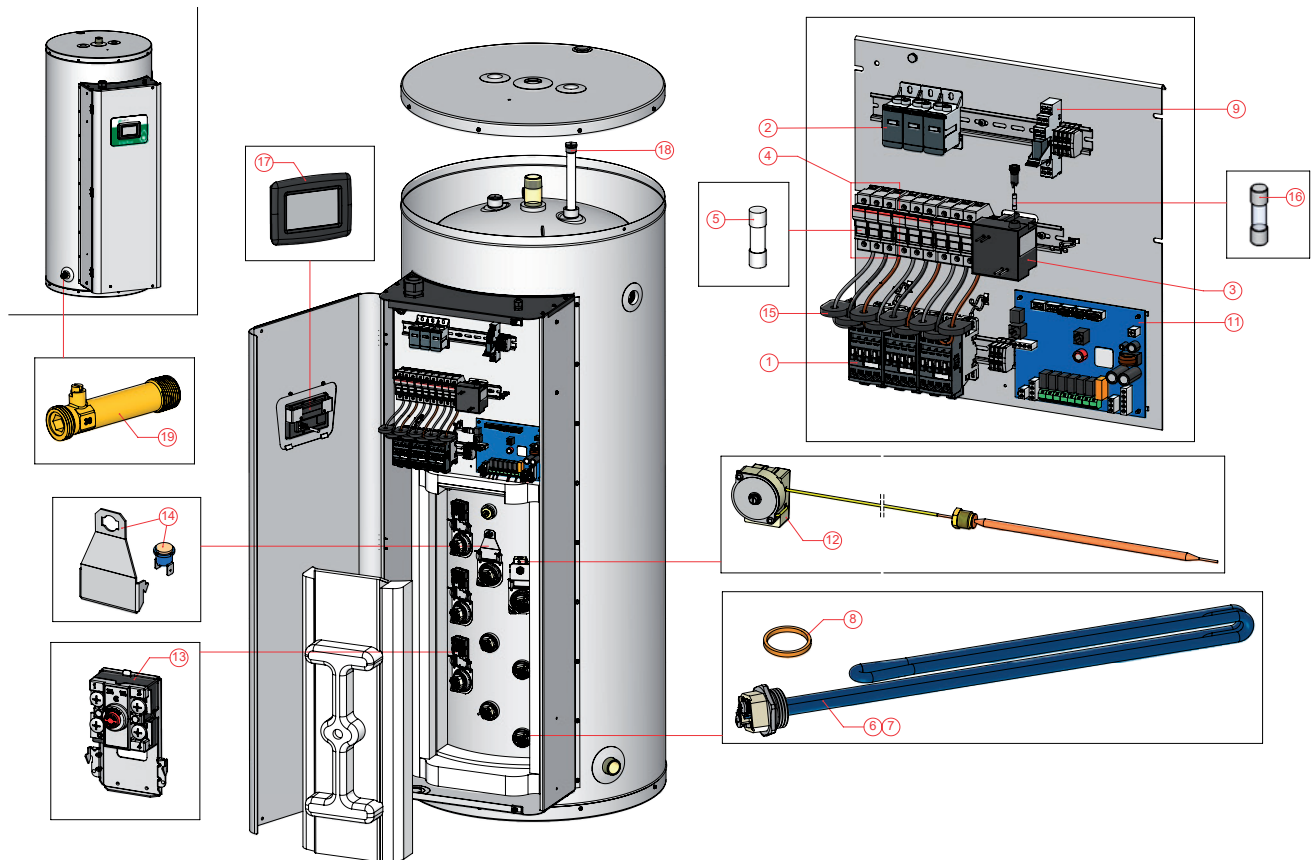
## DRE Plus parts



No	Description	Date	52			80			
			9 kW	18 kW	36 kW	9 kW	18 kW	36 kW	54 kW
1	Relay		0313780(S)	0313780(S)	0313780(S)	0313780(S)	0313780(S)	0313780(S)	0313780(S)
2	Therminal block		0313781(S)	0313781(S)	0313781(S)	0313781(S)	0313781(S)	0313781(S)	0313781(S)
3	Transformer 400-28VAC		0313782(S)	0313782(S)	0313782(S)	0313782(S)	0313782(S)	0313782(S)	0313782(S)
4	Fuse holder		0313783(S)	0313783(S)	0313783(S)	0313783(S)	0313783(S)	0313783(S)	0313783(S)
5	Element fuse ( gG 400VAC/32A )		0310104(S)	0310104(S)	0310104(S)	0310104(S)	0310104(S)	0310104(S)	0310104(S)
6	Electrical heating element ( 3 kW )		0313790(S)			0313790(S)			
7	Electrical heating element ( 6 kW )			0313791(S)	0313791(S)		0313791(S)	0313791(S)	0313791(S)
8	Gasket element		0042537(S)	0042537(S)	0042537(S)	0042537(S)	0042537(S)	0042537(S)	0042537(S)
9	Alarm relay		0313944(S)	0313944(S)	0313944(S)	0313944(S)	0313944(S)	0313944(S)	0313944(S)
10	Cable assy		0313935(S)	0313935(S)	0313936(S)	0313935(S)	0313935(S)	0313936(S)	0313937(S)
11	Control		0313835(S)	0313835(S)	0313836(S)	0313835(S)	0313835(S)	0313836(S)	0313837(S)
12	Main safety thermostat	Before 11-02-'24	0313784(S)	0313784(S)	0313784(S)	0313784(S)	0313784(S)	0313784(S)	0313784(S)
		After 12-02-'24	0338202(S)	0338202(S)	0338202(S)	0338202(S)	0338202(S)	0338202(S)	0338202(S)
13	Row safety thermostat		0313938(S)	0313938(S)	0313938(S)	0313938(S)	0313938(S)	0313938(S)	0313938(S)
14	Temperature sensor		0313811(S)	0313811(S)	0313811(S)	0313811(S)	0313811(S)	0313811(S)	0313811(S)
15	Element current sensor		0313945(S)	0313945(S)	0313945(S)	0313945(S)	0313945(S)	0313945(S)	0313945(S)
16	Transformer fuse ( T1AL250 )		0310099(S)	0310099(S)	0310099(S)	0310099(S)	0310099(S)	0310099(S)	0310099(S)
17	Display		0313946(S)	0313946(S)	0313946(S)	0313946(S)	0313946(S)	0313946(S)	0313946(S)
18	Anode		0313623(S) (2x)	0313623(S) (2x)	0313623(S) (2x)	0313623(S) (2x)	0313623(S) (2x)	0313623(S) (2x)	0313623(S) (2x)
19	Drain valve		0313939(S)	0313939(S)	0313939(S)	0313939(S)	0313939(S)	0313939(S)	0313939(S)

## DRE Plus accessories

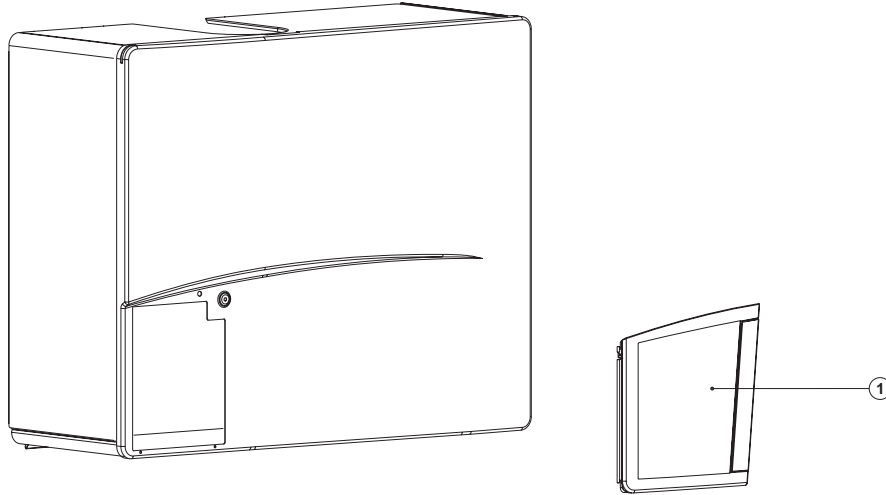
Description	52			80			
	9 kW	18 kW	36 kW	9 kW	18 kW	36 kW	54 kW
Inlet security group DN32	0309926(S)	0309926(S)	0309926(S)	0309926(S)	0309926(S)	0309926(S)	0309926(S)



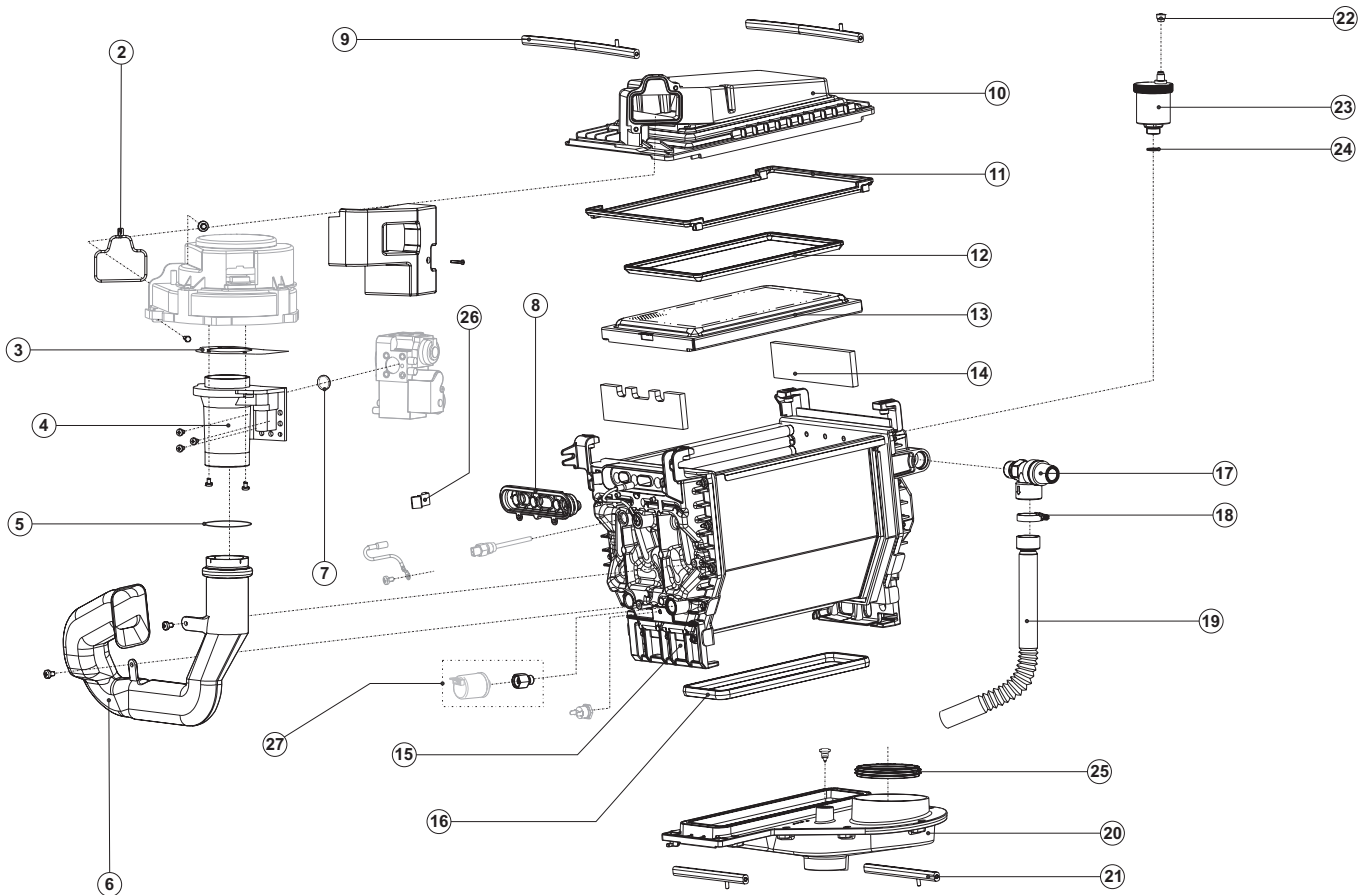
EVD-0120

Parts that are marked yellow are parts that are used for maintenance.

Exploded view EB

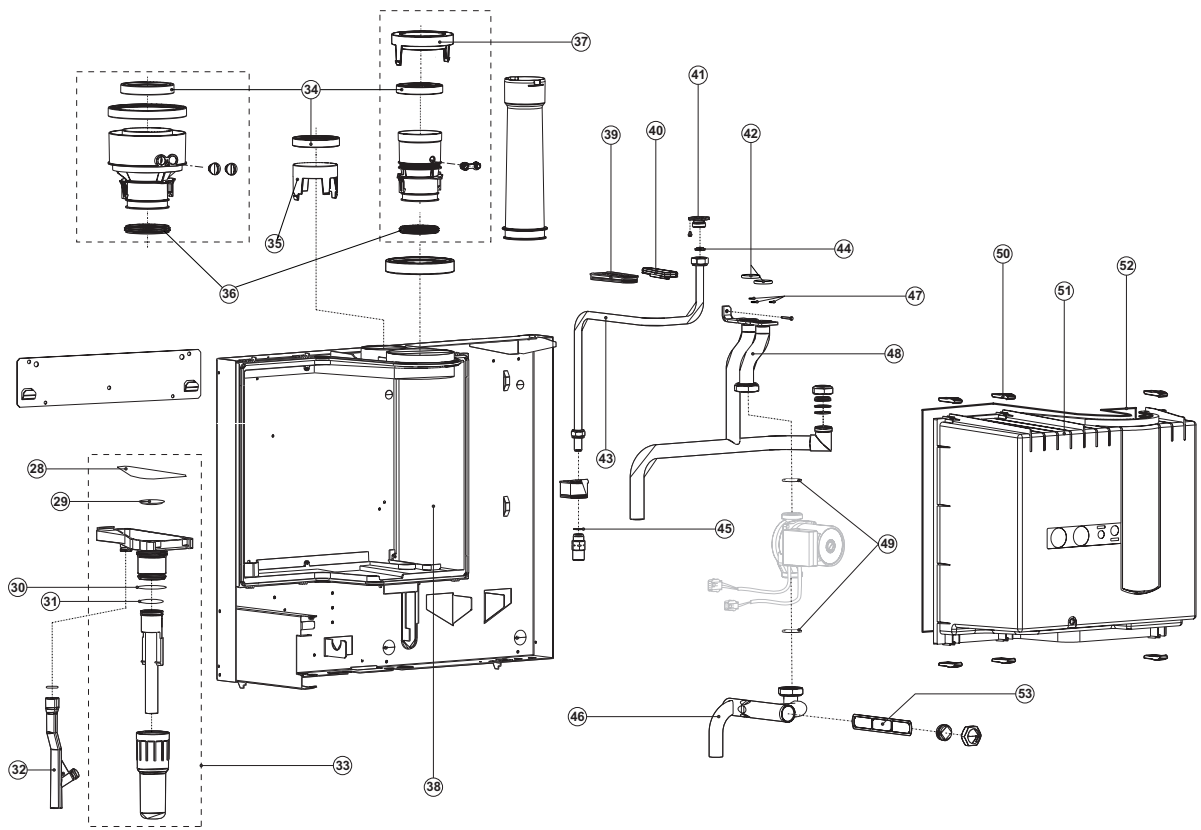


EVD-0087A

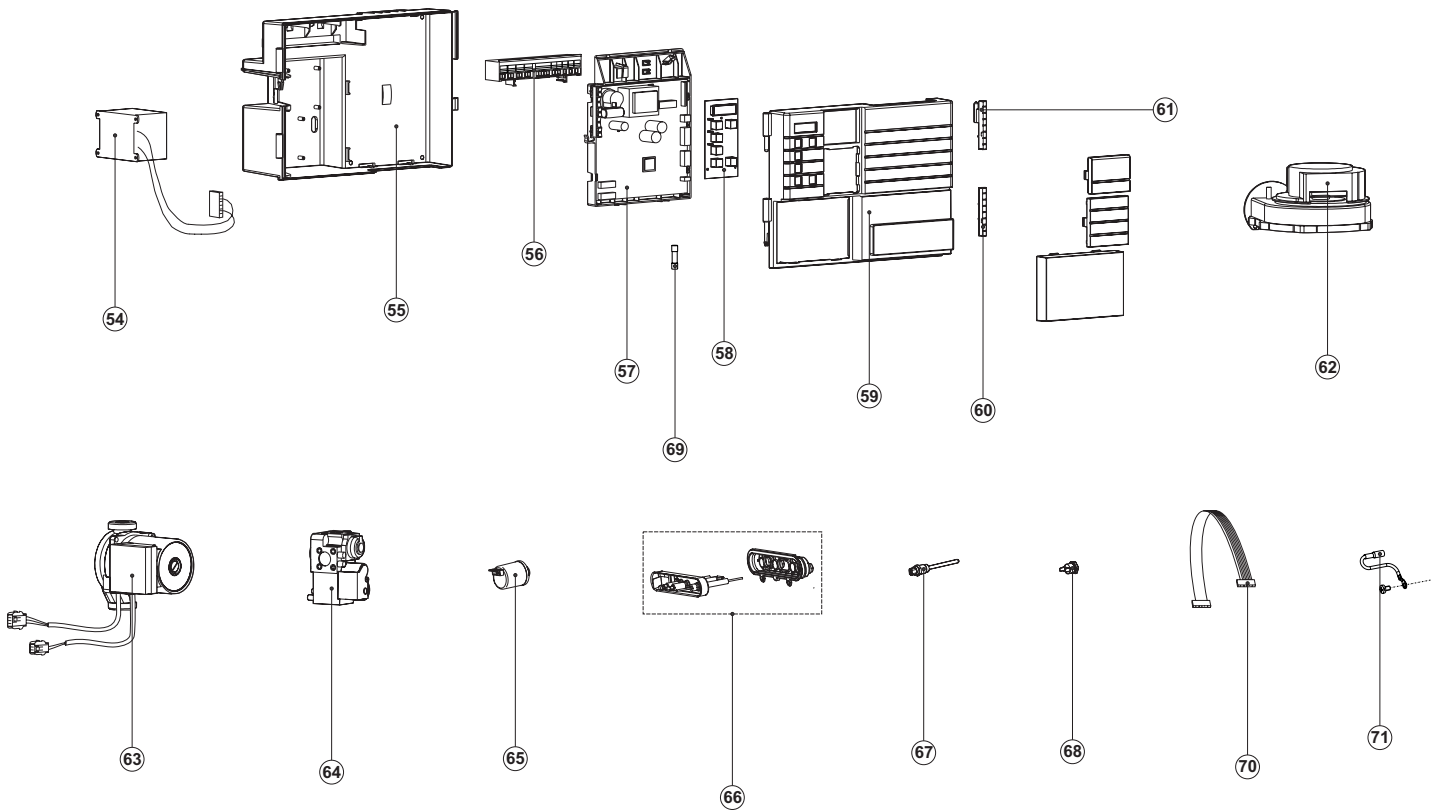


EVD-0087B

# Exploded view EB



EVD-0087C



EVD-0087D

**EB**

## EB parts



No.	Description	EB 40 (1× HEX 2)			EB 50 (1× HEX 4)		
		From	Till	Art. no.	From	Till	Art. no.
Jacket							
1	Accesspanel Control Display			0310506(S)			0310506(S)
Heat Exchanger							
2	Gasket (Fan-Heat Exchanger)			0310812(S)			0310812(S)
3	Gasket (Venturi-Fan)			0310454(S)			0310454(S)
4	Venturi			0310429(S)			0310430(S)
5	Gasket (Silencer-Venturi)			0310403(S)			0310403(S)
6	Silencer			n.d.			n.d.
7	Gasket (Venturi-Gas Control Valve)			0310458(S)			0310458(S)
8	Gasket (Ionisation-/Ignition rod-Heat Ex.)			0310489(S)			0310489(S)
9	Clamp Cover Heat Exchanger			0310409(S)			0310409(S)
10	Cover Heat Exchanger			n.d.			n.d.
11	Gasket (Heat Exchanger-Cover Heat Ex.)			0310499(S)			0310500(S)
12	Gasket (Burner-Cover Heat Exchanger)			0310497(S)			0310498(S)
13	Burner	NAT/LP		0310494(S)	before 25-03-'12		0310495(S)
		NAT		-	after 26-03-'12		0310534(S)
		LP		-	after 26-03-'12		0310495(S)
14	Insulation Heat Exchanger			0310505(S)			0310505(S)
15	Heat Exchanger			0310813(S)			0310814(S)
16	Gasket (Condensate Tray-Heat Exchanger)			0310496(S)			0310502(S)
17	Safety Valve			0310466(S)			0310466(S)
18	Hose Clamp			n.d.			n.d.
19	Discharge Hose Safety Valve			n.d.			n.d.
20	Condensate Tray			n.d.			n.d.
21	Clamp Condensate Tray			0310408(S)			0310408(S)
22	Cap Automatic Air Vent			n.d.			n.d.
23	Automatic Air Vent			0310815(S)			0310815(S)
24	Gasket (Air Vent-Heat Exchanger)			0310816(S)			0310816(S)
25	Gasket (Condense Tray-Flue Gas Outlet)			0310817(S)			0310817(S)
26	Spring Ignition Electrode			0310491(S)			0310491(S)
27	Water Pressure Sensor			0310485(S)			0310485(S)
Casing and Tubing							
28	Gasket (Condense Tray-Air Box)			0310459(S)			0310459(S)
29	Gasket (Syphon-Air Box)			0310419(S)			0310419(S)
30	O-ring (Syphon)			0310420(S)			0310420(S)
31	O-ring (Syphontray)			0310818(S)			0310818(S)
32	Drain Pipe Condensate Tray			n.d.			n.d.
33	Syphon			n.d.			n.d.
34	Gasket Air Inlet			n.d.			n.d.
35	Cover Air Inlet			n.d.			n.d.
36	Gasket Flue Gas Discharge Pipe			n.d.			n.d.
37	Cover Air Inlet			n.d.			n.d.
38	Air Box (Backside)			n.d.			0310418(S)
39	Gasket (Air Box-Flow/Return)			0310407(S)			0310407(S)
40	Cover Air Box			n.d.			n.d.
41	Flens Gas Control Valve			n.d.			n.d.
42	O-ring (Flow/Return)			0310410(S)			0310410(S)
43	Gas Pipe			n.d.			n.d.
44	Gasket Gas Control Valve Connection			0310461(S)			0310461(S)
45	O-ring (Gas Pipe)			0310456(S)			0310456(S)
46	Return Pipe Pump			n.d.			n.d.

Parts that are marked yellow  
are parts that are used for maintenance.

# EB

## EB parts

No.	Description	EB 40 (1× HEX 2)			EB 50 (1× HEX 4)		
		From	Till	Art. no.	From	Till	Art. no.
47	O-ring (Flow/Return Connection)			0310824(S)			0310824(S)
48	Flow Pipe			n.d.			n.d.
49	Gasket (Pump)			0310820(S)			0310820(S)
50	Click Connection Air Box			n.d.			n.d.
51	Air Box (Frontside)			n.d.			n.d.
52	Gasket (Air Box)			n.d.			n.d.
53	Filter Return Pipe			n.d.			n.d.
Control and Electrical Parts							
54	Trafo			0310452(S)			0310452(S)
55	Control Box (Backside)			0310440(S)			0310440(S)
56	Cable Assy			0310479(S)			0310479(S)
57	Control			0310492(S)			0310492(S)
58	Display			0310493(S)			0310493(S)
59	Control Box (Frontside)			0310439(S)			0310439(S)
60	Lock (Control Box)			0310444(S)			0310444(S)
61	Lock (Control Box-Air Box)			0310445(S)			0310445(S)
62	Fan Motor			0310481(S)			0310406(S)
63	Pump			0310488(S)			0310509(S)
64	Gas Control Valve			n.d.			n.d.
65	Water Pressure Sensor			0310485(S)			0310485(S)
66	Ignition Electrode with Gasket			0310490(S)			0310490(S)
67	Flow Sensor			0310511(S)			0310511(S)
68	NTC Sensor			0310514(S)			0310514(S)
	Fuse Control (250V 4AT)			0310484(S)			0310484(S)
69	Fuse Control (250V F2.0A)			0310825(S)			0310825(S)
	Fuse Control (250V F3.0A)			0310826(S)			0310826(S)
70	Communication Cable (Control-Display)			0310433(S)			0310433(S)
71	Ignition Cable Set			0310480(S)			0310480(S)

## EB Conversion sets

Description	EB 40 (1× HEX 2)			EB 50 (1× HEX 4)		
	From	Till	Art. no.	From	Till	Art. no.
Conversion set to LP-gas from NAT to LP			0310800(S)	before 23-03-'12		n.d.
				after 26-03-'12		n.d.
Conversion set to NAT-gas from LP to NAT			n.d.			n.d.



# EES + exploded view EES

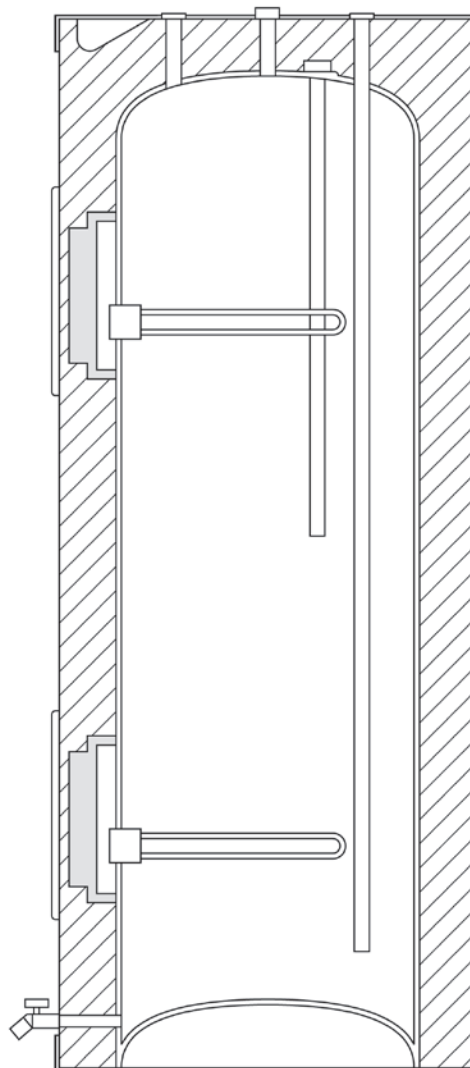
## EES parts



no	description	date	6	15	20	30	40	52	66	80	120
1	Control thermostat + reset button		0040836(S)	0040836(S)	0040836(S)	0040832(S)	0040832(S)	0040832(S)	0040832(S)	0040832(S)	0040832(S)
2	Control thermostat + reset button		-	-	-	0040834(S)	0040834(S)	0040834(S)	0040834(S)	0040834(S)	0040834(S)
3	Protection thermostat + reset button	until 02-10-'11	0180163(S)	0180163(S)	0180163(S)	0180163(S)	0180163(S)	0180163(S)	0180163(S)	0180163(S)	0180163(S)
4	Protection thermostat		-	-	-	n.a.	n.a.	n.a.	n.a.	n.a.	n.a.
5	Element ( 3 kW )		-	-	-	0700771(S)	0700771(S)	0700771(S)	0700771(S)	0700771(S)	0700771(S)
	Element ( 2 kW )		0700771001(S)	0700771001(S)	0700771001(S)	-	-	-	-	-	-
6	Gasket element		0042537(S)	0042537(S)	0042537(S)	0042537(S)	0042537(S)	0042537(S)	0042537(S)	0042537(S)	0042537(S)
7	Inlet tube		-	-	0183350024(S)	0183776026(S)	0183776036(S)	0183776040(S)	0183776050(S)	-	-
		until 25-05-'22	-	-	-	-	-	-	-	0183776052(S)	0183776052(S)
		from 26-05-'22	-	-	-	-	-	-	-	0336040(S)	0336040(S)
8	Drain valve		-	-	0026273004(S)	0026273004(S)	0026273004(S)	0026273004(S)	0026273004(S)	0026273004(S)	0026273004(S)
9	Anode		0183463009(S)	0183463012(S)	n.a.	n.a.	0183463019(S)	0183463023(S)	0183463039(S)	0183463039(S)	0183463039(S)
	Flexible anode		-	-	-	0304728(S)	0304728(S)	0304728(S)	0304728(S)	0304728(S)	0304728(S)

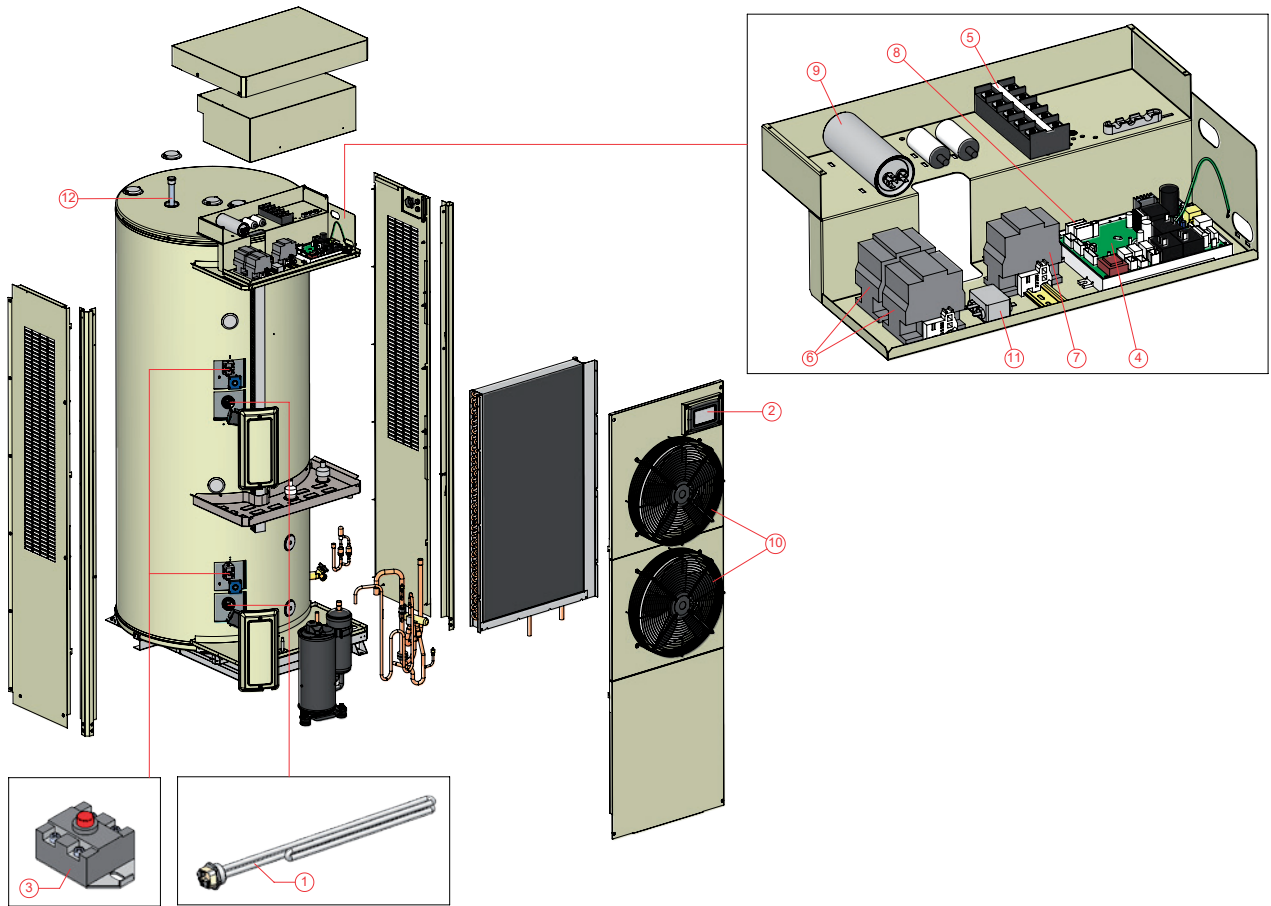
## EES accessories

description	6	15	20	30	40	52	66	80	120
T&P valve 3/4" NO WRAS	0076527004(S)	0076527004(S)	0076527004(S)	0076527004(S)	0076527004(S)	0076527004(S)	0076527004(S)	0076527004(S)	0076527004(S)



Parts that are marked yellow are parts that are used for maintenance.

# Exploded view Enevator Store



EVD-0121

# Enevator Store

## Enevator Store parts



no	désignation	CAWH 8-455-6	CAWH 8-455-9	CAWH 8-455-12
1	Electrical heating element (3 kW)	0313674(S)	-	-
	Electrical heating element (4,3 kW)	-	0313675(S)	-
	Electrical heating element (6 kW)	-	-	0313676(S)
2	Display	0337734(S)	0337734(S)	0337734(S)
3	Safety thermostat	0336052(S)	0336052(S)	0336052(S)
4	Control	0336054(S)	0336054(S)	0336054(S)
5	Terminal block	0336055(S)	0336055(S)	0336055(S)
6	Contacteur element	0336056(S)	0336056(S)	0336056(S)
7	Contacteur compressor	0336057(S)	0336057(S)	0336057(S)
8	Sensor Heat pump	0336059(S)	0336059(S)	0336059(S)
9	Capacitor compressor	0336061(S)	0336061(S)	0336061(S)
10	Fan	0336077(S)	0336077(S)	0336077(S)
11	EMC filter	0336047(S)	0336047(S)	0336047(S)
12	Anode	0183463050(S)	0183463050(S)	0183463050(S)

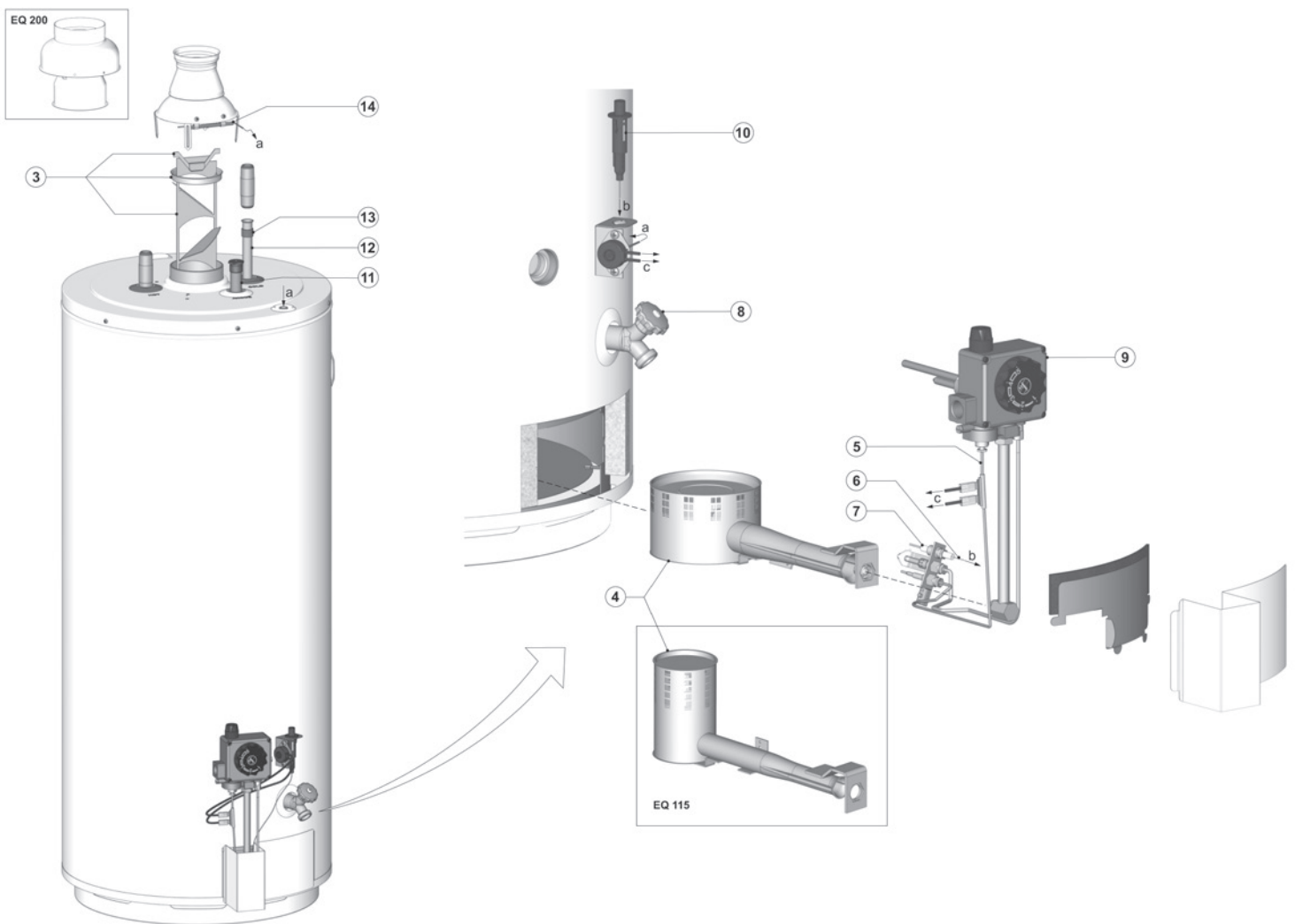
## Enevator Store accessories

désignation	CAWH 8-455-6	CAWH 8-455-9	CAWH 8-455-12
Temp. & Pressure valve (T&P) NO WRAS	0076527004(S)	0076527004(S)	0076527004(S)
Inlet Security Group	0302706(S)	0302706(S)	0302706(S)
Pallet	0337941(S)	0337941(S)	0337941(S)

EQ + exploded view EQ 115/ 155 / 200

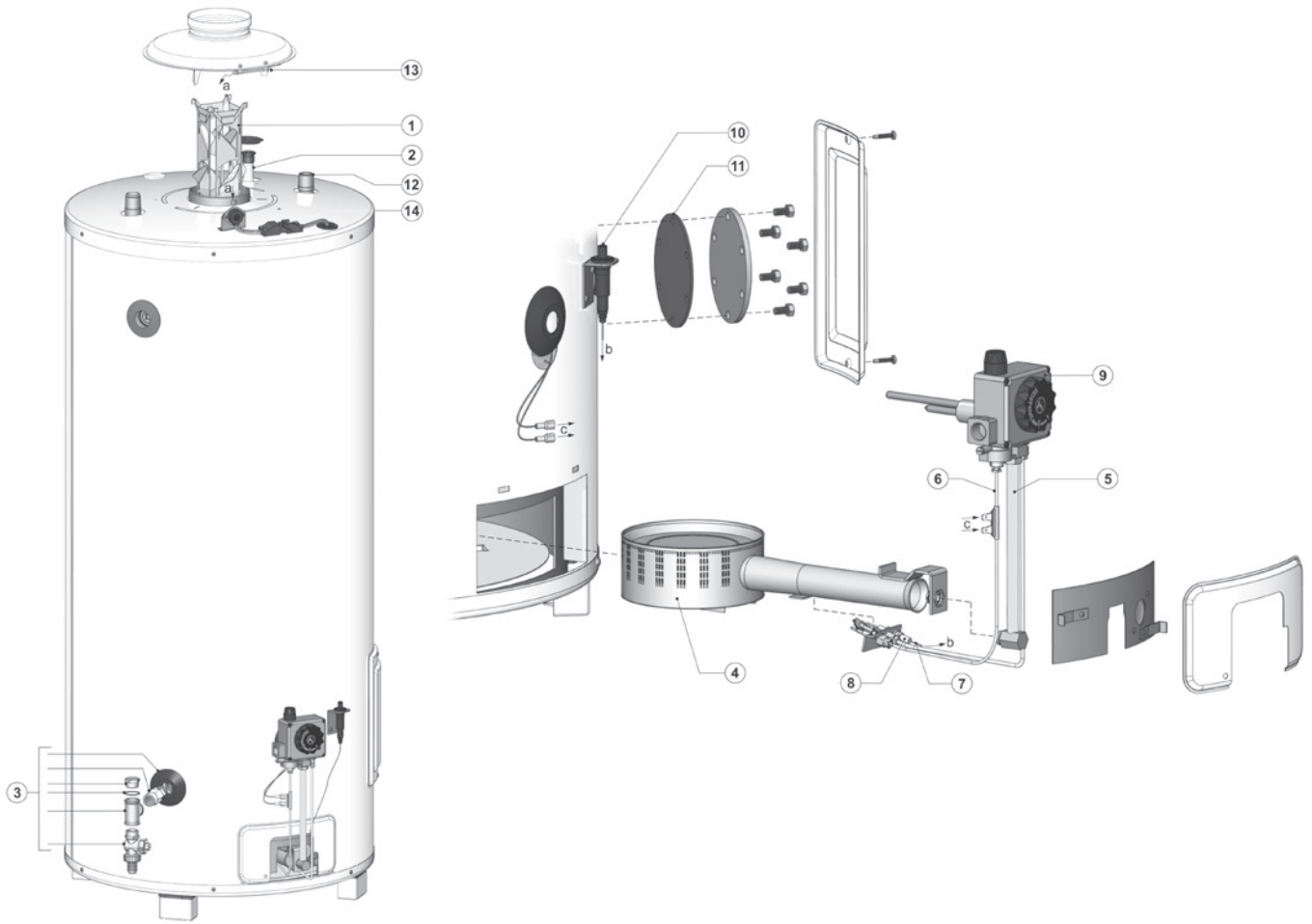
EQ/EQB accessories

description	date	EQ/EQB 115	EQ/EQB 155	EQ 200	EQH 200	EQB 5"	EQ/EQB 280	EQ 380
Conversion set to LP-gas	280 before 31-10-'07 380 before 21-07-'08	0301208(S)	0301211(S)	0301213(S)	0307781(S)	-	0301464(S)	0301466(S)
	280 after 01-11-'07 380 after 22-07-'08	-	-	-	0307781(S)	-	0308682(S)	0308709(S)
	EQB5" after 01-07-'06	-	-	-	-	0307779(S)	-	-
Conversion set to NAT-gas	280 before 31-10-'07 380 before 21-07-'08	0310403(S)	0310403(S)	0310403(S)	0307782(S)	-	0301794(S)	0301796(S)
	280 after 01-11-'07 380 after 22-07-'08	-	-	-	0307782(S)	-	0308683(S)	0308710(S)
	EQB5" after 01-07-'06	-	-	-	-	0307780(S)	-	-
Inlet security group 3/4" sfr		0302706(S)	0302706(S)	0302706(S)	-	-	0302706(S)	0302706(S)
Cleaning opening set		-	-	-	-	-	0305082(S)	0305082(S)
Gas cock		0300718(S)	0300718(S)	0300718(S)	-	0300718(S)	0300718(S)	0300718(S)



EVD-0012\_R1

# Exploded view EQ 280/ 380



EVD-0013

## EQ / EQB

### EQ + EQH parts



nr	Description	date	115	155	200	EQH 200
3	Flue baffle		0181382001(S)	0181382002(S)	0181382003(S)	0307363(S)
4	Burner		0300959(S)	0301159(S)	0301159(S)	0301159(S)
5	Thermocouple		0071872(S)	0071872(S)	0071872(S)	0071872(S)
6	Ignition cable		0303927(S)	0303927(S)	0303927(S)	0303927(S)
7	Electrode ignition		0071608(S)	0071608(S)	0071608(S)	0071608(S)
8	Drain valve		0042037001(S)	0042037001(S)	0042037001(S)	0042037001(S)
9	Gas control (NAT)		0300947(S)	0300947(S)	0300947(S)	0300947(S)
	Gas control (LP)		0300948(S)	0300948(S)	0300948(S)	0300948(S)
10	Piezo ignition		0307596(S)	0307596(S)	0307596(S)	0307596(S)
11	Anode		0183463023(S)	0183463039(S)	0183463039(S)	0183463039(S)
	Flexible anode		0304728(S)	0304728(S)	0304728(S)	0304728(S)
12	Cold water inlet		0183901026(S)	0183901035(S)	0183352037(S)	0183901047(S)
13	Sealing ring inlet		0183706(S)	0183706(S)	0183706(S)	0183706(S)
14	Thermostat roll-out protection		0071587(S)	0071587(S)	0071587(S)	0071587(S)
	Pilot burner (NAT)		0301820(S)	0301820(S)	0301820(S)	0301820(S)
	Pilot burner (LP)		0304315(S)	0304315(S)	0304315(S)	0304315(S)

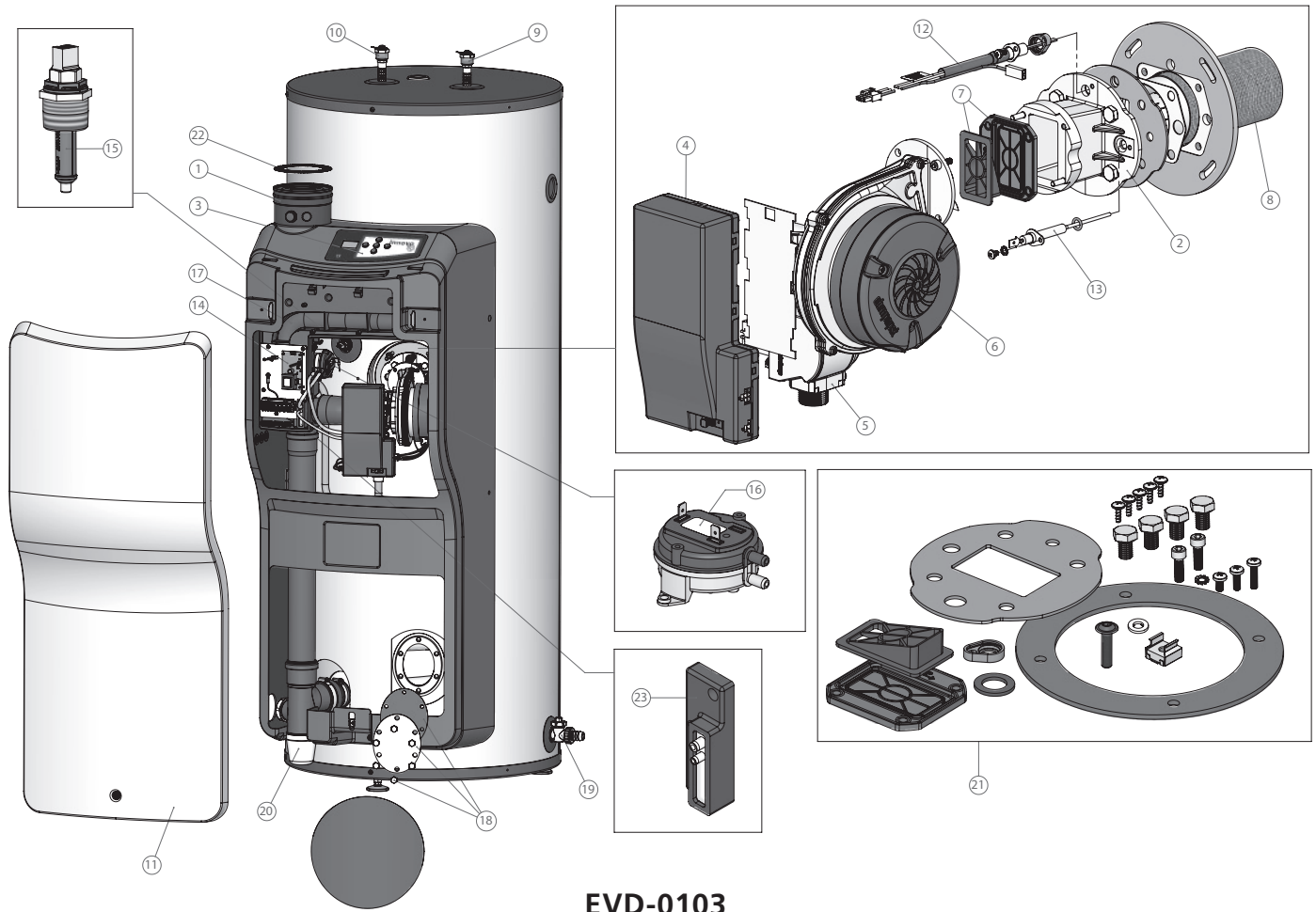
nr	Description	date	280	380
1	Flue baffle	before 31-10-'07	0070239(S)	-
		before 21-08-'08	-	0301429(S)
		after 01-11-'07	0196172001(S)	-
		after 22-08-'08	-	0196172001(S)
2	Anode		0183463039(S)	0183463050(S)
	Flexible anode		0304728(S)	0304728(S)
3	Drain valve		0301022(S)	0301022(S)
4	Burner		0301399(S)	0301400(S)
5	Burner tube		0301839(S)	0301839(S)
6	Thermo couple		0071872(S)	0071872(S)
7	Ignition cable		0303927(S)	0303927(S)
8	Electrode ignition		0071608(S)	0071608(S)
9	Gas control (NAT)		0300947(S)	0300947(S)
	Gas control (LP)		0300948(S)	0300948(S)
10	Piezo ignition		0307596(S)	0307596(S)
11	Gasket inspection opening		0301136(S)	0301136(S)
12	Cold water inlet		0194132029(S)	0040542030(S)
13	Thermostat roll-out protection	before 01-11-'07	0301274(S)	0301274(S)
		after 01-12-'07	0308237(S)	-
		after 22-07-'08	-	0308237(S)
14	Thermostat roll-out protection connection cable		0305346(S)	0305346(S)
	Pilot burner (NAT)		0301820(S)	0301820(S)
	Pilot burner (LP)		0304586(S)	0304586(S)

### EQB parts

no	description	date	115	155	EQB 200 5" *
3	Flue baffle		0181 382001(S)	0181 382002(S)	0307363(S)
4	Burner		0300959(S)	0301159(S)	0301159(S)
5	Thermo couple		0071872(S)	0071872(S)	0071872(S)
6	Ignition cable		0303927(S)	0303927(S)	0303927(S)
7	Electrode ignition		0071608(S)	0071608(S)	0071608(S)
8	Drain valve		0042037001(S)	0042037001(S)	0042037001(S)
9	Gas control (NAT)		0300949(S)	0300949(S)	0300949(S)
	Gas control (LP)		0301914(S)	0301914(S)	0301914(S)
10	Piezo ignition		0307596(S)	0307596(S)	0307596(S)
11	Anode		0183463023(S)	0183463039(S)	0183463032(S)
	Flexible anode		0304728(S)	0304728(S)	0304728(S)
12	Cold water inlet		0700045011(S)	0700045018(S)	0183901 047(S)
13	Sealing ring inlet		0183706(S)	0183706(S)	0183706(S)
14	Thermostat roll-out protection		0071587(S)	0071587(S)	0071587(S)
	Pilot burner (NAT)		0301820(S)	0301820(S)	0301820(S)
	Pilot burner (LP)		0304315(S)	0304315(S)	0304315(S)

Parts that are marked yellow are parts that are used for maintenance.

# Exploded view Innovo



EVD-0103



# Innovo

## Innovo parts



Nr.	Description	IR-12-160	IR-12-200	IR-20-160	IR-20-200	IR-24-245	IR-24-285	IR-32-245	IR-32-285	IR-32-380
1	Flue outlet/Air inlet connector (80/125 mm)	0311693(S)	0311693(S)	0311693(S)	0311693(S)	0311693(S)	0311693(S)	0311693(S)	0311693(S)	0311693(S)
2	Adapter blower	0312028(S)	0312028(S)	0312028(S)	0312028(S)	0312028(S)	0312028(S)	0312028(S)	0312028(S)	0312028(S)
3	Display	0311685(S)	0311685(S)	0311685(S)	0311685(S)	0311685(S)	0311685(S)	0311685(S)	0311685(S)	0311685(S)
4	Control board	0312018(S)	0312018(S)	0312018(S)	0312018(S)	0312018(S)	0312018(S)	0312018(S)	0312018(S)	0312018(S)
5	Gas valve	0312017(S)	0312017(S)	0312017(S)	0312017(S)	0312017(S)	0312017(S)	0312017(S)	0312017(S)	0312017(S)
6	Fan/Venturi	0312015(S)	0312015(S)	0312015(S)	0312015(S)	0312015(S)	0312015(S)	0312015(S)	0312015(S)	0312015(S)
7	Non return valve	0312024(S)	0312024(S)	0312024(S)	0312024(S)	0312024(S)	0312024(S)	0312024(S)	0312024(S)	0312024(S)
8	Burner	0312014(S)	0312014(S)	0312014(S)	0312014(S)	0312014(S)	0312014(S)	0312014(S)	0312014(S)	0312014(S)
9	Anode 400 mm	-	-	-	-	0312174(S)	0312174(S)	0312174(S)	0312174(S)	0312174(S)
10	Anode 800 mm	0312175(S)	0312175(S)	0312175(S)	0312175(S)	-	-	-	-	-
	Anode 1200 mm	-	-	-	-	0312176(S)	0312176(S)	0312176(S)	0312176(S)	0312176(S)
11	Cover lid	0311603(S)	0311603(S)	0311603(S)	0311603(S)	0311603(S)	0311603(S)	0311603(S)	0311603(S)	0311603(S)
12	Glow igniter	0311990(S)	0311990(S)	0311990(S)	0311990(S)	0311990(S)	0311990(S)	0311990(S)	0311990(S)	0311990(S)
13	Flame sensor	0310075(S)	0310075(S)	0310075(S)	0310075(S)	0310075(S)	0310075(S)	0310075(S)	0310075(S)	0310075(S)
14	Potentiostat	0312021(S)	0312021(S)	0312021(S)	0312021(S)	0312021(S)	0312021(S)	0312021(S)	0312021(S)	0312021(S)
15	Temp. sensor	0312036(S)	0312036(S)	0312036(S)	0312036(S)	0312036(S)	0312036(S)	0312036(S)	0312036(S)	0312036(S)
16	Air proving switch (APS)	0312094(S)	0312094(S)	0312094(S)	0312094(S)	0312214(S)	0312214(S)	0312214(S)	0312214(S)	0312214(S)
17	Air inlet box	0311696(S)	0311696(S)	0311696(S)	0311696(S)	0311696(S)	0311696(S)	0311696(S)	0311696(S)	0311696(S)
18	Clean out	0305082(S)	0305082(S)	0305082(S)	0305082(S)	0305082(S)	0305082(S)	0305082(S)	0305082(S)	0305082(S)
19	Drain valve	0070630(S)	0070630(S)	0070630(S)	0070630(S)	0070630(S)	0070630(S)	0070630(S)	0070630(S)	0070630(S)
20	Condensate drain	0311699(S)	0311699(S)	0311699(S)	0311699(S)	0311699(S)	0311699(S)	0311699(S)	0311699(S)	0311699(S)
21	Gaskets, screws, nuts and bolts	0312207(S)	0312207(S)	0312207(S)	0312207(S)	0312207(S)	0312207(S)	0312207(S)	0312207(S)	0312207(S)
22	Air inlet screen	0312624(S)	0312624(S)	0312624(S)	0312624(S)	0312624(S)	0312624(S)	0312624(S)	0312624(S)	0312624(S)
23	Condens collector	0313368(S)	0313368(S)	0313368(S)	0313368(S)	0313368(S)	0313368(S)	0313368(S)	0313368(S)	0313368(S)
	APS hoses	0313238(S)	0313238(S)	0313238(S)	0313238(S)	0313238(S)	0313238(S)	0313238(S)	0313238(S)	0313238(S)
	Cable assy	0312006(S)	0312006(S)	0312006(S)	0312006(S)	0312006(S)	0312006(S)	0312006(S)	0312006(S)	0312006(S)

## Innovo conversion sets

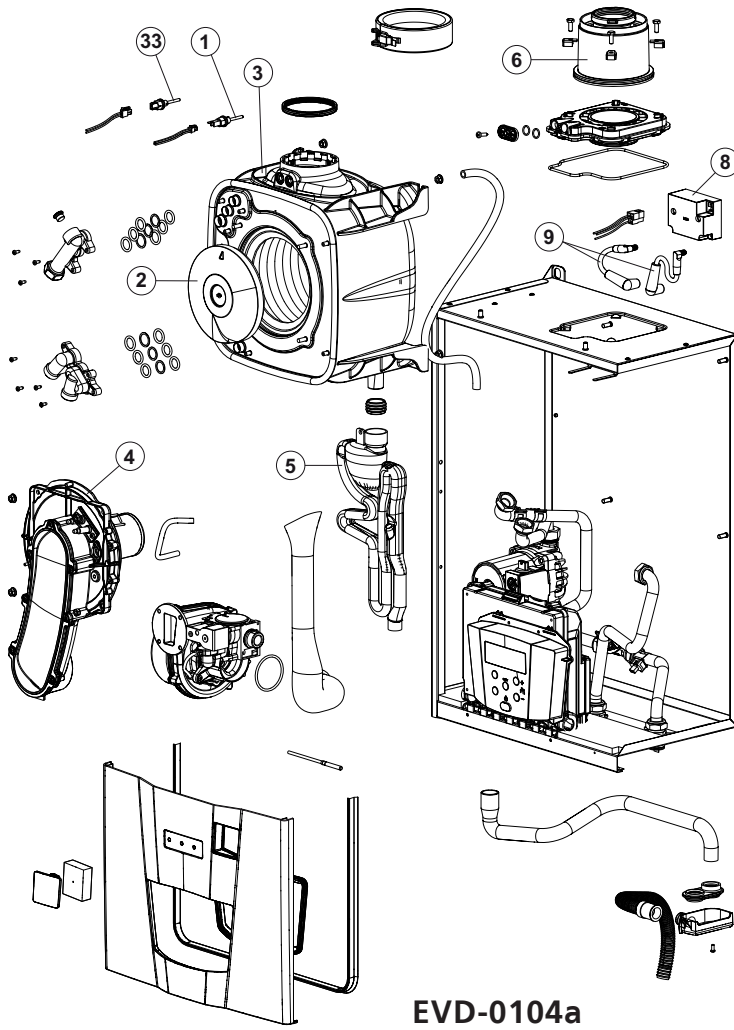
Description	IR-12-160	IR-12-200	IR-20-160	IR-20-200	IR-24-245	IR-24-285	IR-32-245	IR-32-285	IR-32-380
Conversion set to LP-gas	0312313(S)	0312313(S)	0312313(S)	0312313(S)	0312313(S)	0312313(S)	0312313(S)	0312313(S)	0312313(S)
Conversion set to NAT-gas	0312312(S)	0312312(S)	0312312(S)	0312312(S)	0312312(S)	0312312(S)	0312312(S)	0312312(S)	0312312(S)

## Innovo accessories

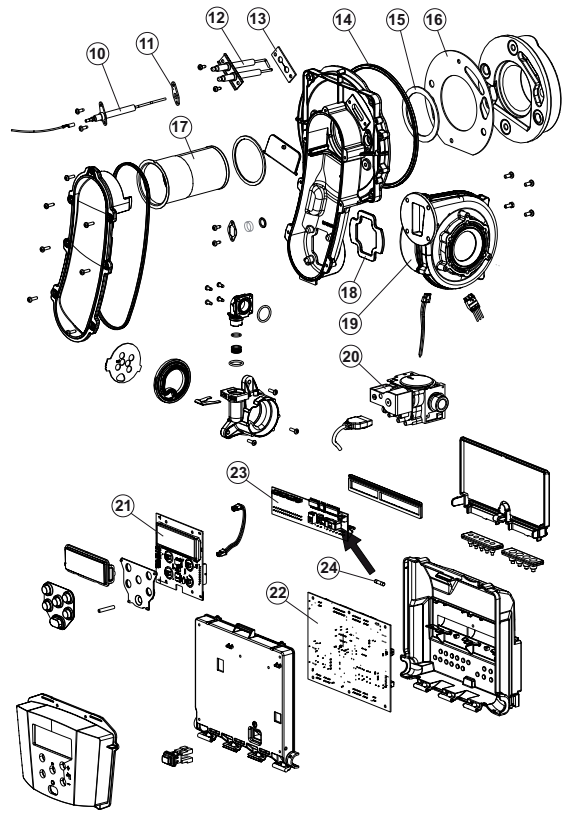
Description	IR-12-160	IR-12-200	IR-20-160	IR-20-200	IR-24-245	IR-24-285	IR-32-245	IR-32-285	IR-32-380
Isolating transformer	0312317(S)	0312317(S)	0312317(S)	0312317(S)	0312317(S)	0312317(S)	0312317(S)	0312317(S)	0312317(S)
Gas cock	0312305(S)	0312305(S)	0312305(S)	0312305(S)	0312305(S)	0312305(S)	0312305(S)	0312305(S)	0312305(S)
Inlet security group 3/4" sfr	0302706(S)	0302706(S)	0302706(S)	0302706(S)	0070066003(S)	0070066003(S)	0070066003(S)	0070066003(S)	0070066003(S)
T&P valve NO WRAS	0076527004(S)	0076527004(S)	0076527004(S)	0076527004(S)	0099383005(S)	0099383005(S)	0099383005(S)	0099383005(S)	0099383005(S)

Parts that are marked yellow are parts that are used for maintenance.

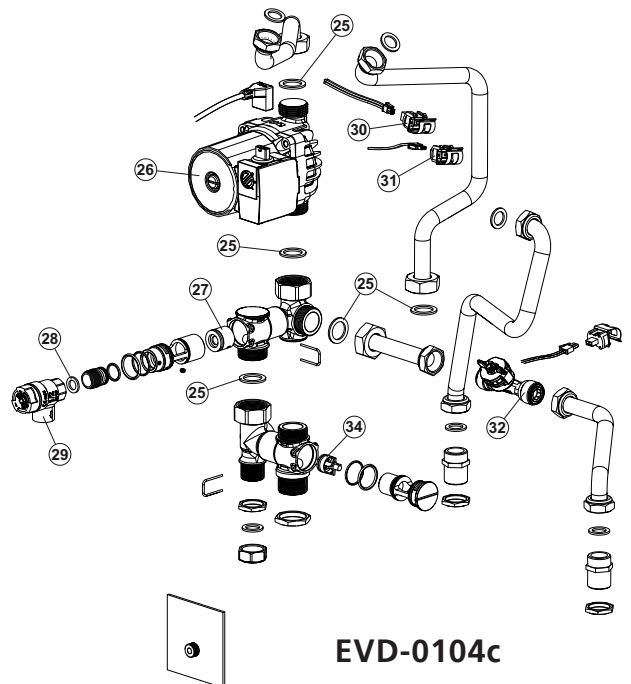
# Exploded view ICW 25-35



**EVD-0104a**

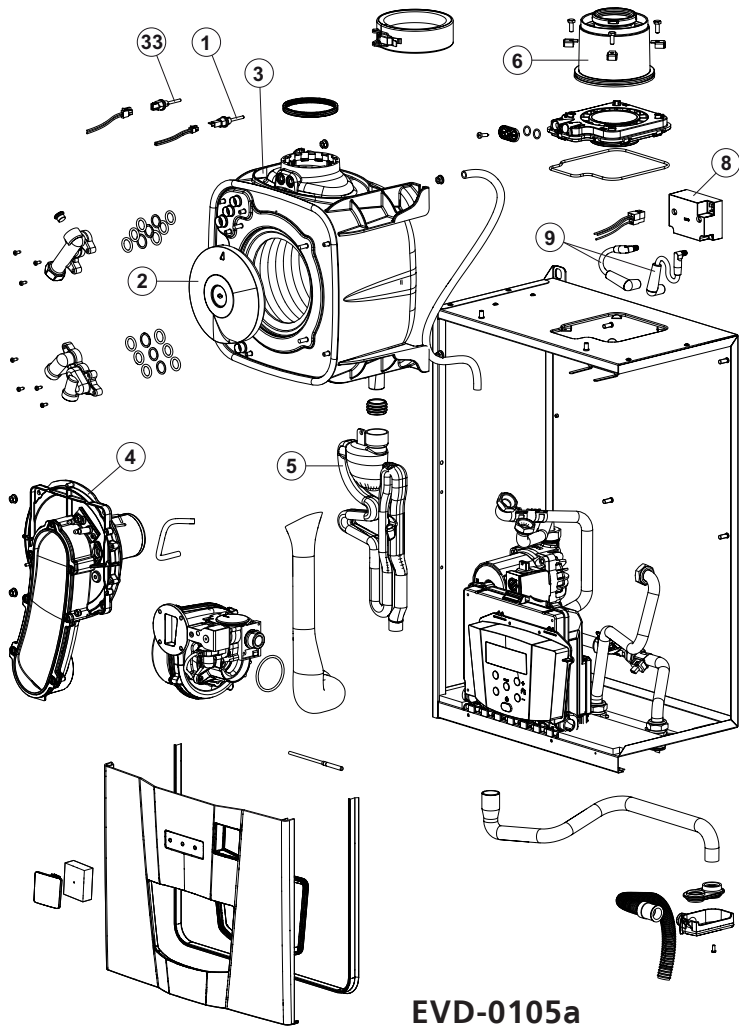


**EVD-0104b**

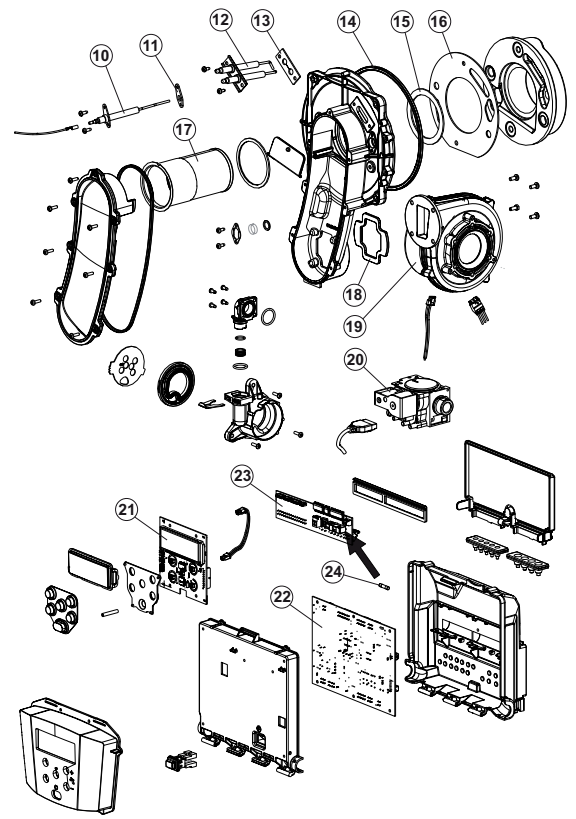


**EVD-0104c**

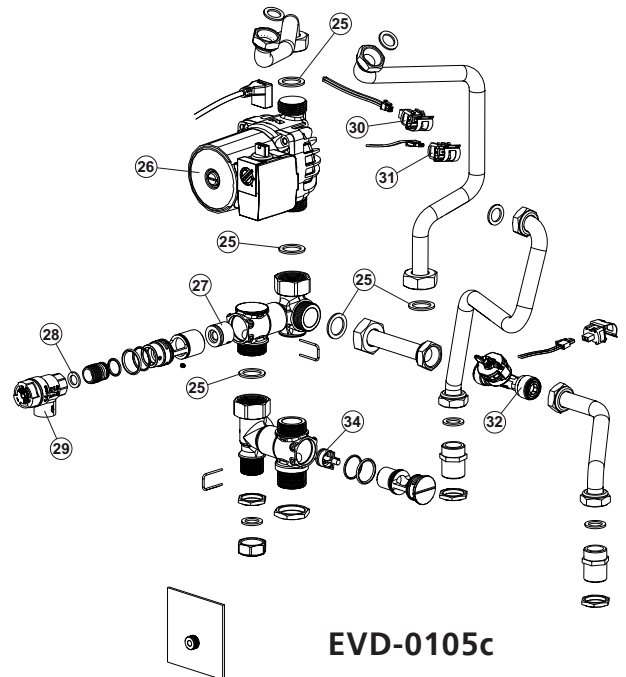
# Exploded view ICW 60



**EVD-0105a**



**EVD-0105b**



**EVD-0105c**

## Instano

### Instano parts



Nr.	Description	ICW 25	ICW 35	ICW 60
1	Sensor temperature 10 kOhm NTC L=35 Bayonette	0312398(S)	0312398(S)	0312398(S)
2	Kit thermal insulations	0312407(S)	0312407(S)	0312407(S)
3	Heat exchanger condensing	0312414(S)	0312414(S)	0312413(S)
4	Gas inlet/ burner door assy	0312412(S)	0312412(S)	n.a.
5	Condensate discharge siphon	0312390(S)	0312390(S)	0312390(S)
6	Vertical coaxial adaptor	n.a.	n.a.	0312404(S)
7	Air Vent	-	-	0312380(S)
8	Spark generator 230V high capacity	0312348(S)	0312348(S)	0312348(S)
9	Ignition cable 90°C L=155	0312338(S)	0312338(S)	0312338(S)
10	Flame detection electrode	0312408(S)	0312408(S)	0312408(S)
11	Gasket Kerasil 325R (38x17x2)	0312357(S)	0312357(S)	0312357(S)
12	Ignition electrode	0312409(S)	0312409(S)	0312409(S)
13	Gasket Kerasil 325R (56x22x2)	0312356(S)	0312356(S)	0312356(S)
14	Silicon gasket (D=200 F=188 H=7,2)	0312372(S)	0312372(S)	0312372(S)
15	Gasket S.Woll plus (D=100 SP=2)	0312355(S)	0312355(S)	0312355(S)
16	Gasket S.Woll plus (D=170 F=90 SP=2)	0312358(S)	0312358(S)	0312358(S)
17	Burner (D=70 H=200)	n.a.	n.a.	n.a.
18	Silicon Gasket (D=83 SP=3.5)	0312371(S)	0312371(S)	0312371(S)
19	Fan	0312392(S)	0312392(S)	0312391(S)
20	Gas valve	0312410(S)	0312410(S)	0312410(S)
21	Display board LED 901LB V2	0312394(S)	0312394(S)	0312394(S)
22	Main board 901MN20_3Rb20 230VAC PWM	0312393(S)	0312393(S)	0312393(S)
23	Connections board (185.6x42)	0312347(S)	0312347(S)	0312347(S)
24	Fuse (5x20) 2 glas delayed	0312337(S)	0312337(S)	0312337(S)
25	Gasket 1" G (30x21.3)	0312349(S)	0312349(S)	0312349(S)
26	Pump sanitary circulation 15/70-3	0312401(S)	0312401(S)	0312401(S)
27	Non-return valve	0312382(S)	0312382(S)	0312382(S)
28	Gasket 1/2" G (D=18.5x11.5)	0312350(S)	0312350(S)	0312350(S)
29	Relief valve 1/2 FF 10 BAR	0312381(S)	0312381(S)	0312381(S)
30	Clip sensor 4 poles	0312396(S)	0312396(S)	0312400(S)
31	Clip sensor 2 poles	0312395(S)	0312395(S)	0312399(S)
32	Vortex flow sensor	0312384 (S)	0312385 (S)	0312386 (S)
33	Bayonette fuse 102°C 2P Molex	0312397(S)	0312397(S)	0312397(S)
34	By-pass valve DN20 0.1 BAR	0312383(S)	0312383(S)	0312383(S)

### Instano conversion sets

Description	ICW 25	ICW 35	ICW 60
Conversion set to NAT-gas (G20)	0312234(S)	n.a.	0312325(S)
Conversion set to NAT-gas (G25)	0312235(S)	n.a.	n.a.
Conversion set to LP-gas (G30)	0312232(S)	0312323(S)	0312327(S)
Conversion set to LP-gas (G31)	0312233(S)	n.a.	0312328(S)

Parts that are marked yellow are parts that are used for maintenance.

IT

## IT 300-1000 parts



Nr.	Description	date	300	300	400	500	600	750	1000
			before 01-06-'17	after 01-06-'17					
1	Anode		0313236(S)	0312657(S)	0338103(S)	0301639(S)	0301641(S)	0301641(S)	0301641(S)
	Flexible anode		-	-	0301727(S)	0301727(S)	0301727(S)	0301727(S)	0301727(S)
2	Gasket cleaning opening		0303845(S)	0312658(S)	0301535(S)	0301535(S)	0301536(S)	0301536(S)	0301536(S)
3	Immersion well 120mm		0303840(S)	-	-	-	-	-	-
	Immersion well set 100mm		-	0312789(S)	-	-	-	-	-
5	Leveling screw		0303820(S)	-	-	-	-	-	-
			0304507(S)	0312661(S)	-	-	-	-	-
6	Cover inspection opening	before 18-09-'17	-	-	0304507(S)	0304507(S)	0304509(S)	0304509(S)	0304509(S)
		after 18-09-'17	-	-	0312812(S)	0312812(S)	0312816(S)	0312816(S)	0312816(S)
7	Cover jacket		0304504(S) *	0312662(S)	-	-	-	-	-
		before 18-09-'17	-	-	0304504(S) #	0304504(S) #	0304505(S) #	0304505(S) #	0304506(S) #
	after 18-09-'17	-	-	0312778(S) ##	0312926(S) ##	0312779(S) ##	0312927(S) ##	0312811(S) ##	
8	Insulation cover jacket		-	-	0312970(S)	0312970(S)	0312972(S)	0312972(S)	0312794(S)
9	Insulation package		-	0312654(S)	0312709(S)	0312710(S)	0312711(S)	0312712(S)	0312713(S)
10	Flange clean out (Flange, Gasket and Bolts)		0303844(S)	0312659(S)	-	-	-	-	-
	Flange clean out		-	-	0301517(S)	0301517(S)	0301534(S)	0301534(S)	0301534(S)

# The insulation, which is located under the cover, is part of the insulation package and cannot be ordered separately.  
 ## The insulation, which is located under the cover, is part of the insulation package and can also be ordered separately, see 8.

## IT 300-1000 accessories

Description	date	300	400	500	600	750	1000
Thermometer set		0304593(S)	0304593(S)	0304593(S)	0304594(S)	0304594(S)	0304594(S)
Electrical element Flange connection on water heater	2.0 kW	0304285(S)	0304285(S)	0304285(S)	0304285(S) #	0304285(S) #	0304285(S) #
	2.5 kW	0304286(S)	0304286(S)	0304286(S)	0304286(S) #	0304286(S) #	0304286(S) #
	3.3 kW	0304287(S)	0304287(S)	0304287(S)	0304287(S) #	0304287(S) #	0304287(S) #
	6.0 kW	0304288(S)	0304288(S)	0304288(S)	0304288(S) #	0304288(S) #	0304288(S) #
	7.5 kW	0304289(S)	0304289(S)	0304289(S)	0304289(S) #	0304289(S) #	0304289(S) #
	18 kW	-	-	-	0313990(S)	0313990(S)	0313990(S)
	24 kW	-	-	-	0313991(S)	0313991(S)	0313991(S)
	27 kW	-	-	-	0313992(S)	0313992(S)	0313992(S)
Electrical element 1 1/2" connection on water heater	36 kW	-	-	-	0313993(S)	0313993(S)	0313993(S)
	48 kW	-	-	-	0313994(S)	0313994(S)	0313994(S)
	2.0 kW	0304291(S) ##	0304291(S) ##	0304291(S) ##	0304291(S) ###	0304291(S) ###	0304291(S) ###
	2.5 kW	0304292(S) ##	0304292(S) ##	0304292(S) ##	0304292(S) ###	0304292(S) ###	0304292(S) ###
	3.0 kW	0304293(S) ##	0304293(S) ##	0304293(S) ##	0304293(S) ###	0304293(S) ###	0304293(S) ###
	4.5 kW	0304294(S) ##	0304294(S) ##	0304294(S) ##	0304294(S) ###	0304294(S) ###	0304294(S) ###
	6.0 kW	0304295(S) ##	0304295(S) ##	0304295(S) ##	0304295(S) ###	0304295(S) ###	0304295(S) ###
	7.5 kW	0304296(S) ##	0304296(S) ##	0304296(S) ##	0304296(S) ###	0304296(S) ###	0304296(S) ###
Reducing flange		-	-	-	0304405(S)	0304405(S)	0304405(S)
Flange		0304752(S)	0304752(S)	0304752(S)	0304752(S)	0304752(S)	0304752(S)
Cover strip assy		0313719(S)	0313749(S)	0313749(S)	0313749(S)	0313749(S)	0313749(S)
Inlet security group DN40		-	0309927(S)	0309927(S)	0309927(S)	0309927(S)	0309927(S)
Reducing nipple set 2" BSP F to R 1" M	before 18-09-'17	-	0309754(S)	0309754(S)	-	-	-
Reducing nipple set 2" BSP F to R 1 1/2" M	before 18-09-'17	-	0309755(S)	0309755(S)	-	-	-
Reducing nipple set 2 1/2" BSP F to R 1" M	before 18-09-'17	-	-	-	0309756(S)	0309756(S)	0309756(S)
Reducing nipple set 2 1/2" BSP F to R 1 1/4" M	before 18-09-'17	-	-	-	0309757(S)	0309757(S)	0309757(S)
Reducing nipple set 2 1/2" BSP F to R 1 1/2" M	before 18-09-'17	-	-	-	0309758(S)	0309758(S)	0309758(S)

# With this element also flange 0304405(S) must be mounted  
 ## With this element also flange 0304752(S) must be mounted  
 ### With this element also flange 0304405(S) and 0304752(S) must be mounted

## Spare parts for accessories

Description	Nr.	Gasket	Over temp. thermostat	Control thermostat
Electrical element Flange connection on water heater	18 kW	0313990(S)	0336030(S)	0336031(S)
	24 kW	0313991(S)		
	27 kW	0313992(S)		
	36 kW	0313993(S)		
	48 kW	0313994(S)		

Parts that are marked yellow are parts that are used for maintenance.

# IT

## IT 1500-3000 parts



Nr.	Description	date	1500	2000	2500	3000
1	Insulation package		0312842(S)	0312843(S)	0312844(S)	0312845(S)
2	Cover Insulation package		0313538(S)	0313538(S)	0313539(S)	0313539(S)
3	Flange clean out with immersion well		0307130(S)	0307130(S)	0307130(S)	0307130(S)
4	Gasket clean out		0307126(S)	0307126(S)	0307126(S)	0307126(S)
5	Thermostat		0307129(S)	0307129(S)	0307129(S)	0307129(S)
6	Hot water outlet connection Flange, Gasket, Bolts and Nuts	before 03-01-'16 after 04-01-'16	0307132(S) 0311426(S)	0307132(S) 0311426(S)	0307132(S) 0311426(S)	0307132(S) 0311426(S)
7	Gasket hot water outlet connection	after 04-01-'16	0311995(S)	0311995(S)	0311995(S)	0311995(S)
8	Anode (3x)		0311083(S)	0311083(S)	0311084(S)	0311084(S)

## IT 1500-3000 accessories

Description	1500	2000	2500	3000
Thermometer kit	0308176(S)	0308176(S)	0308176(S)	0308176(S)
Electrical element Flange connection on water heater	12 kW	0313997(S)	0313997(S)	0313997(S)
	18 kW	0313998(S)	0313998(S)	0313998(S)
	24 kW	0313999(S)	0313999(S)	0313999(S)
	30 kW	0336000(S)	0336000(S)	0336000(S)
	36 kW	0336001(S)	0336001(S)	0336001(S)
	45 kW	-	-	0336002(S)
Extension nipple	0309082(S)	0309082(S)	0309082(S)	0309082(S)
Reducing nipple	R 2" x R 1"	0309083(S)	0309083(S)	0309083(S)
	R 2" x R 1 1/2 "	0309084(S)	0309084(S)	0309084(S)
Reducing nipple set	2" BSp F x R 1" M	0309754(S) #	0309754(S) #	0309754(S) #
	2" BSp F x R 1 1/2" M	0309755(S) ##	0309755(S) ##	0309755(S) ##

# This set consists of 2x Extension nipple 2x 2" BSP F and 2x Reducing nipple 2" BSP M to R 1" M  
 ## This set consists of 2x Extension nipple 2x 2" BSP F and 2x Reducing nipple 2" BSP M to R 1 1/2" M

## Spare parts for accessories

Description	Nr.	Gasket	Over temp. thermostat	Control thermostat
Electrical element Flange connection on water heater	12 kW	0313997(S)	0336027(S)	0336030(S)
	18 kW	0313998(S)		
	24 kW	0313999(S)		
	30 kW	0336000(S)		
	36 kW	0336001(S)		
	45 kW	0336002(S)		
			0336031(S)	

Parts that are marked yellow  
 are parts that are used for maintenance.

## ITE

### ITE 400-1000 parts



Nr.	Description	date	400	500	600	750	1000
1	Anode		0338103(S)	0301639(S)	0301641(S)	0301641(S)	0301641(S)
	Flexible anode		0301727(S)	0301727(S)	0301727(S)	0301727(S)	0301727(S)
2	Gasket clean out		0301535(S)	0301535(S)	0301536(S)	0301536(S)	0301536(S)
6	Cover front	before 17-09-'17	0304507(S)	0304507(S)	0304509(S)	0304509(S)	0304509(S)
		after 18-09-'17	0312812(S)	0312812(S)	0312816(S)	0312816(S)	0312816(S)
7	Cover jacket	before 17-09-'17	0304504(S) #	0304504(S) #	0304505(S) #	0304505(S) #	0304506(S) #
		after 18-09-'17	0312778(S) ##	0312778(S) ##	0312779(S) ##	0312779(S) ##	0312811(S) ##
8	Insulation cover jacket		0312970(S)	0312970(S)	0312972(S)	0312972(S)	0312974(S)
9	Insulation package		0312719(S)	0312720(S)	0312721(S)	0312722(S)	0312723(S)
10	Flange clean out		0301517(S)	0301517(S)	0301534(S)	0301534(S)	0301534(S)

# The insulation, which is located under the cover, is part of the insulation package and cannot be ordered separately.  
 ## The insulation, which is located under the cover, is part of the insulation package and can also be ordered separately, see 8.

### ITE 400-1000 accessories

Description	date	400	500	600	750	1000
Thermometer kit		0304593(S)	0304593(S)	0304594(S)	0304594(S)	0304594(S)
Electrical element Flange connection on water heater	2.0 kW	0304285(S)	0304285(S)	0304285(S) #	0304285(S) #	0304285(S) #
	2.5 kW	0304286(S)	0304286(S)	0304286(S) #	0304286(S) #	0304286(S) #
	3.3 kW	0304287(S)	0304287(S)	0304287(S) #	0304287(S) #	0304287(S) #
	6.0 kW	0304288(S)	0304288(S)	0304288(S) #	0304288(S) #	0304288(S) #
	7.5 kW	0304289(S)	0304289(S)	0304289(S) #	0304289(S) #	0304289(S) #
Electrical element 1 1/2" connection on water heater	2.0 kW	0304291(S) ##	0304291(S) ##	0304291(S) ###	0304291(S) ###	0304291(S) ###
	2.5 kW	0304292(S) ##	0304292(S) ##	0304292(S) ###	0304292(S) ###	0304292(S) ###
	3.0 kW	0304293(S) ##	0304293(S) ##	0304293(S) ###	0304293(S) ###	0304293(S) ###
	4.5 kW	0304294(S) ##	0304294(S) ##	0304294(S) ###	0304294(S) ###	0304294(S) ###
	6.0 kW	0304295(S) ##	0304295(S) ##	0304295(S) ###	0304295(S) ###	0304295(S) ###
	7.5 kW	0304296(S) ##	0304296(S) ##	0304296(S) ###	0304296(S) ###	0304296(S) ###
Reducing flange		-	-	0304405(S)	0304405(S)	0304405(S)
Flange		0304752(S)	0304752(S)	0304752(S)	0304752(S)	0304752(S)
Inlet security group DN40		0309927(S)	0309927(S)	0309927(S)	0309927(S)	0309927(S)
Reducing nipple set 2" BSP F to R 1" M		0309754(S)	0309754(S)	-	-	-
Reducing nipple set 2" BSP F to R 1 1/2" M		0309755(S)	0309755(S)	-	-	-
Reducing nipple set 2 1/2" BSP F to R 1" M		-	-	0309756(S)	0309756(S)	0309756(S)
Reducing nipple set 2 1/2" BSP F to R 1 1/4" M		-	-	0309757(S)	0309757(S)	0309757(S)
Reducing nipple set 2 1/2" BSP F to R 1 1/2" M		-	-	0309758(S)	0309758(S)	0309758(S)
Cover strip assy		0313749(S)	0313749(S)	0313749(S)	0313749(S)	0313749(S)

# With this element also flange 0304405(S) must be mounted  
 ## With this element also flange 0304752(S) must be mounted  
 ### With this element also flange 0304405(S) and 0304752(S) must be mounted

Parts that are marked yellow  
 are parts that are used for maintenance.



ITS

## ITS parts



Nr.	description	date	300		400	500	600	750	1000
			before 01-06-'17	after 01-06-'17					
1	Anode		0313236(S)	0312657(S)	0301639(S)	0301639(S)	0301641(S)	0301641(S)	0301641(S)
	Flexible anode		-	-	0301727(S)	0301727(S)	0301727(S)	0301727(S)	0301727(S)
2	Gasket clean out		0303845(S)	0312658(S)	0301535(S)	0301535(S)	0301536(S)	0301536(S)	0301536(S)
	Immersion well 120 mm		0303840(S)	-	-	-	-	-	-
3	Immersion well Set		-	0312790(S)	-	-	-	-	-
			0303841(S)	-	-	-	-	-	-
4	Immersion well 55 mm		0303820(S)	-	-	-	-	-	
5	Leveling screw		0304507(S)	0312661(S)	-	-	-	-	-
			-	-	0304507(S)	0304507(S)	0304509(S)	0304509(S)	0304509(S)
6	Cover front	before 18-09-'17	-	-	0312812(S)	0312812(S)	0312816(S)	0312816(S)	0312816(S)
		after 18-09-'17	-	-	-	-	-	-	-
7	Cover jacket		0304504(S) *	0312662(S)	-	-	-	-	-
		before 18-09-'17	-	-	0304504(S) #	0304504(S) #	0304505(S) #	0304505(S) #	0304506(S) #
8	Insulation cover jacket		-	-	0312778(S) ##	0312926(S) ##	0312779(S) ##	0312927(S) ##	0312811(S) ##
		after 18-09-'17	-	-	0312970(S)	0312970(S)	0312972(S)	0312972(S)	0312794(S)
9	Insulation package		0303724(S)	-	-	-	-	-	-
	Insulation Jacket, Isolation Top and Cover Jacket		-	0312654(S)	0312714(S)	0312715(S)	0312716(S)	0312717(S)	0312718(S)
10	Flange clean out		0303844(S)	0312659(S)	-	-	-	-	-
			-	-	0301517(S)	0301517(S)	0301534(S)	0301534(S)	0301534(S)

# The insulation, which is located under the cover, is part of the insulation package and cannot be ordered separately.  
 ## The insulation, which is located under the cover, is part of the insulation package and can also be ordered separately, see 8.

## ITS accessories

description	300		400	500	600	750	1000
	before 01-06-'17	after 01-06-'17					
Thermometer	0304593(S)	0304593(S)	0304593(S)	0304593(S)	0304594(S)	0304594(S)	0304594(S)
Electrical element	2.0 kW	0304285(S)	0304285(S)	0304285(S)	0304285(S) #	0304285(S) #	0304285(S) #
	2.5 kW	0304286(S)	0304286(S)	0304286(S)	0304286(S) #	0304286(S) #	0304286(S) #
	3.3 kW	0304287(S)	0304287(S)	0304287(S)	0304287(S) #	0304287(S) #	0304287(S) #
	6.0 kW	0304288(S)	0304288(S)	0304288(S)	0304288(S) #	0304288(S) #	0304288(S) #
	7.5 kW	0304289(S)	0304289(S)	0304289(S)	0304289(S) #	0304289(S) #	0304289(S) #
Flange connection on water heater	18 kW	-	-	-	0313990(S)	0313990(S)	0313990(S)
	24 kW	-	-	-	0313991(S)	0313991(S)	0313991(S)
	27 kW	-	-	-	0313992(S)	0313992(S)	0313992(S)
	36 kW	-	-	-	0313993(S)	0313993(S)	0313993(S)
	48 kW	-	-	-	0313994(S)	0313994(S)	0313994(S)
Electrical element 1 1/2" connection on water heater	2.0 kW	0304291(S) ##	0304291(S) ##	0304291(S) ##	0304291(S) ##	0304291(S) ###	0304291(S) ###
	2.5 kW	0304292(S) ##	0304292(S) ##	0304292(S) ##	0304292(S) ##	0304292(S) ###	0304292(S) ###
	3.0 kW	0304293(S) ##	0304293(S) ##	0304293(S) ##	0304293(S) ##	0304293(S) ###	0304293(S) ###
	4.5 kW	0304294(S) ##	0304294(S) ##	0304294(S) ##	0304294(S) ##	0304294(S) ###	0304294(S) ###
	6.0 kW	0304295(S) ##	0304295(S) ##	0304295(S) ##	0304295(S) ##	0304295(S) ###	0304295(S) ###
	7.5 kW	0304296(S) ##	0304296(S) ##	0304296(S) ##	0304296(S) ##	0304296(S) ###	0304296(S) ###
Reducing flange	-	-	-	-	0304405(S)	0304405(S)	0304405(S)
Flange	0304752(S)	0304752(S)	0304752(S)	0304752(S)	0304752(S)	0304752(S)	0304752(S)
Cover strip assy	0313719(S)	0313749(S)	0313749(S)	0313749(S)	0313749(S)	0313749(S)	0313749(S)
Inlet security group DN40	-	-	0309927(S)	0309927(S)	0309927(S)	0309927(S)	0309927(S)
Reducing nipple set 2" BSP F to R 1" M	-	-	0309754(S)	0309754(S)	-	-	-
Reducing nipple set 2" BSP F to R 1 1/2" M	-	-	0309755(S)	0309755(S)	-	-	-
Reducing nipple set 2 1/2" BSP F to R 1" M	-	-	-	-	0309756(S)	0309756(S)	0309756(S)
Reducing nipple set 2 1/2" BSP F to R 1 1/4" M	-	-	-	-	0309757(S)	0309757(S)	0309757(S)
Reducing nipple set 2 1/2" BSP F to R1 1/2" M	-	-	-	-	0309758(S)	0309758(S)	0309758(S)

# With this element also flange 0304405(S) must be mounted.  
 ## With this element also flange 0304752(S) must be mounted.  
 ### With this element also flange 0304405(S) and 0304752(S) must be mounted.

## Spare parts for accessories

Description	Nr.	Gasket	Over temp. thermostat	Control thermostat
Electrical element Flange connection on water heater	18 kW	0313990(S)	0336030(S)	0336031(S)
	24 kW	0313991(S)		
	27 kW	0313992(S)		
	36 kW	0313993(S)		
	48 kW	0313994(S)		

Parts that are marked yellow  
 are parts that are used for maintenance.

# PHE

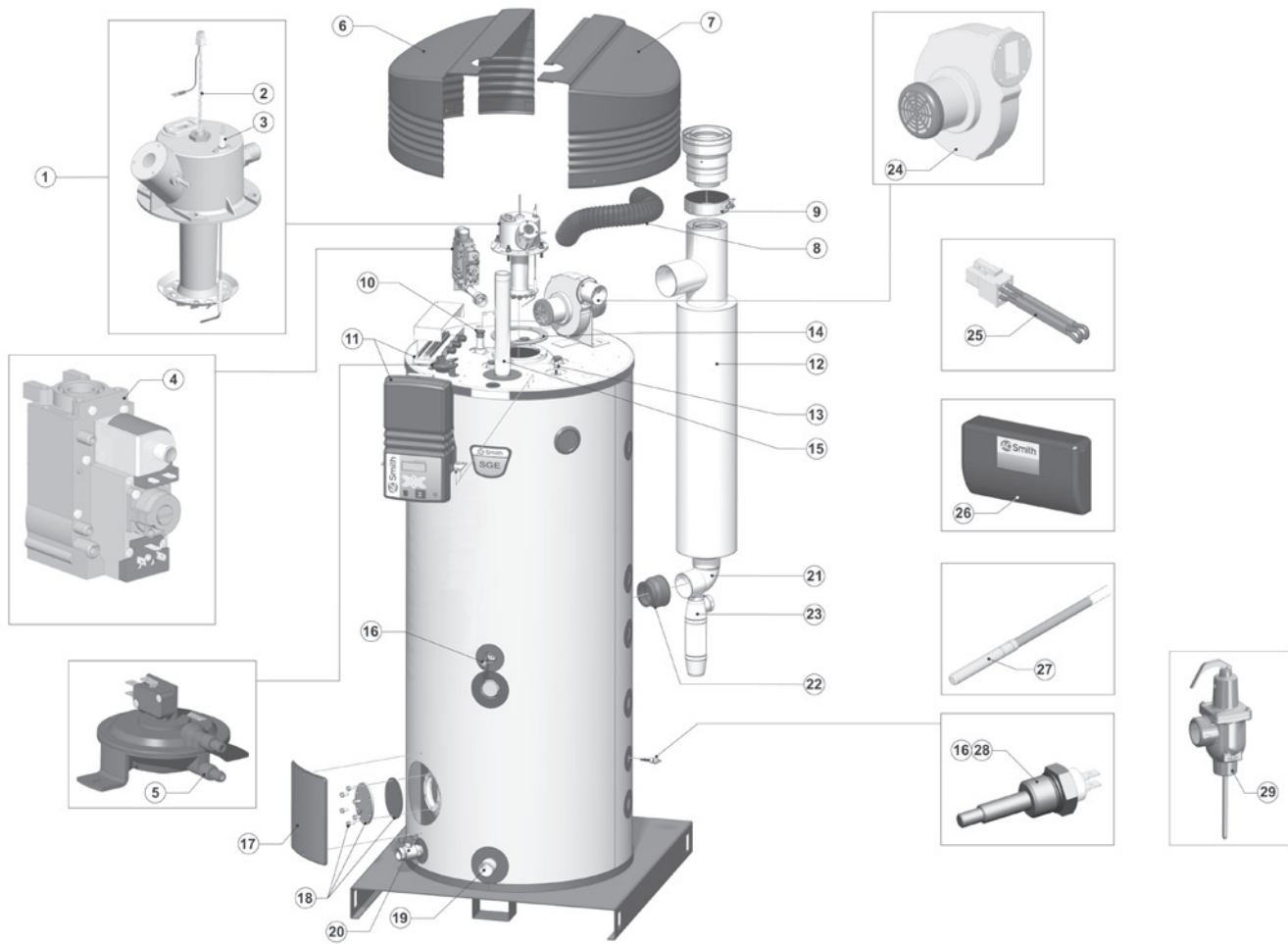
## PHE Plate heat exchanger



description	article number
Insulation set PHE 50/75	0307623(S)
Insulation set PHE 100/150	0307625(S)
Insulation set PHE 175/225	0307627(S)
Insulation set PHE 250	0307629(S)

Parts that are marked yellow are parts that are used for maintenance.

Exploded view SGE before 22-10-'09



EVD-0045

# SGE before 22-10-'09

## SGE parts

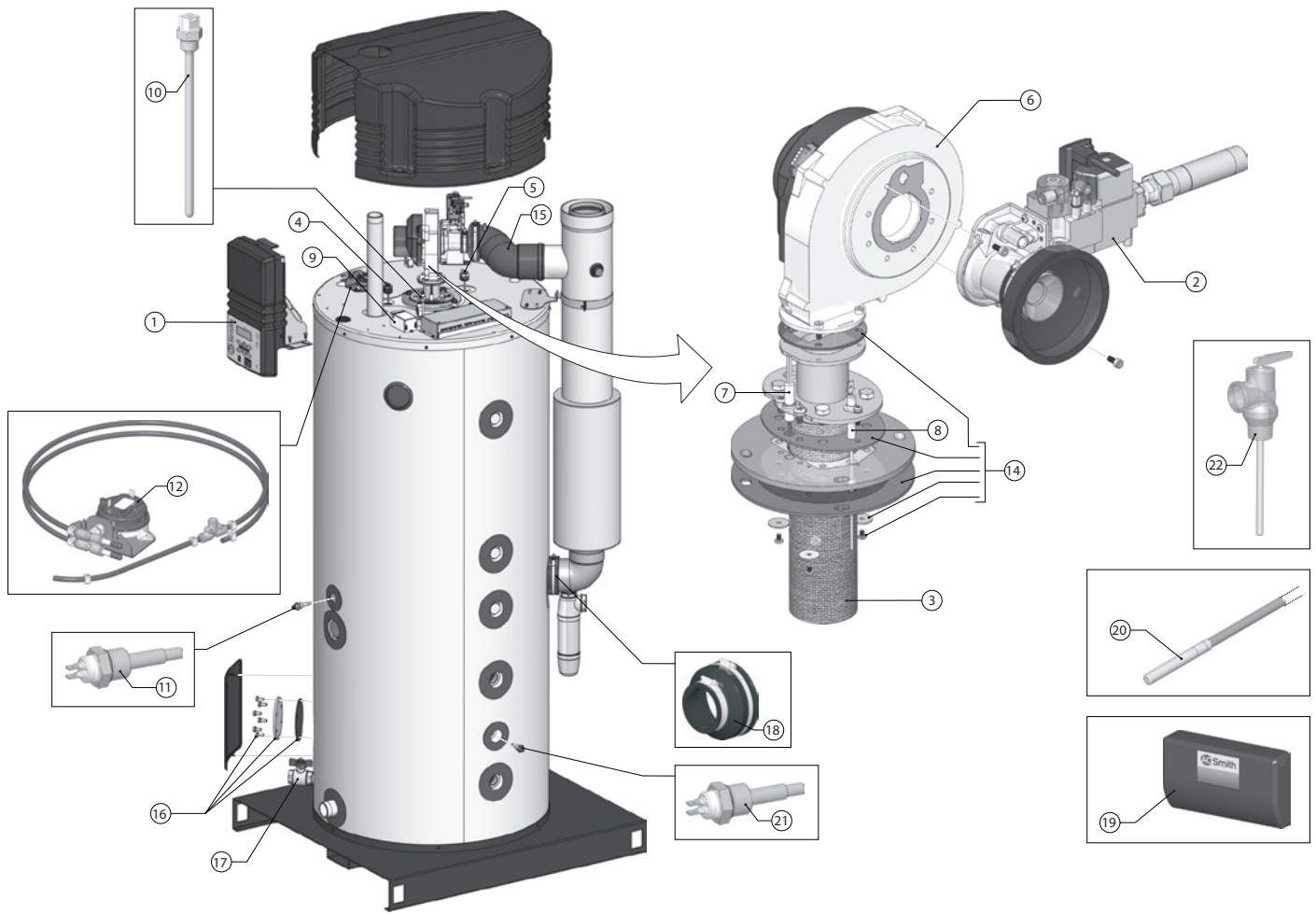


nr	description	date	40	60
1	Burner		n.a.	n.a.
2	Hot surface igniter		0304079(S)	0304079(S)
3	Flame probe		0192478(S)	0192478(S)
4	Gas control		0300808(S)	0300808(S)
5	Differential air pressure switch		0309054(S)	0308872(S)
8	Air supply hose		0304035(S)	0304035(S)
9	Clamping strip Ø 130 mm		0305027(S)	0305027(S)
10	Anode		0183463039(S) (4x)	0183463039(S) (4x)
	Flexible anode		0304728(S) (4x)	0304728(S) (4x)
11	Appliance control service kit		0308882(S)	0308882(S)
12	Transition piece damper		0304987(S)	0304987(S)
13	Temperature sensor T2 (top tank)		0304469(S)	0304469(S)
14	Gasket burner/tank		0192331(S)	0192331(S)
15	Hot water outlet nipple		0304017(S)	0304017(S)
16	Temperature sensor T1 (bottom tank)		0308149(S)	0308149(S)
17	Cover plate cleaning opening		0039137002/24(S)	0039137002/24(S)
18	Cleaning opening set		0305082(S)	0305082(S)
19	Cold water inlet nipple		0070615(S)	0070615(S)
20	Drain valve		0308997(S)	0308997(S)
21	Bend		0304986(S)	0304986(S)
22	Adapting socket		0192636(S)	0192636(S)
23	Siphon		0307725(S)	0307725(S)
24	Fan kit		0304104(S)	0304104(S)
25	Flue gas sensor		0304301(S)	0304301(S)
26	Solar system control service kit		0308874(S)	0308874(S)
27	Temperature sensor S1 (in solar collector)		0308904(S)	0308904(S)
28	Temperature sensor S2 (in solar heat exchanger)		0308149(S)	0308149(S)
	Service kit Q/T sensor		0313621(S)	0313621(S)

## SGE accessories

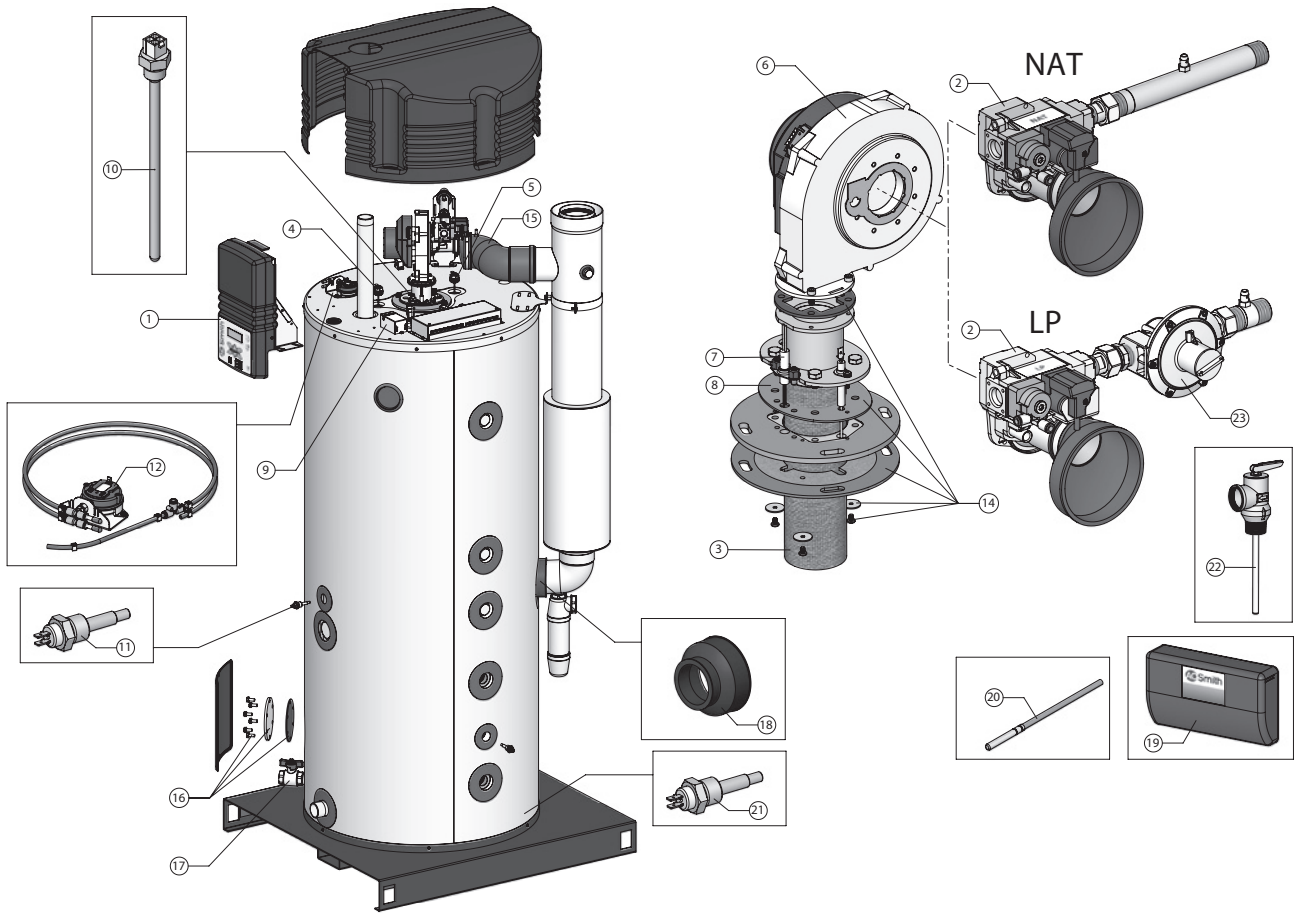
description	date	40	60
Gas cock ¾" kit		0300719(S)	0300719(S)
Inlet security group G1"		0070066003(S)	0070066003(S)
Reducing Nipple Rp1½" x 22 mm press		0309411(S)	0309411(S)
Reducing Nipple Rp1½" x 28 mm press		0309412(S)	0309412(S)
Reducing Nipple Rp1½" x 35 mm press		n.a.	n.a.
Dummy (sensor solarkit)		0309152(S)	0309152(S)
Isolating transformer		0306054(S)	0306054(S)
Power anode kit		0309217(S)	0309217(S)
Extension nipple (T&P)		0306713(S)	0306713(S)
Combined flow and temp. sensor		0309285(S)	0309285(S)

Exploded view SGE from 22-10-'09 until 03-02-'13



EVD-0056 R0

# Exploded view SGE after 04-02-'13



EVD-0056 R1

# SGE after 22-10-'09

## SGE parts



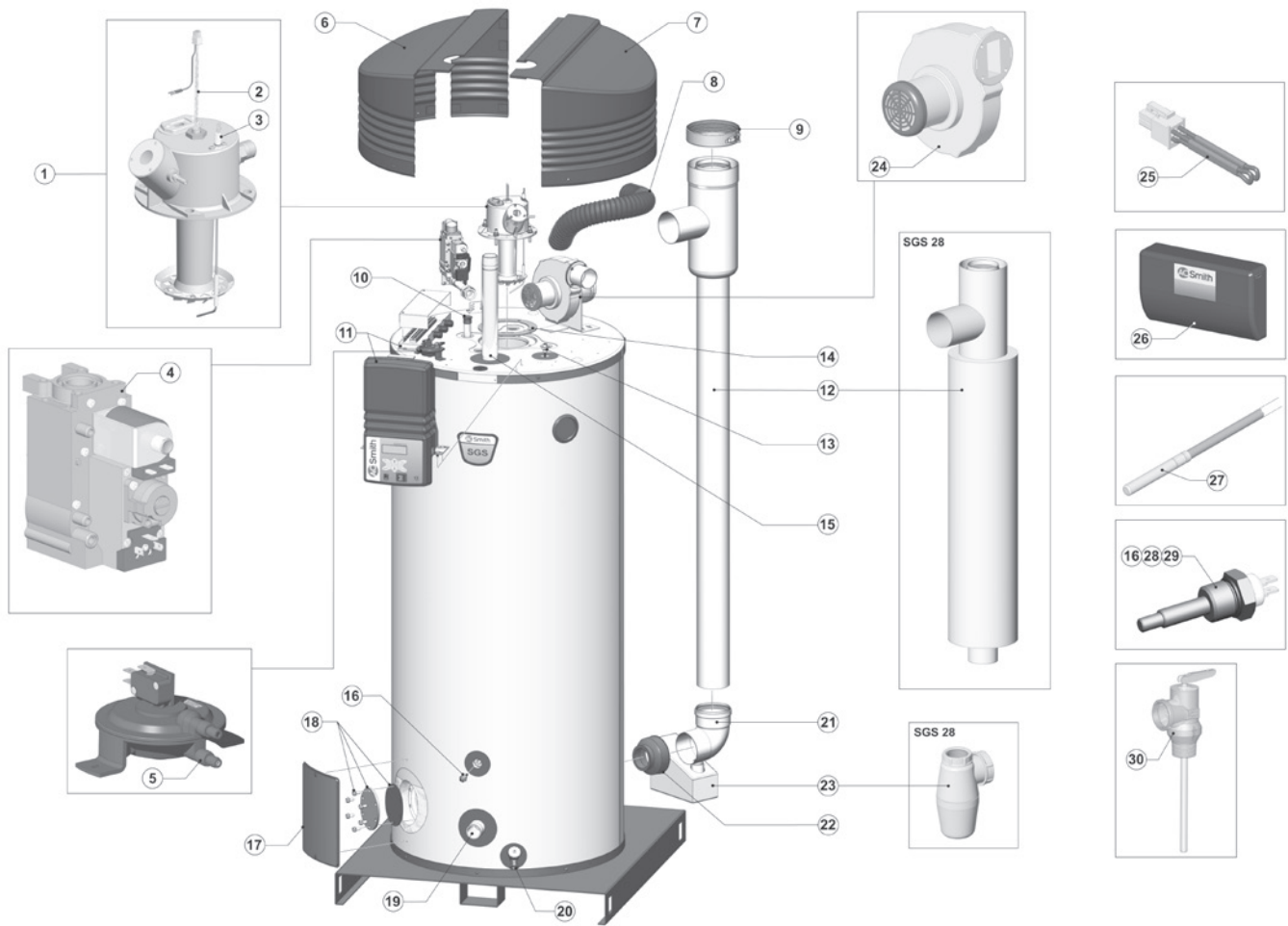
Nr	description	date	40	60
1	Control	before 28-07-'13	n.a.	n.a.
		after 29-07-'13	0311159(S)	0311159(S)
2	Gas control (NAT)	before 03-02-'13	0310186(S)	0310186(S)
		after 04-02-'13	0310155(S)	0310155(S)
	Gas control (LP)	before 03-02-'13	0310188(S)	0310188(S)
		after 04-02-'13	0310157(S)	0310157(S)
3	Burner		0309297(S)	0309297(S)
4	Power anode		0197709(S)	0197709(S)
5	Power anode		0197710(S)	0197710(S)
6	Fan		0309159(S)	0309159(S)
7	Glow igniter		0309232(S)	0309232(S)
8	Flame probe		0310075(S)	0310075(S)
9	Potentiostat		0306160(S)	0306160(S)
10	Temperature sensor (top of tank)		0311295(S)	0311295(S)
11	Temperature sensor (bottom of tank)		0308149(S)	0308149(S)
12	Differential air pressure switch		0309169(S)	0309169(S)
13	Harness		0309136(S)	0309136(S)
14	Gaskets		0309608(S)	0309608(S)
15	Air inlet		0309148(S)	0309148(S)
16	Cleaning opening		0305082(S)	0305082(S)
17	Drain valve		0026273004(S)	0026273004(S)
18	Plastic adapting socket (exit heat exchanger)		0192636(S)	0192636(S)
19	Solar system control	before 26-07-'15	0311055(S)	0311055(S)
		after 27-07-'15	0311617(S)	0311617(S)
20	Temperature sensor (collector)		0308904(S)	0308904(S)
21	Temperature sensor (small heat exchanger)		0308149(S)	0308149(S)
22	T&P Valve 1" NO WRAS		0099383005(S)	0099383005(S)
23	Reducing valve	after 04-02-'13	0310180(S)	0310180(S)
24	Cover potentiostat	after 04-05-'15	0311486(S)	0311486(S)
-	Service Kit Q/T Sensor		0313621(S)	0313621(S)
-	Cable gas valve		0309336(S)	0309336(S)

## SGE accessories

description	date	40	60
Conversion set to LP-gas	before 03-02-'13	0309540(S)	0309540(S)
	after 04-02-'13	0310936(S)	0310936(S)
Conversion set to NAT-gas	before 03-02-'13	0309541(S)	0309541(S)
	after 04-02-'13	0312594(S)	0312594(S)
Gas cock		0300719(S)	0300719(S)
Inlet security group G1"		0070066003(S)	0070066003(S)
Inlet security group DN40		0309927(S)	0309927(S)
Reducing Nipple (for T&P)		0306713(S)	0306713(S)
Reducing Nipple Rp1½"x 22 mm press		0309411(S)	0309411(S)
Reducing Nipple Rp1½"x 28 mm press		0309412(S)	0309412(S)
Reducing Nipple Rp1½"x 35 mm press		n.a.	n.a.
Combined flow & temperature sensor		0309285(S)	0309285(S)
Dummy (sensor solarkit)		0309152(S)	0309152(S)
Isolation transformer		0309887(S)	0309887(S)
Expansion valve (1/2" / 8 bar)		0305712(S)	0305712(S)
Extension cable collector sensor (5 mtr)		0309197(S)	0309197(S)
BMS interface		0310013(S)	0310013(S)
Remote display		0309999(S)	0309999(S)

Parts that are marked yellow are parts that are used for maintenance.

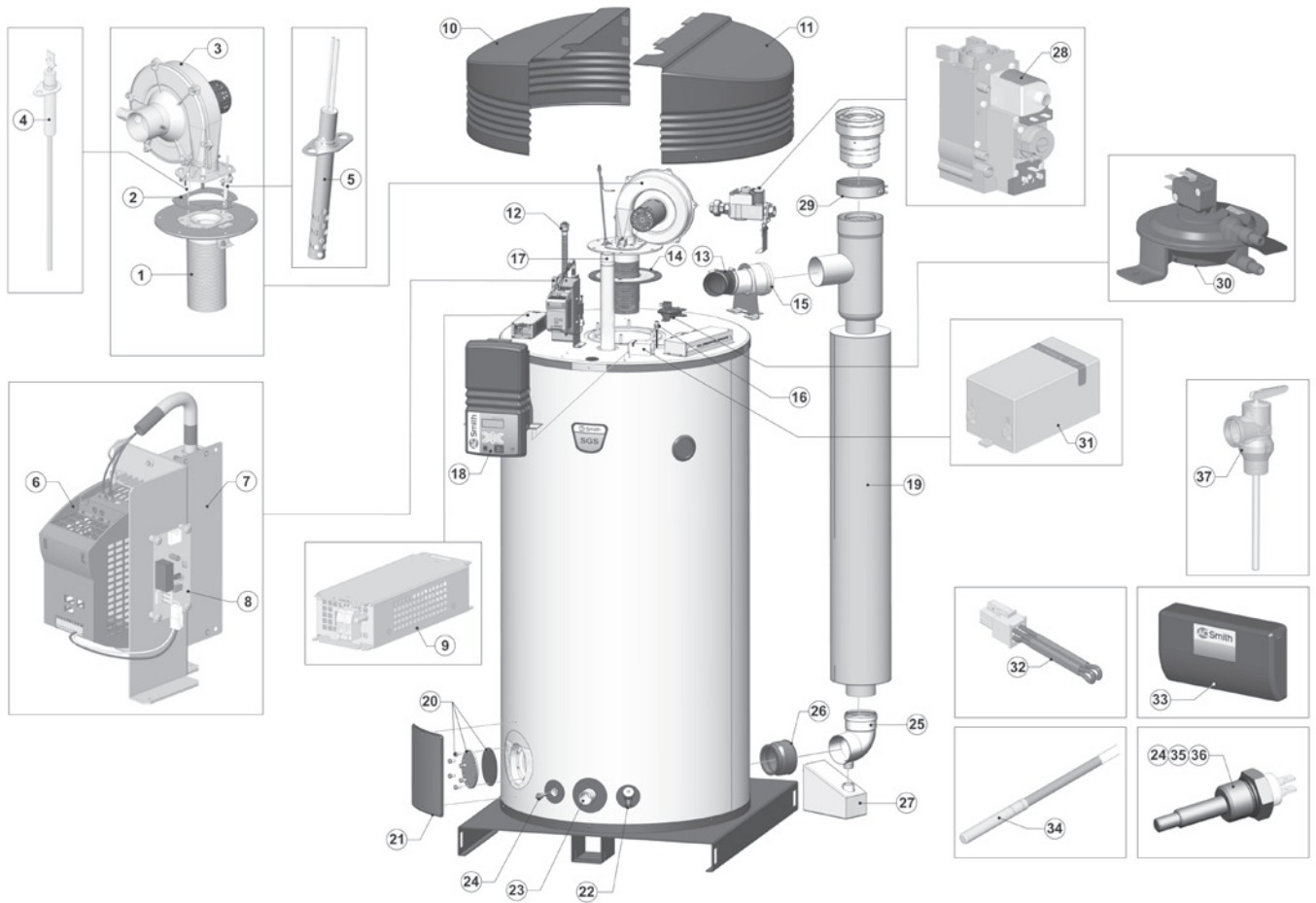
Exploded view SGS 28-60 before 14-09-'09



EVD-0046



Exploded view SGS 80-100 before 14-09-'09



EVD-0047

# SGS 28-60 before 14-09-'09

## SGS parts



Nr	description	date	28	30	50	60
1	Burner		n.a.	n.a.	n.a.	n.a.
2	Hot surface igniter		0304079(S)	0304079(S)	0304079(S)	0304079(S)
3	Flame probe		0192478(S)	0192478(S)	0192478(S)	0192478(S)
4	Gas control NAT-gas Gas control LP-gas		0300903(S) 0301099(S)	0300903(S) 0301099(S)	0300903(S) 0301099(S)	0300808(S) 0301100(S)
5	Differential air pressure switch	before 16-11-'08 after 17-11-'08	0305003(S) 0309235(S)	0305004(S) 0305004(S)	0305005(S) 0305005(S)	0305006(S) 0305006(S)
8	Air supply hose		0304035(S)	0304035(S)	0304035(S)	0304035(S)
9	Clamping strip		0305027(S)	0304199(S)	0304199(S)	0304199(S)
10	Anode Flexible anode		0183463039(S) (4x) 0304728(S) (4x)	0183463050(S) (4x) 0304728(S) (4x)	0183463050(S) (4x) 0304728(S) (4x)	0183463050(S) (4x) 0304728(S) (4x)
11	Appliance control service kit		0308882(S)	0308882(S)	0308882(S)	0308882(S)
12	Transition piece Transition piece damper		0304987(S) 0304987(S)	0304012(S) 0304683(S)	0304012(S) 0304683(S)	0304012(S) 0304683(S)
13	Temperature sensor T2 (top tank)		0304469(S)	0304469(S)	0304469(S)	0304469(S)
14	Gasket burner/tank		0192331(S)	0192331(S)	0192331(S)	0192331(S)
15	Hot water outlet nipple		0304017(S)	0304017(S)	0304017(S)	0304017(S)
16	Temperature sensor T1 (bottom tank)		0308149(S)	0308149(S)	0308149(S)	0308149(S)
17	Cover plate cleaning opening		0039137002/24(S)	0039137002/24(S)	0039137002/24(S)	0039137002/24(S)
18	Cleaning opening set		0305082(S)	0305082(S)	0305082(S)	0305082(S)
19	Cold water supply nipple		0070615(S)	0070615(S)	0070615(S)	0070615(S)
20	Drain valve		0026273004(S)	0026273004(S)	0026273004(S)	0026273004(S)
21	Bend		0304986(S)	0304029(S)	0304029(S)	0304029(S)
22	Adapting socket		0304984(S)	0192636(S)	0192636(S)	0192636(S)
23	Siphon		0304988(S)	0306181(S)	0306181(S)	0306181(S)
24	Fan kit		0304104(S)	0304104(S)	0304104(S)	0304104(S)
25	Flue gas sensor		0304301(S)	0304301(S)	0304301(S)	0304301(S)
26	Solar system control service kit		0308874(S)	0308874(S)	0308874(S)	0308874(S)
27	Temperature sensor S1 (in solar collector)		0308904(S)	0308904(S)	0308904(S)	0308904(S)
28	Temperature sensor S2 (bottom storage tank)		0308149(S)	0308149(S)	0308149(S)	0308149(S)
29	Temperature sensor S3 (top storage tank)		0308149(S)	0308149(S)	0308149(S)	0308149(S)
	Service kit Q/T sensor		0313621(S)	0313621(S)	0313621(S)	0313621(S)

## SGS accessories

description	date	28	30	50	60
Gas cock 3/4"		0300719(S)	0300719(S)	0300719(S)	0300719(S)
Inlet security group G1"		0070066003(S)	0070066003(S)	0070066003(S)	0070066003(S)
Power anode set	before 01-09-'09	0309216(S)	0309217(S)	0309217(S)	0309217(S)
T&P valve 1" NO WRAS		0099383005(S)	0099383005(S)	0099383005(S)	0099383005(S)
Extension nipple T&P		0306713(S)	0306713(S)	0306713(S)	0306713(S)
Transition piece with damper		0304987(S)	0304683(S)	0304683(S)	0304683(S)
Flow- and temperature sensor S4		0309285(S)	0309285(S)	0309285(S)	0309285(S)
Reducing Nipple Rp1 1/2"x 22 mm press		0309411(S)	0309411(S)	0309411(S)	0309411(S)
Reducing Nipple Rp1 1/2"x 28 mm press		0309412(S)	0309412(S)	0309412(S)	0309412(S)
Reducing Nipple Rp1 1/2"x 35 mm press		n.a.	n.a.	n.a.	n.a.
Dummy (sensor solarkit)		0309152(S)	0309152(S)	0309152(S)	0309152(S)
Isolating transformer		0306054(S)	0306054(S)	0306054(S)	0306054(S)

Parts that are marked yellow  
are parts that are used for maintenance.

# SGS 80-100 before 14-09-'09

## SGS parts



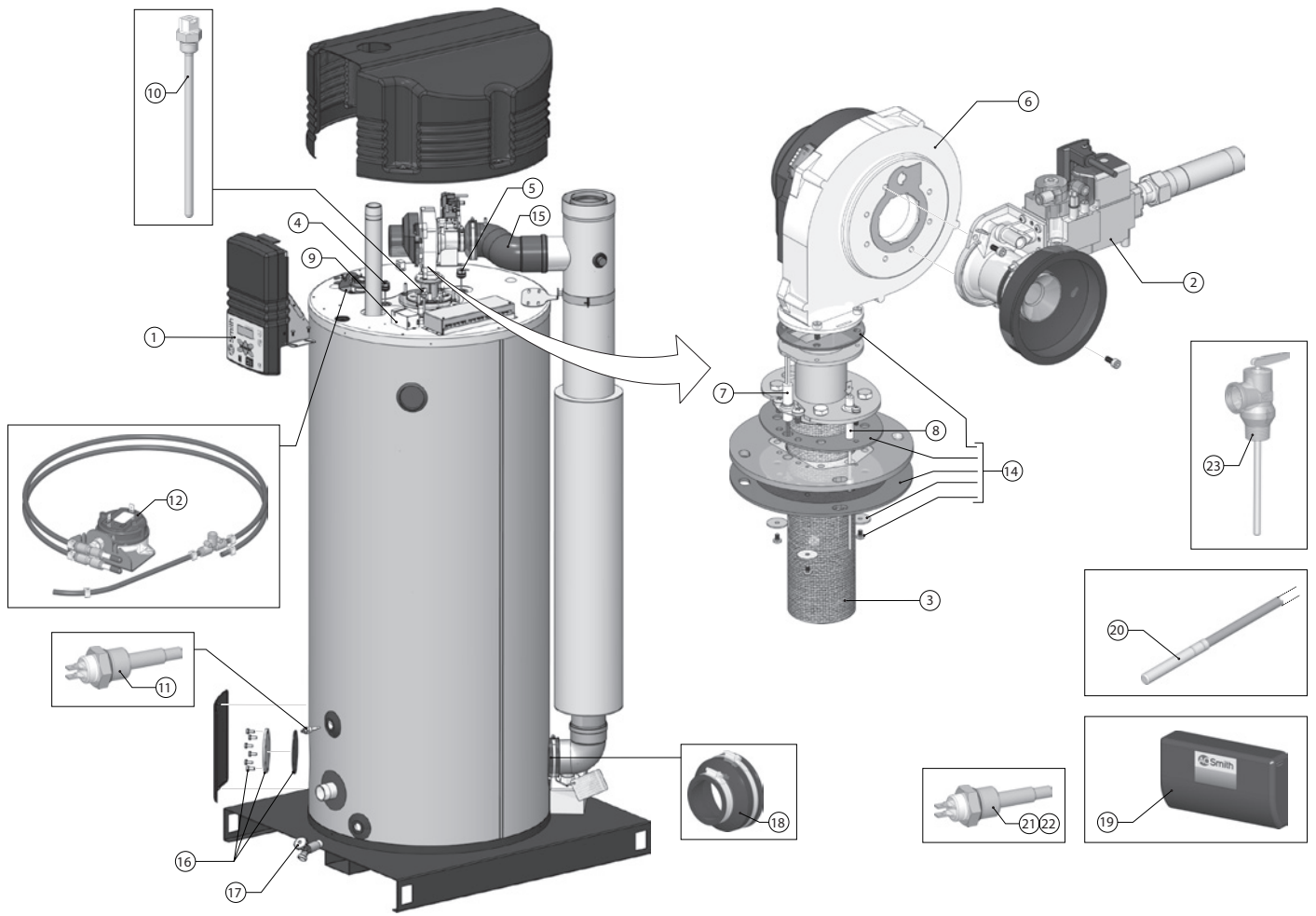
nr	Description	date	80	100
1	Burner		0197315(S)	0197315(S)
2	Gasket fan/burner		0308202(S)	0308202(S)
3	Fan		0197322(S)	0197322(S)
4	Flame probe		0194776002(S)	0194776002(S)
5	Hot surface igniter	before 18-01-'09 after 18-01-'09	0308204(S) 0309065(S)	0308204(S) 0309065(S)
6	Frequency controller		0305805(S)	0305805(S)
7	EMC-Filter		0305806(S)	0305806(S)
8	PCB interface		0307490(S)	0307490(S)
9	Line commutation choke		0306690(S)	0306690(S)
10	Left plastic top cover		n.a.	n.a.
11	Right plastic top cover		n.a.	n.a.
12	Power anode		0302757(S)	0302757(S)
13	Air supply hose		0305504(S)	0305504(S)
14	Gasket burner/tank		0308266(S)	0308266(S)
15	Chimney pipe support		n.a.	n.a.
16	Temperature sensor T2 (top tank)		0304469(S)	0304469(S)
17	Hot water outlet nipple		0304017(S)	0304017(S)
18	Appliance control service kit		0308943(S)	0308943(S)
19	Chimney pipe with damper		0304683(S)	0304683(S)
20	Cleaning opening set		0305082(S)	0305082(S)
21	Cover plate cleaning opening		0039137002/24(S)	0039137002/24(S)
22	Drain valve		0026273004(S)	0026273004(S)
23	Cold water supply nipple		0070615(S)	0070615(S)
24	Temperature sensor T1 (bottom tank)		0308149(S)	0308149(S)
25	Bend		0304029(S)	0304029(S)
26	Adapting socket		0308196(S)	0308196(S)
27	Siphon		0306181(S)	0306181(S)
28	Gas control		0306189(S)	0306189(S)
29	Clamping strip		0304199(S)	0304199(S)
30	Air pressure swith		n.a.	n.a.
31	Potentiostat		0306160(S)	0306160(S)
32	Flue gas sensor		0304301(S)	0304301(S)
33	Solar system control service kit		0308874(S)	0308874(S)
34	Temperature sensor S1 (in solar collector)		0308904(S)	0308904(S)
35	Temperature sensor S2 (bottom storage tank)		0308149(S)	0308149(S)
36	Temperature sensor S3 (top storage tank)		0308149(S)	0308149(S)
37	T&P valve ¾" NO WRAS		0076527004(S)	0076527004(S)
	Service Kit Q/T Sensor		0313621(S)	0313621(S)

## SGS accessories

Description	date	80	100
Conversion kit to LP-gas		0308955(S)	0308957(S)
Conversion kit to NAT-gas		0308954(S)	0308956(S)
Isolating transformer kit		0306054(S)	0306054(S)
Potential free switch kit		0306056(S)	0306056(S)
Gas cock ¾"		0300719(S)	0300719(S)
Inlet security group G1"		0070066003(S)	0070066003(S)
Expansion valve 1/2" 8 bar		0305712(S)	0305712(S)
Reducing Nipple Rp1½"x 22 mm press		0309411(S)	0309411(S)
Reducing Nipple Rp1½"x 28 mm press		0309412(S)	0309412(S)
Reducing Nipple Rp1½"x 35 mm press		n.a.	n.a.
Flow- and temperature sensor S4		0309285(S)	0309285(S)
Dummy (sensor solarkit)		0309152(S)	0309152(S)

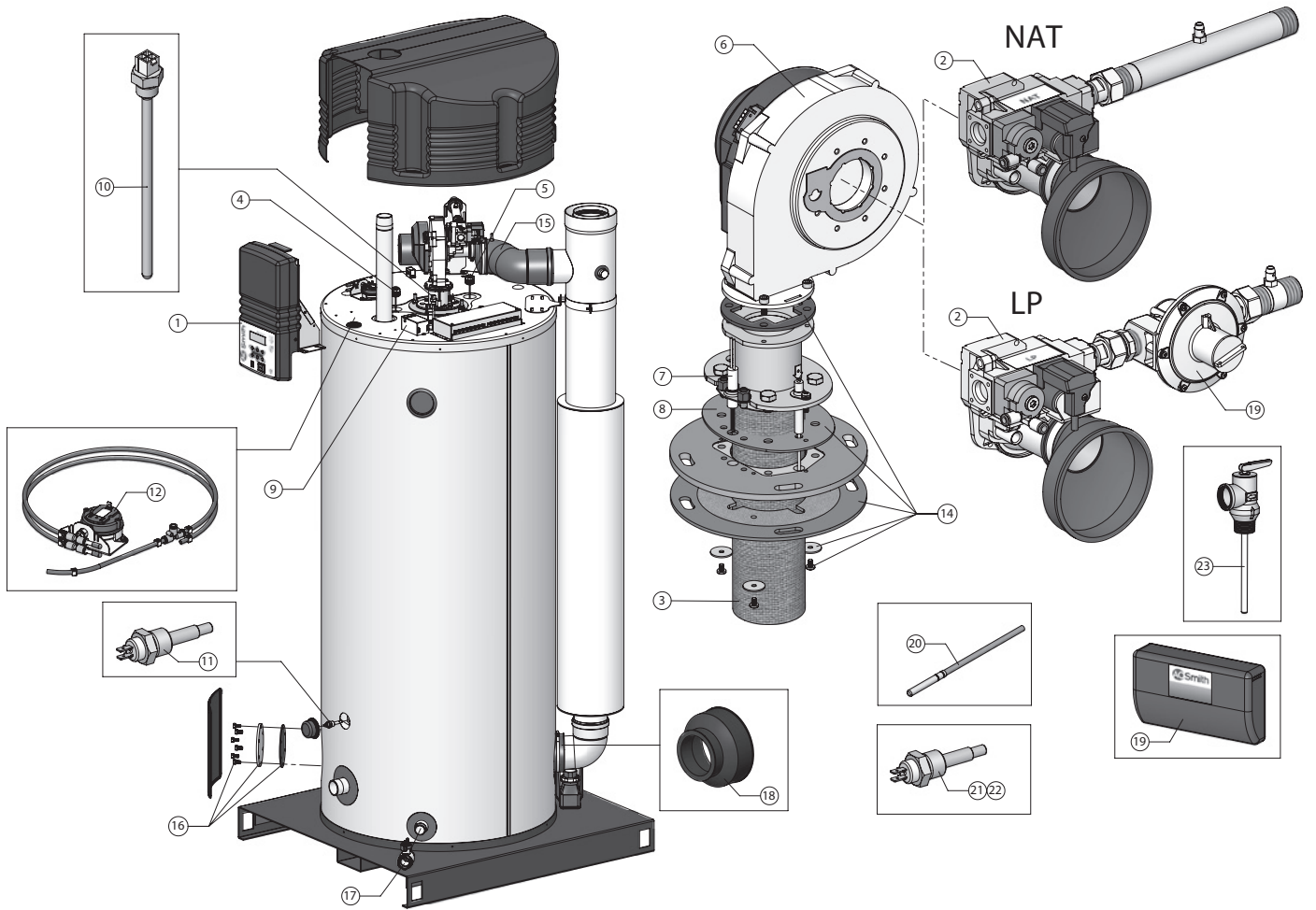
Parts that are marked yellow are parts that are used for maintenance.

Exploded view SGS 28-60 from 14-09-'09 until 03-02-'13



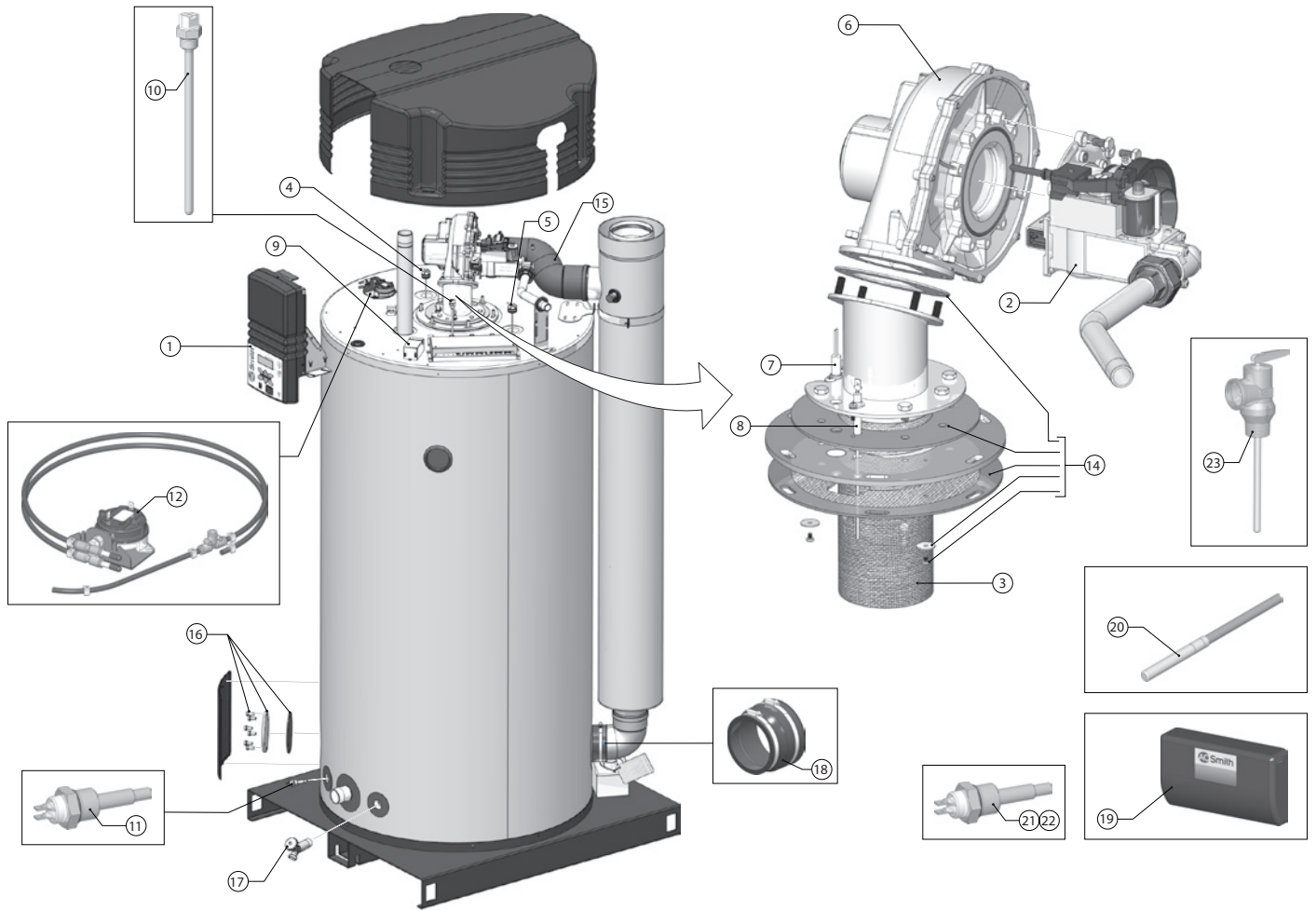
EVD-0054 R0

Exploded view SGS 28-60 after 04-02-'13



**EVD-0054 R1**

# Exploded view SGS 80-120 after 14-09-'09



EVD-0055

# SGS 28-120 after 14-09-'09

## SGS parts

nr	Description	date	28	30	50	60	80	100	120
1	Control	before 28-07-'13	n.a.	n.a.	n.a.	n.a.	n.a.	n.a.	n.a.
		after 29-07-'13	0311159(S)	0311159(S)	0311159(S)	0311159(S)	0311159(S)	0311159(S)	0311159(S)
2	Gas control (NAT)	before 03-02-'13	0310186(S)	0310186(S)	0310186(S)	0310186(S)	-	-	-
		after 04-02-'13	0310155(S)	0310155(S)	0310155(S)	0310155(S)	-	-	-
		-	-	-	-	0309167(S)	0309167(S)	0309167(S)	
		-	-	-	-	-	-	-	
Gas control (LP)	before 03-02-'13	0310188(S)	0310188(S)	0310188(S)	0310188(S)	-	-	-	
	after 04-02-'13	0310157(S)	0310157(S)	0310157(S)	0310157(S)	-	-	-	
		-	-	-	-	0309168(S)	0309168(S)	0309168(S)	
3	Burner		0309297(S)	0309297(S)	0309297(S)	0309297(S)	0309125(S)	0309125(S)	0309125(S)
4	Power anode		-	0197709(S)	0197709(S)	0197709(S)	0197709(S)	0197709(S)	0197709(S)
5	Power anode		019771002(S)	0197710(S)	0197710(S)	0197710(S)	0197710(S)	0197710(S)	0197710(S)
6	Fan		0309159(S)	0309159(S)	0309159(S)	0309159(S)	0309119(S)	0309119(S)	0309119(S)
7	Glow-igniter		0309232(S)	0309232(S)	0309232(S)	0309232(S)	0309232(S)	0309232(S)	0309232(S)
8	Flame probe		0310075(S)	0310075(S)	0310075(S)	0310075(S)	0310075(S)	0310075(S)	0310075(S)
9	Potentiostat		0306160(S)	0306160(S)	0306160(S)	0306160(S)	0306160(S)	0306160(S)	0306160(S)
10	Temperature sensor (top of tank)		0311295(S)	0311295(S)	0311295(S)	0311295(S)	0311295(S)	0311295(S)	0311295(S)
11	Temperature sensor (bottom of tank)		0308149(S)	0308149(S)	0308149(S)	0308149(S)	0308149(S)	0308149(S)	0308149(S)
12	Differential air pressure switch		0309169(S)	0309169(S)	0309169(S)	0309169(S)	0309331(S)	0309331(S)	0309331(S)
13	Harness		0309136(S)	0309136(S)	0309136(S)	0309136(S)	0309136(S)	0309136(S)	0309136(S)
14	Gaskets		0309608(S)	0309608(S)	0309608(S)	0309608(S)	0309609(S)	0309609(S)	0309609(S)
15	Air inlet		0309148(S)	0309148(S)	0309148(S)	0309148(S)	0309129(S)	0309129(S)	0309129(S)
16	Cleaning opening		0305082(S)	0305082(S)	0305082(S)	0305082(S)	0305082(S)	0305082(S)	0305082(S)
17	Drain valve	before 03-02-'13	0026273004(S)	0026273004(S)	0026273004(S)	0026273004(S)	0026273004(S)	0026273004(S)	0026273004(S)
		after 04-02-'13	0308997(S)	0308997(S)	0308997(S)	0308997(S)	-	-	-
18	Plastic adapting socket		0192636(S)	0192636(S)	0192636(S)	0192636(S)	0308196(S)	0308196(S)	0308196(S)
19	Solar system control	before 28-07-'13	0308874(S)	0308874(S)	0308874(S)	0308874(S)	0308874(S)	0308874(S)	0308874(S)
		after 29-07-'13	0311055(S)	0311055(S)	0311055(S)	0311055(S)	0311055(S)	0311055(S)	0311055(S)
20	Temperature sensor (collector)		0308904(S)	0308904(S)	0308904(S)	0308904(S)	0308904(S)	0308904(S)	0308904(S)
21	Temperature sensor (heat exchanger storage tank)		0308149(S)	0308149(S)	0308149(S)	0308149(S)	0308149(S)	0308149(S)	0308149(S)
22	Temperature sensor (top of storage tank)		0308149(S)	0308149(S)	0308149(S)	0308149(S)	0308149(S)	0308149(S)	0308149(S)
23	T&P valve 3/4" (in storage tank)		0076527004(S)	0076527004(S)	0076527004(S)	0076527004(S)	0076527004(S)	0076527004(S)	0076527004(S)
24	Reducing valve	after 04-02-'13	0310180(S)	0310180(S)	0310180(S)	0310180(S)	-	-	-
25	Cover potentiostat	after 04-05-'15	0311486(S)	0311486(S)	0311486(S)	0311486(S)	0311486(S)	0311486(S)	0311486(S)
26	Bend (with siphon connection)		0304029(S)	0304029(S)	0304029(S)	0304029(S)	0304029(S)	0304029(S)	0304029(S)
27	Siphon		0306181(S)	0306181(S)	0306181(S)	0306181(S)	0306181(S)	0306181(S)	0306181(S)
-	Service kit Q/T sensor		0313621(S)	0313621(S)	0313621(S)	0313621(S)	0313621(S)	0313621(S)	0313621(S)
-	Cable gas valve		0309336(S)	0309336(S)	0309336(S)	0309336(S)	0309336(S)	0309336(S)	0309336(S)

## SGS accessories

Description	date	28	30	50	60	80	100	120
Conversion set to LP-gas	before 03-02-'13	0309540(S)	0309540(S)	0309540(S)	0309540(S)	-	-	-
	after 04-02-'13	0310936(S)	0310936(S)	0310936(S)	0310936(S)	-	-	-
		-	-	-	-	0309542(S)	0309542(S)	0309542(S)
Conversion set to NAT-gas	before 03-02-'13	0309541(S)	0309541(S)	0309541(S)	0309541(S)	-	-	-
	after 04-02-'13	0312594(S)	0312594(S)	0312594(S)	0312594(S)	0312595(S)	0312595(S)	0312595(S)
Gas cock		0300719(S)	0300719(S)	0300719(S)	0300719(S)	0300719(S)	0300719(S)	0300719(S)
Inlet security group G1"		0070066003(S)	0070066003(S)	0070066003(S)	0070066003(S)	0070066003(S)	0070066003(S)	0070066003(S)
Reducing Nipple (for T&P)		0306713(S)	0306713(S)	0306713(S)	0306713(S)	0306713(S)	0306713(S)	0306713(S)
Reducing Nipple Rp1½"x 22 mm press		0309411(S)	0309411(S)	0309411(S)	0309411(S)	0309411(S)	0309411(S)	0309411(S)
Reducing Nipple Rp1½"x 28 mm press		0309412(S)	0309412(S)	0309412(S)	0309412(S)	0309412(S)	0309412(S)	0309412(S)
Reducing Nipple Rp1½"x 35 mm press		n.a.	n.a.	n.a.	n.a.	n.a.	n.a.	n.a.
Combined flow & temperature sensor		0309285(S)	0309285(S)	0309285(S)	0309285(S)	0309285(S)	0309285(S)	0309285(S)
Dummy (Replacement collectors)		0309152(S)	0309152(S)	0309152(S)	0309152(S)	0309152(S)	0309152(S)	0309152(S)
Isolation transformer		0309887(S)	0309887(S)	0309887(S)	0309887(S)	0309887(S)	0309887(S)	0309887(S)
Ext. Cable collector sensor (5 mtr)		0309197(S)	0309197(S)	0309197(S)	0309197(S)	0309197(S)	0309197(S)	0309197(S)
BMS interface		0310013(S)	0310013(S)	0310013(S)	0310013(S)	0310013(S)	0310013(S)	0310013(S)
Remote display		0309999(S)	0309999(S)	0309999(S)	0309999(S)	0309999(S)	0309999(S)	0309999(S)
Inlet security group DN40		0309927(S)	0309927(S)	0309927(S)	0309927(S)	0309927(S)	0309927(S)	0309927(S)

Parts that are marked yellow are parts that are used for maintenance.



ST

ST 300-1000 parts



Nr.	Description	date	300	300	400	500	600	750	1000
			before 01-06-'17	after 01-06-'17					
1	Anode		0313237(S)	0312657(S)	0338103(S)	0338103(S)	0338103(S)	0338103(S)	0338103(S)
	Flexible anode		-	-	0301727(S)	0301727(S)	0301727(S)	0301727(S)	0301727(S)
2	Gasket of clean out		0303845(S)	0312658(S)	0301535(S)	0301535(S)	0301536(S)	0301536(S)	0301536(S)
3	Stop plug Set		-	0312788(S)	-	-	-	-	-
5	Leveling screw		0303820(S)	-	-	-	-	-	-
			0304507(S)	0312661(S)	-	-	-	-	-
6	Cover front	before 18-09-'17	-	-	0304507(S)	0304507(S)	0304509(S)	0304509(S)	0304509(S)
		after 18-09-'17	-	-	0312812(S)	0312812(S)	0312816(S)	0312816(S)	0312816(S)
7	Cover jacket		0304504(S) *	0312662(S)	-	-	-	-	-
		before 18-09-'17	-	-	0304504(S) #	0304504(S) #	0304505(S) #	0304505(S) #	0304506(S) #
		after 18-09-'17	-	-	0312778(S) ##	0312926(S) ##	0312779(S) ##	0312927(S) ##	0312811(S) ##
8	Insulation cover jacket		-	-	0312970(S)	0312970(S)	0312972(S)	0312972(S)	0312794(S)
9	Insulation package Insulation Jacket and Isolation Top		0303717(S)	-	-	-	-	-	-
			-	0312654(S)	0312704(S)	0312705(S)	0312706(S)	0312707(S)	0312708(S)
10	Flange clean out		0303844(S)	0312659(S)	-	-	-	-	-
			-	-	0301517(S)	0301517(S)	0301534(S)	0301534(S)	0301534(S)

# The insulation, which is located under the cover, is part of the insulation package and cannot be ordered separately.  
 ## The insulation, which is located under the cover, is part of the insulation package and can also be ordered separately, see 8.

ST 300-1000 accessories

Description	date	300	300	400	500	600	750	1000
		before 01-06-'17	after 01-06-'17					
Thermometer		0304593(S)	0304593(S)	0304593(S)	0304593(S)	0304594(S)	0304594(S)	0304594(S)
Electrical element Flange connection on water heater	2.0 kW	0304285(S)	0304285(S)	0304285(S)	0304285(S)	0304285(S) #	0304285(S) #	0304285(S) #
	2.5 kW	0304286(S)	0304286(S)	0304286(S)	0304286(S)	0304286(S) #	0304286(S) #	0304286(S) #
	3.3 kW	0304287(S)	0304287(S)	0304287(S)	0304287(S)	0304287(S) #	0304287(S) #	0304287(S) #
	6.0 kW	0304288(S)	0304288(S)	0304288(S)	0304288(S)	0304288(S) #	0304288(S) #	0304288(S) #
	7.5 kW	0304289(S)	0304289(S)	0304289(S)	0304289(S)	0304289(S) #	0304289(S) #	0304289(S) #
	18 kW	-	-	0313985(S)	0313985(S)	-	-	-
	24 kW	-	-	0313986(S)	0313986(S)	-	-	-
	27 kW	-	-	0313987(S)	0313987(S)	-	-	-
	36 kW	-	-	0313988(S)	0313988(S)	-	-	-
	48 kW	-	-	0313989(S)	0313989(S)	-	-	-
	18 kW	-	-	-	-	0313990(S)	0313990(S)	0313990(S)
	24 kW	-	-	-	-	0313991(S)	0313991(S)	0313991(S)
	27 kW	-	-	-	-	0313992(S)	0313992(S)	0313992(S)
	36 kW	-	-	-	-	0313993(S)	0313993(S)	0313993(S)
48 kW	-	-	-	-	0313994(S)	0313994(S)	0313994(S)	
60 kW	-	-	-	-	0313995(S)	0313995(S)	0313995(S)	
90 kW	-	-	-	-	-	-	0313996(S)	
Electrical element 1 1/2" connection on water heater	2.0 kW	0304291(S) ##	0304291(S) ##	0304291(S) ##	0304291(S) ##	0304291(S) ###	0304291(S) ###	0304291(S) ###
	2.5 kW	0304292(S) ##	0304292(S) ##	0304292(S) ##	0304292(S) ##	0304292(S) ###	0304292(S) ###	0304292(S) ###
	3.0 kW	0304293(S) ##	0304293(S) ##	0304293(S) ##	0304293(S) ##	0304293(S) ###	0304293(S) ###	0304293(S) ###
	4.5 kW	0304294(S) ##	0304294(S) ##	0304294(S) ##	0304294(S) ##	0304294(S) ###	0304294(S) ###	0304294(S) ###
	6.0 kW	0304295(S) ##	0304295(S) ##	0304295(S) ##	0304295(S) ##	0304295(S) ###	0304295(S) ###	0304295(S) ###
7.5 kW	0304296(S) ##	0304296(S) ##	0304296(S) ##	0304296(S) ##	0304296(S) ###	0304296(S) ###	0304296(S) ###	
Reducing flange		-	-	-	-	0304405(S)	0304405(S)	0304405(S)
Flange		0304752(S)	0304752(S)	0304752(S)	0304752(S)	0304752(S)	0304752(S)	0304752(S)
Cover strip assy		0313719(S)	0313719(S)	0313749(S)	0313749(S)	0313749(S)	0313749(S)	0313749(S)
Immersion well 120 mm		0303840(S)	-	-	-	-	-	-
Immersion well 55 mm		0303841(S)	-	-	-	-	-	-
Reducing nipple set 2" BSP F to R 1" M	before 18-09-'17	-	-	0309754(S)	0309754(S)	-	-	-
Reducing nipple set 2" BSP F to R 1 1/2" M	before 18-09-'17	-	-	0309755(S)	0309755(S)	-	-	-
Reducing nipple set 2 1/2" BSP F to R 1" M	before 18-09-'17	-	-	-	-	0309756(S)	0309756(S)	0309756(S)
Reducing nipple set 2 1/2" BSP F to R 1 1/4" M	before 18-09-'17	-	-	-	-	0309757(S)	0309757(S)	0309757(S)
Reducing nipple set 2 1/2" BSP F to R 1 1/2" M	before 18-09-'17	-	-	-	-	0309758(S)	0309758(S)	0309758(S)
Inet security set DN40		-	-	0309927(S)	0309927(S)	0309927(S)	0309927(S)	0309927(S)

# With this element also flange 0304405(S) must be mounted.  
 ## With this element also flange 0304752(S) must be mounted.  
 ### With this element also flange 0304405(S) and 0304752(S) must be mounted.

Parts that are marked yellow are parts that are used for maintenance.



# ST

## ST 1500-3000 parts



Nr.	Description	date	1500	2000	2500	3000
1	Insulation package		0312838(S)	0312839(S)	0312840(S)	0312841(S)
2	Cover insulation package		0313538(S)	0313538(S)	0313539(S)	0313539(S)
3	Clean out service kit		0307127(S)	0307127(S)	0307127(S)	0307127(S)
4	Gasket clean out		0307126(S)	0307126(S)	0307126(S)	0307126(S)
6	Hot water outlet connection Flange, Gasket, Bolts and Nuts	before 12-01-'16	0307132(S)	0307132(S)	0307132(S)	0307132(S)
		after 13-01-'16	0311426(S)	0311426(S)	0311426(S)	0311426(S)
7	Gasket hot water outlet connection	after 13-01-'16	0311995(S)	0311995(S)	0311995(S)	0311995(S)
8	Anode (3x)		0311083(S)	0311083(S)	0311084(S)	0311084(S)

## ST 1500-3000 accessories

Nr.		1500	2000	2500	3000
Thermometer kit		0308176(S)	0308176(S)	0308176(S)	0308176(S)
Electrical element Flange connection on water heater	12 kW	0313997(S)	0313997(S)	0313997(S)	0313997(S)
	18 kW	0313998(S)	0313998(S)	0313998(S)	0313998(S)
	24 kW	0313999(S)	0313999(S)	0313999(S)	0313999(S)
	30 kW	0336000(S)	0336000(S)	0336000(S)	0336000(S)
	36 kW	0336001(S)	0336001(S)	0336001(S)	0336001(S)
	45 kW	-	-	0336002(S)	0336002(S)
Extension nipple 2x 2" BSP F		0309082(S)	0309082(S)	0309082(S)	0309082(S)
Extension nipple R 2" M to R 1" M		0309083(S)	0309083(S)	0309083(S)	0309083(S)
Extension nipple R 2" M to R 1 1/2" M		0309084(S)	0309084(S)	0309084(S)	0309084(S)
Reducing nipple set 2" BSP F to R 1" M		0309754(S) #	0309754(S) #	0309754(S) #	0309754(S) #
Reducing nipple set 2" BSP F to R 1 1/2" M		0309755(S) ##	0309755(S) ##	0309755(S) ##	0309755(S) ##

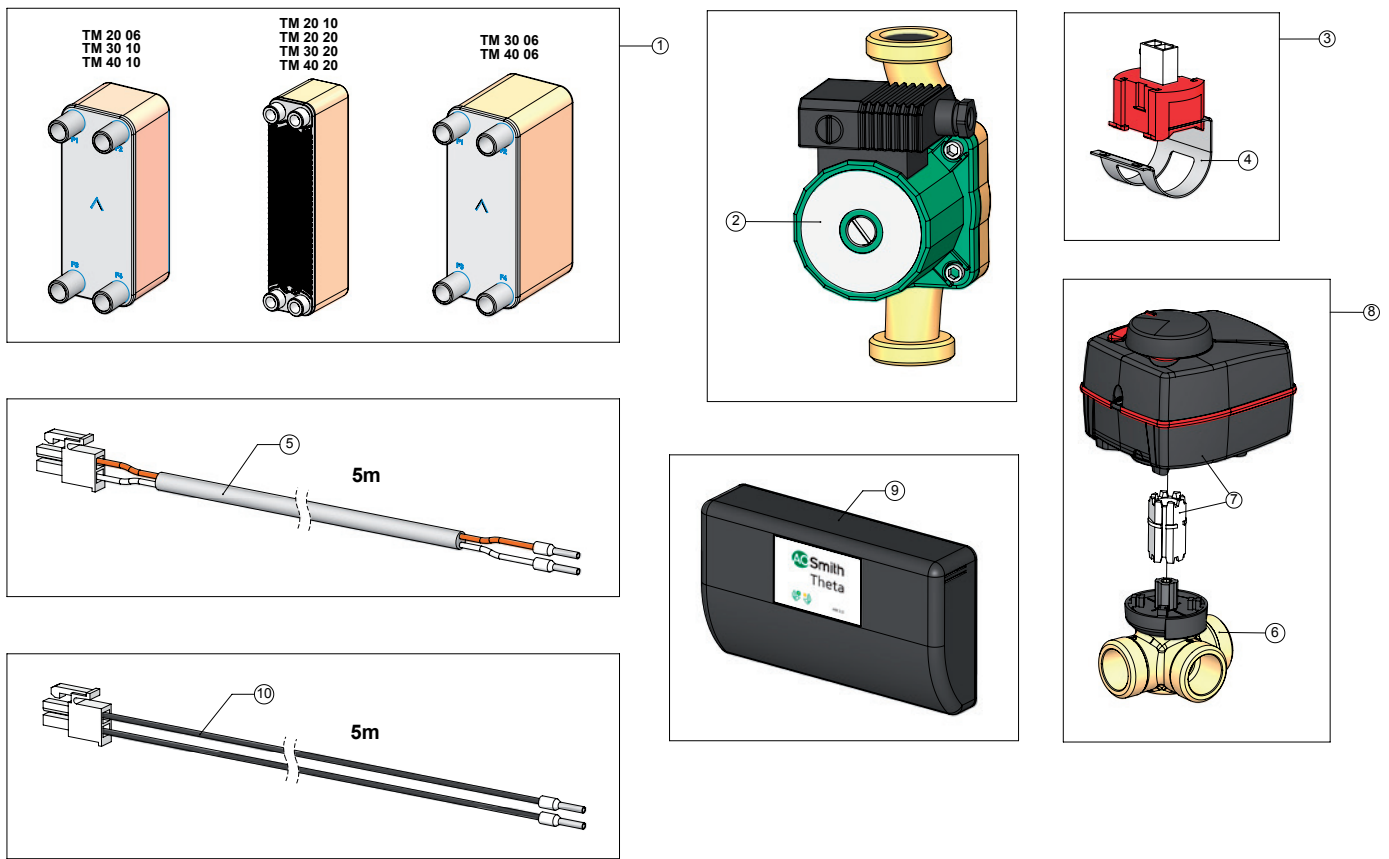
# This set consists of 2x Extension nipple 2x 2" BSP F and 2x Reducing nipple 2" BSP M to R 1" M

## This set consists of 2x Extension nipple 2x 2" BSP F and 2x Reducing nipple 2" BSP M to R 1 1/2" M

## Spare parts for accessories

Description	Nr.	Gasket	Over temp. thermostat	Control thermostat
Electrical element Flange connection on water heater	18 kW	0336028(S)	0336030(S)	0336031(S)
	24 kW			
	27 kW			
	36 kW			
	48 kW			
	18 kW			
	24 kW	0336029(S)	0336030(S)	0336031(S)
	27 kW			
	36 kW			
	48 kW			
	60 kW			
	90 kW			
	12 kW	0336027(S)	0336030(S)	0336031(S)
	18 kW			
	24 kW			
	30 kW			
36 kW				
45 kW				

# Exploded view Theta spare parts for BFC Cyclone



EVD-0093

# Theta dual service

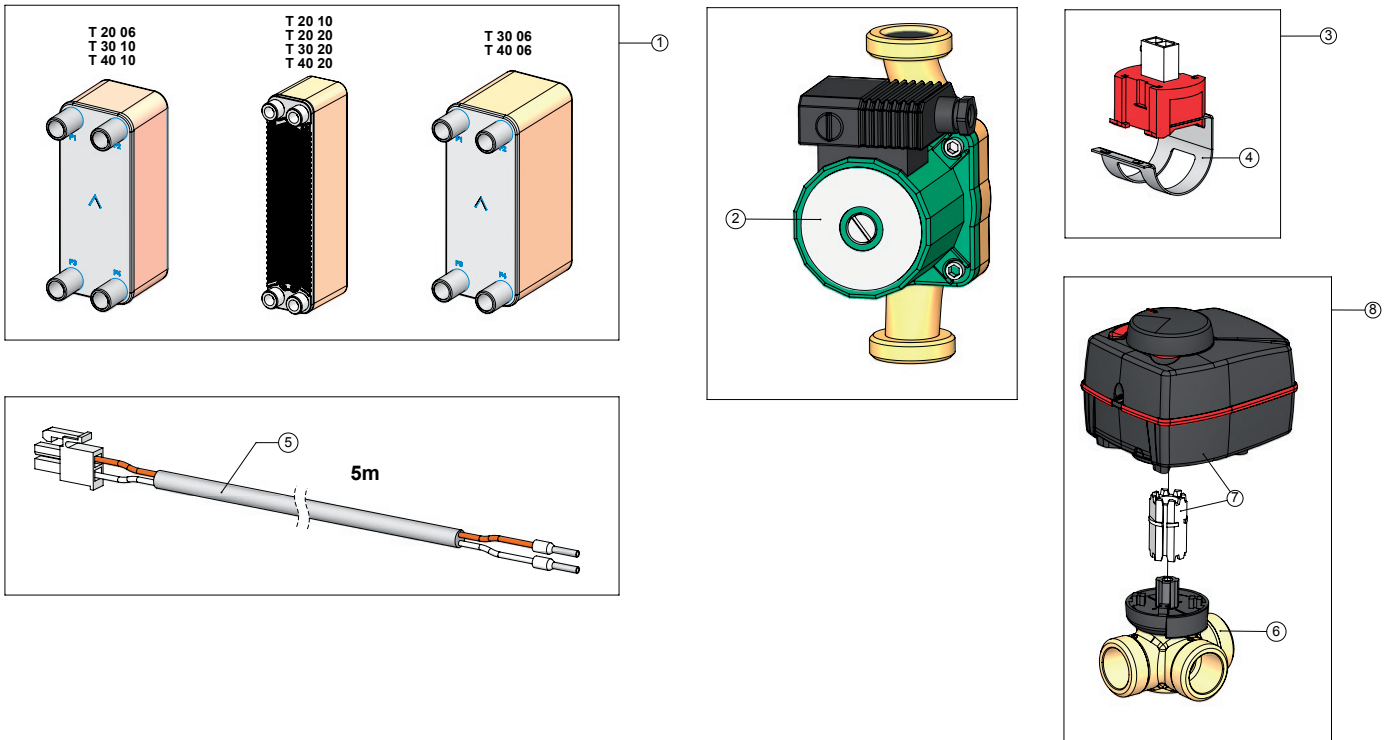
## Spare parts TM modules for BFC Cyclone

No.	Description	TM 20 06	TM 20 10	TM 20 20	TM 30 06	TM 30 10	TM 30 20	TM 40 06	TM 40 10	TM 40 20
1	Plate heat exchanger	0311104(S)	-	-	-	0311104(S)	-	-	0311104(S)	-
		-	0311001(S)	0311001(S)	-	-	0311001(S)	-	-	0311001(S)
		-	-	-	0311105(S)	-	-	0311105(S)	-	-
2	Pump (dual service system)	0311002(S)	0311002(S)	0311002(S)	0311002(S)	0311002(S)	0311002(S)	0311002(S)	0311002(S)	0311002(S)
3	Sensor + clip (dual service system)	0311003(S)	0311003(S)	0311003(S)	0311003(S)	0311003(S)	0311003(S)	0311003(S)	0311003(S)	0311003(S)
4	Sensor clip	0311004(S)	0311004(S)	0311004(S)	0311004(S)	0311004(S)	0311004(S)	0311004(S)	0311004(S)	0311004(S)
5	Sensor cable	0311005(S)	0311005(S)	0311005(S)	0311005(S)	0311005(S)	0311005(S)	0311005(S)	0311005(S)	0311005(S)
6	Housing of 3-way mixing valve	0311006(S)	0311006(S)	0311006(S)	0311006(S)	0311006(S)	0311006(S)	0311006(S)	0311006(S)	0311006(S)
7	Motor of 3-way mixing valve	0311007(S)	0311007(S)	0311007(S)	0311007(S)	0311007(S)	0311007(S)	0311007(S)	0311007(S)	0311007(S)
8	Complete 3-way mixing valve	0311035(S)	0311035(S)	0311035(S)	0311035(S)	0311035(S)	0311035(S)	0311035(S)	0311035(S)	0311035(S)
9	Control - Heat master	0311054(S)	0311054(S)	0311054(S)	0311054(S)	0311054(S)	0311054(S)	0311054(S)	0311054(S)	0311054(S)
10	Communication cable (control/appliance)	0308901(S)	0308901(S)	0308901(S)	0308901(S)	0308901(S)	0308901(S)	0308901(S)	0308901(S)	0308901(S)

## Accessories TM modules for BFC Cyclone

Description	TM 20 06	TM 20 10	TM 20 20	TM 30 06	TM 30 10	TM 30 20	TM 40 06	TM 40 10	TM 40 20
Insulation plate heat exchanger	0311106(S)	-	-	-	0311106(S)	-	-	0311106(S)	-
	-	0311011(S)	0311011(S)	-	-	0311011(S)	-	-	0311011(S)
	-	-	-	0311107(S)	-	-	0311107(S)	-	-

# Exploded view Theta spare parts for SGE & SGS



EVD-0092

# Theta dual service

## Spare parts T modules for SGE & SGS

No.	Description	T 20 06	T 20 10	T 20 20	T 30 06	T 30 10	T 30 20	T 40 06	T 40 10	T 40 20
1	Plate heat exchanger	0311104(S)	-	-	-	0311104(S)	-	-	0311104(S)	-
		-	0311001(S)	0311001(S)	-	-	0311001(S)	-	-	0311001(S)
		-	-	-	0311105(S)	-	-	0311105(S)	-	-
2	Pump (dual service system)	0311002(S)	0311002(S)	0311002(S)	0311002(S)	0311002(S)	0311002(S)	0311002(S)	0311002(S)	0311002(S)
3	Sensor + clip (dual service system)	0311003(S)	0311003(S)	0311003(S)	0311003(S)	0311003(S)	0311003(S)	0311003(S)	0311003(S)	0311003(S)
4	Sensor clip	0311004(S)	0311004(S)	0311004(S)	0311004(S)	0311004(S)	0311004(S)	0311004(S)	0311004(S)	0311004(S)
5	Sensor cable	0311005(S)	0311005(S)	0311005(S)	0311005(S)	0311005(S)	0311005(S)	0311005(S)	0311005(S)	0311005(S)
6	Housing of 3-way mixing valve	0311006(S)	0311006(S)	0311006(S)	0311006(S)	0311006(S)	0311006(S)	0311006(S)	0311006(S)	0311006(S)
7	Motor of 3-way mixing valve	0311007(S)	0311007(S)	0311007(S)	0311007(S)	0311007(S)	0311007(S)	0311007(S)	0311007(S)	0311007(S)
8	Complete 3-way mixing valve	0311035(S)	0311035(S)	0311035(S)	0311035(S)	0311035(S)	0311035(S)	0311035(S)	0311035(S)	0311035(S)

## Accessories T modules for SGE & SGS

Description	T 20 06	T 20 10	T 20 20	T 30 06	T 30 10	T 30 20	T 40 06	T 40 10	T 40 20
Insulation plate heat exchanger	0311106(S)	-	-	-	0311106(S)	-	-	0311106(S)	-
	-	0311011(S)	0311011(S)	-	-	0311011(S)	-	-	0311011(S)
	-	-	-	0311107(S)	-	-	0311107(S)	-	-

Parts that are marked yellow are parts that are used for maintenance.

# TUNE

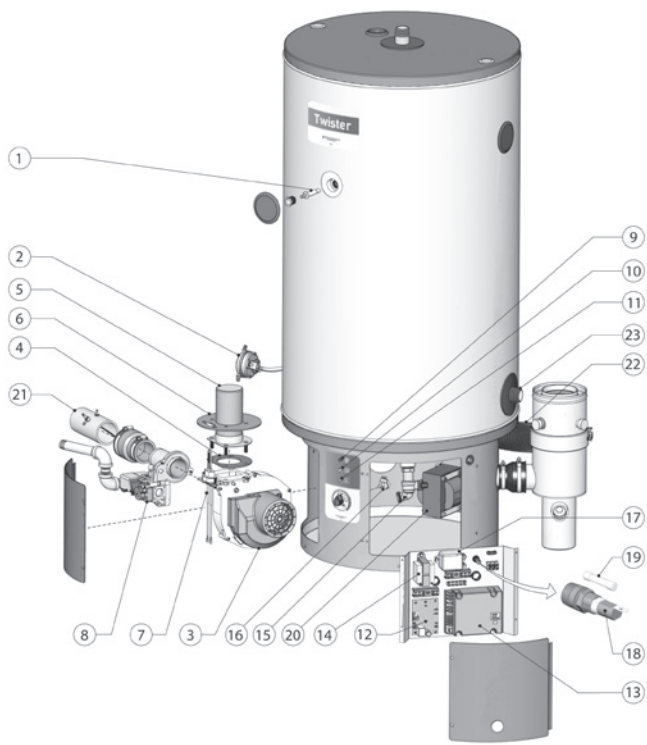
## TUNE parts

description	100	150	200	250
Burner	n.a.	n.a.	n.a.	n.a.
Thermocouple	n.a.	n.a.	n.a.	n.a.
Electrode jade	0043536(S)	0043536(S)	0043536(S)	0043536(S)
Drain valve	n.a.	n.a.	n.a.	n.a.
Piezo ignition	0307596(S)	0307596(S)	0307596(S)	0307596(S)
Anode	0304427(S)	0304428(S)	0304428(S)	0304429(S)
Cold water inlet	n.a.	n.a.	n.a.	n.a.
Horizontal baffle	0010020 901(S)	0010020 901(S)	0010020 901(S)	0010020 902(S)
Baffle support	n.a.	n.a.	n.a.	n.a.
Pilot burner (NAT)	n.a.	n.a.	n.a.	n.a.
Pilot burner (LP)	n.a.	n.a.	n.a.	n.a.

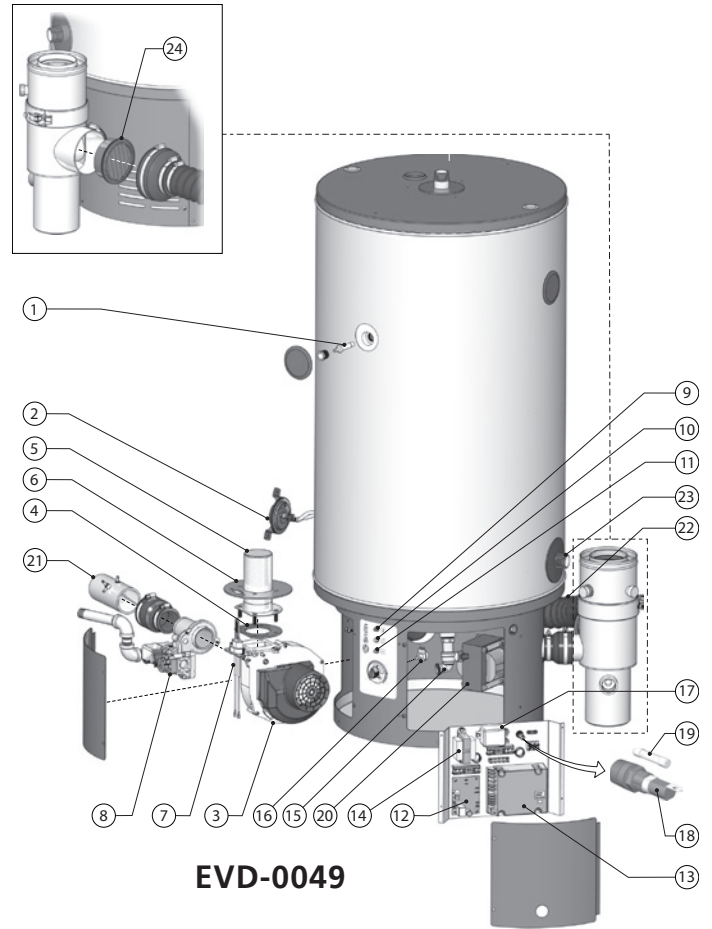
**Remark:**

The drawings of the TUNE water heaters are not available

Exploded view TWI before 30-04-'19



**EVD-0043**



**EVD-0049**

# TWI from 31-03-'09 until 30-04-'19

## TWI parts



No.	description	date	35-130	45-190
1	Thermostat sensor/ECO		6905055(S)	6905055(S)
	Air pressure switch 700 Pa (NAT + LP)		0324302(S)	-
2	Air pressure switch 370 Pa (NAT)		-	0324512(S)
	Air pressure switch 400 PA (LP)		-	0309343(S)
3	Fan MVL RG148		n.a.	-
	Fan Ametek 150130-06		-	6903773(S)
4	Kit blower & burner gasket		6903779(S)	6903779(S)
5	Burner		6903780(S)	6903780(S)
6	Kit blower & burner gasket		6903779(S)	6903779(S)
7	Glow igniter / Hot surface igniter		6903768(S)	6903768(S)
8	Gas control		6903775(S)	6903775(S)
9	Red LED		6907307(S)	6907307(S)
10	Yellow LED		6907306(S)	6907306(S)
11	Green LED		6907305(S)	6907305(S)
12	Thermostat board		6903777(S)	6903777(S)
13	Burner control (1018-528)		-	3210536(S)
13	Burner control (1018-526)		3210457(S)	-
14	Transformer 120V-24V		6907302(S)	6907302(S)
15	Drain valve		6907316(S)	6907316(S)
16	Potentiometer		6905050(S)	6905050(S)
17	Fan insulation relais		4210293(S)	4210293(S)
18	Fuse holder		4210243(S)	4210243(S)
19	Fuse slow blow 2.5A		4210244(S)	4210244(S)
20	Transformer 230V-120V		4210300(S)	4210300(S)
21	Air supply hose		6903783(S)	6903783(S)
22	Air inlet hose		0308233(S)	0308233(S)
23	Cold water supply		6903778(S)	6903778(S)
24	Air Inlet Filter		3710169(S)	3710169(S)
25	Cable Gas Valve		0338100(S)	0338100(S)

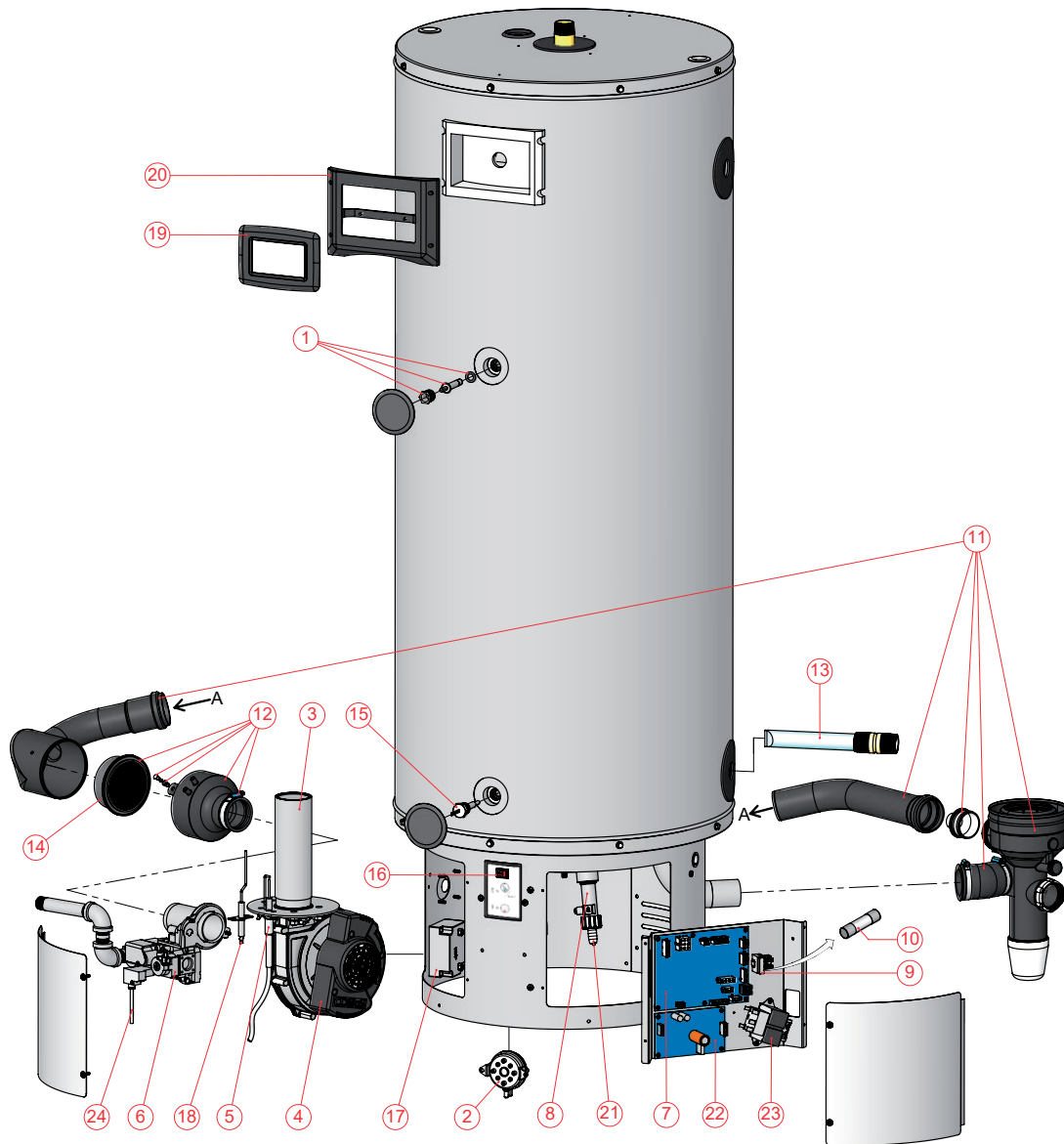
## TWI accessories

description	date	35-130	45-190
Gas cock 3/4"		0300719(S)	0300719(S)
Inlet security group G1"		0070066003(S)	0070066003(S)
T&P valve NO WRAS		0306755(S)	0306755(S)
Flow restrictor build in 3/4" - 12 l/min		0309730(S)	0309730(S)
Flow restrictor build in 3/4" - 10l/min		0309731(S)	0309731(S)
Flow restrictor build in 3/4" - 8 l/min		0309732(S)	0309732(S)
Flow restrictor build in 3/4" - 6 l/min		0309733(S)	0309733(S)
Expansion Valve		0305712(S)	0305712(S)

Parts that are marked yellow are parts that are used for maintenance.



Exploded view TWI II from 01-05-'19



EVD-0111 R4

# TWI II from 01-05-'19

## TWI II parts

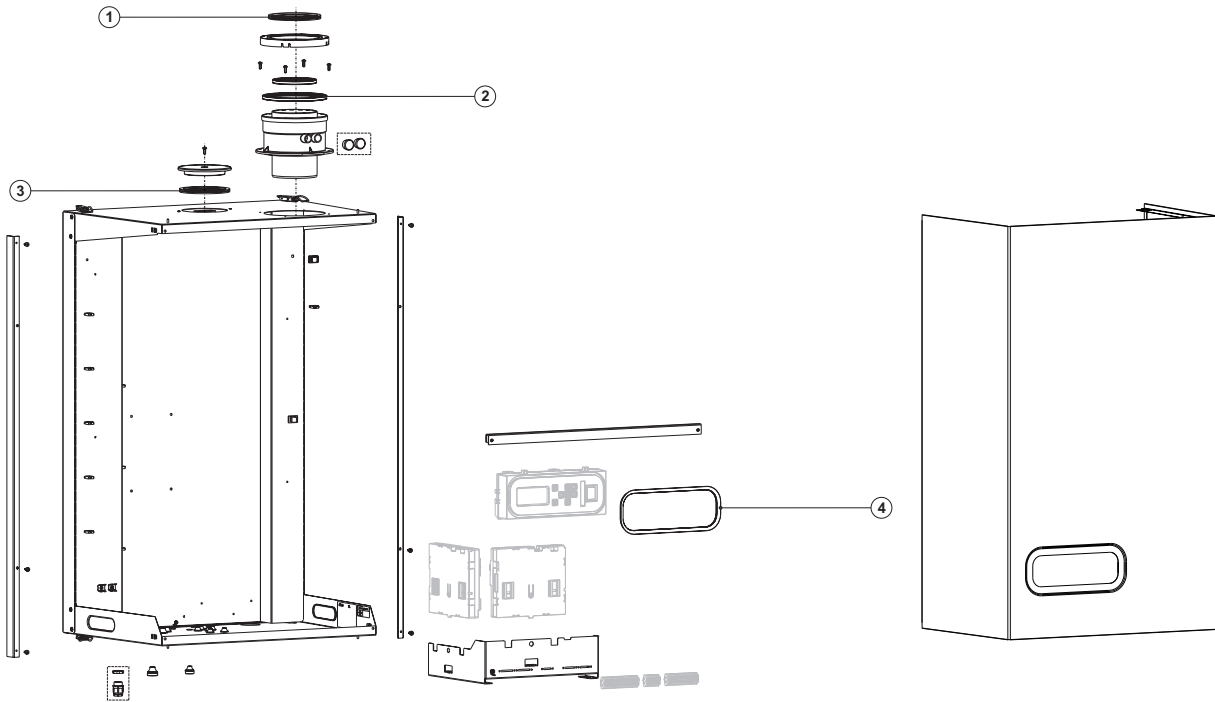


No.	Description	date	TWI 35-200	TWI 45-200
1	Sensor kit		0313306(S)	0313306(S)
2	Pressure switch 370 Pa (NAT)		0324512(S)	0324512(S)
3	Burner and gasket		0313305(S)	0313305(S)
4	Blower and gasket		0313313(S)	0313313(S)
5	Spark igniter with spark cable		0313304(S)	0313304(S)
6	Gas valve		0313302(S)	0313302(S)
7	Control board		0313552(S)	0313312(S)
8	Drain valve		6907316(S)	6907316(S)
9	Fuse holder		0313362(S)	0313362(S)
10	Fuse		0313361(S)	0313361(S)
11	Condensate drain		0313290(S)	0313290(S)
12	Connector venturi		0313291(S)	0313291(S)
13	Water inlet tube		0313310(S)	0313310(S)
14	Air inlet filter		3710169(S)	3710169(S)
15	Sensor		0313301(S)	0313301(S)
16	ON/OFF-switch		0313309(S)	0313309(S)
17	Ignition transformer with spark cable		0313311(S)	0313311(S)
18	Flame rod		0313303(S)	0313303(S)
19	Display		0313308(S)	0313308(S)
20	Housing display		0313307(S)	0313307(S)
21	Hose connector Drain Valve		0070065(S)	0070065(S)
22	Power supply board		0313867(S)	0313867(S)
23	Transformer		0337905(S)	0337905(S)
24	Cable Gas Valve		0338100(S)	0338100(S)
	Gasket set with nuts & washers		0313377(S)	0313377(S)

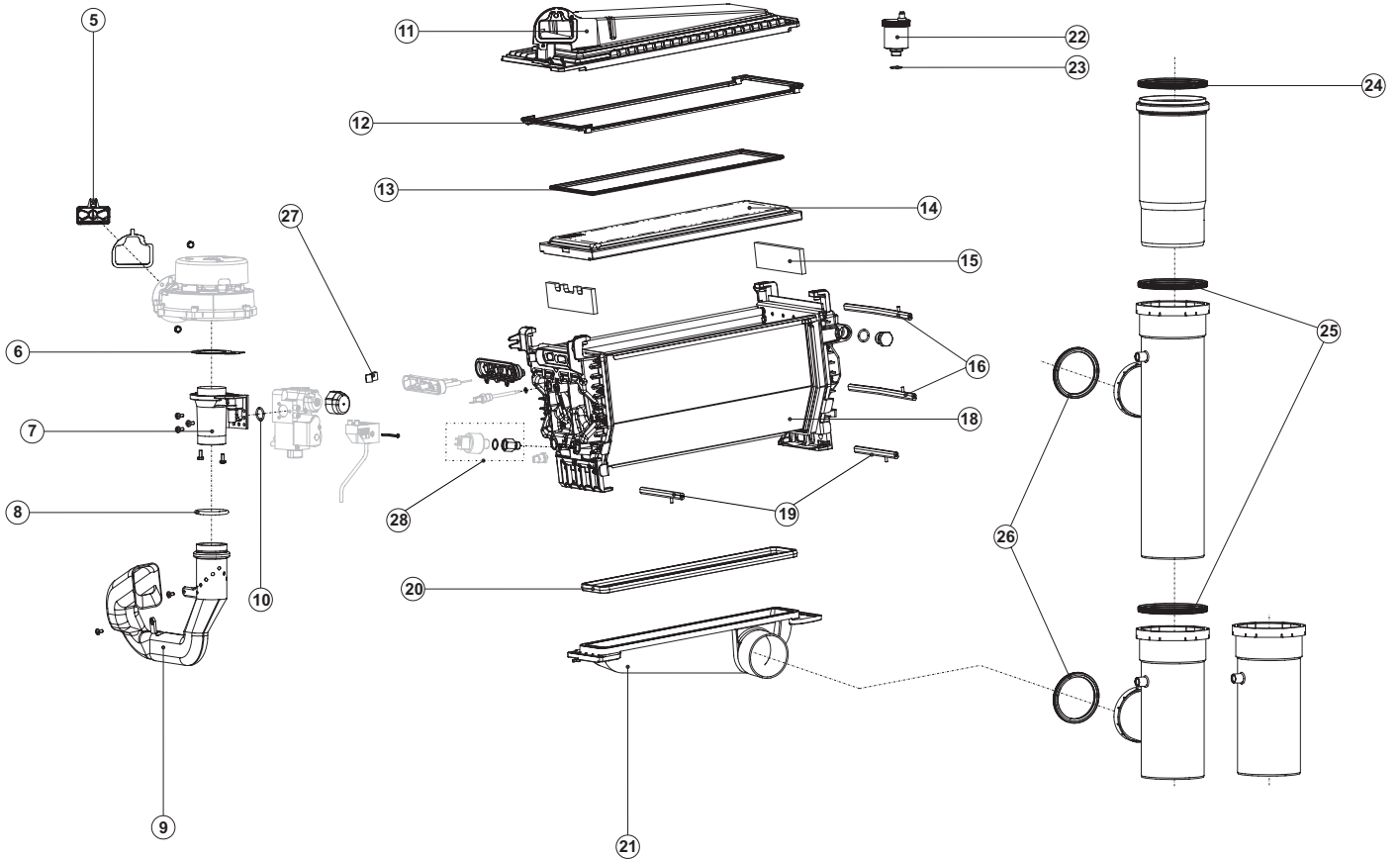
## TWI II accessories

Description	date	TWI 35-200	TWI 45-200
Conversion Set to LP-gas		0313335(S)	0313335(S)
Conversion Set to NAT-gas		0313336(S)	0313336(S)
Gas cock		0300719(S)	0300719(S)
Inlet security group G1"		0070066003(S)	0070066003(S)
Expansion valve		0305712(S)	0305712(S)
T&P-valve NO WRAS		0306755(S)	0306755(S)

# Exploded view UB

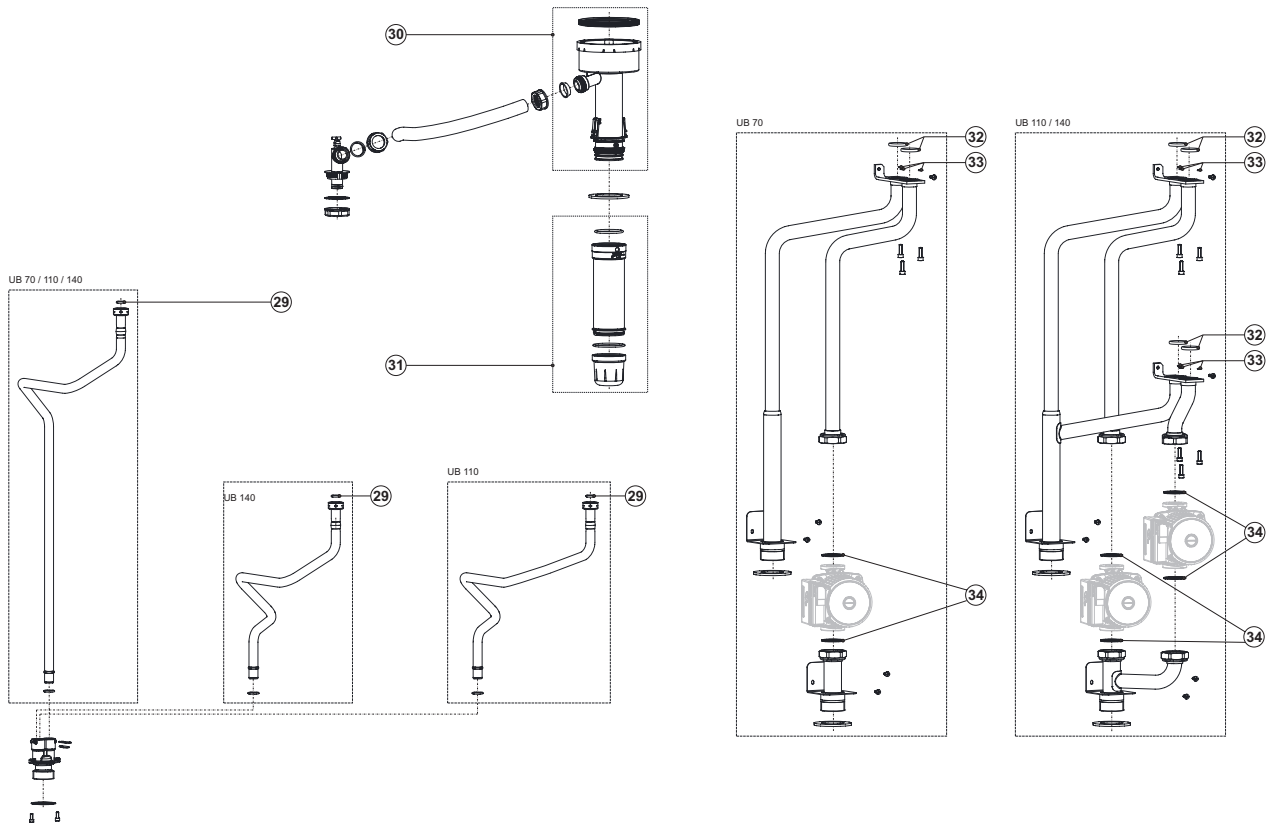


## EVD-0088A

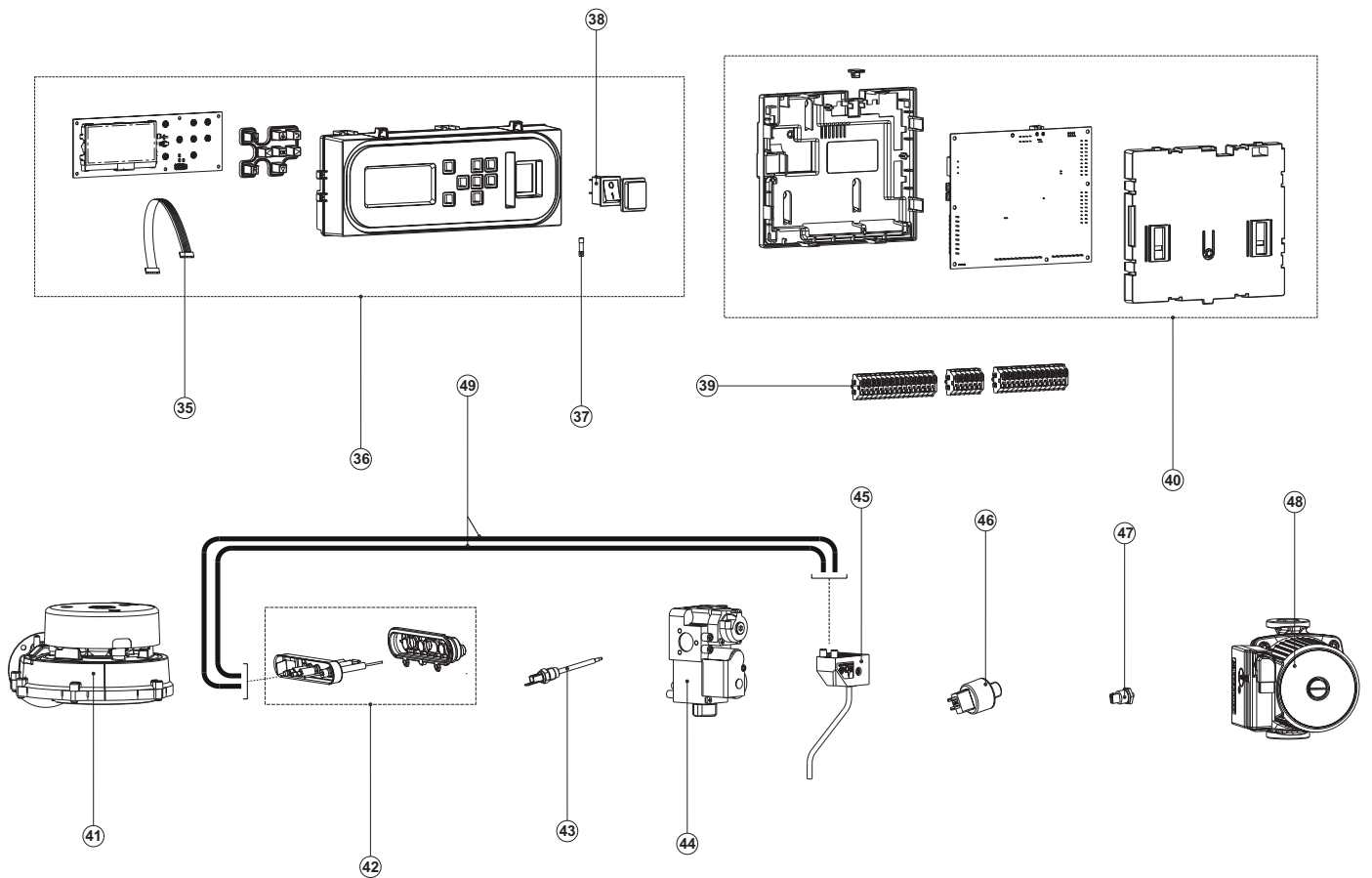


## EVD-0088B

# Exploded view UB



**EVD-0088C**



**EVD-0088D**

# UB

## UB parts



No.	Description	UB 70 (1× HEX 4)			UB 110 (1× HEX 2 en 1× HEX 4)			UB 140 (2× HEX 4)		
		From	Till	Art. no.	From	Till	Art. no.	From	Till	Art. no.
<b>Casing</b>										
1	Gasket (Cover Air Inlet)			0310828(S)			0310828(S)			0310828(S)
2	Gasket (Air Intake Pipe)			0310530(S)			0310530(S)			0310530(S)
3	Gasket (Cover Air Inlet)			0310829(S)			0310829(S)			0310829(S)
4	Gasket (Display-Jacket)			n.d.			n.d.			n.d.
<b>Heat Exchanger</b>										
5	Non Return Valve			0310995(S)			0310995(S)			0310995(S)
6	Gasket (Venturi-Fan)			0310454(S)			0310454(S)			0310454(S)
7	Venturi	HEX 2		-			0310429(S)			-
		HEX 4		0310430(S)			0310430(S)			0310430(S)
8	Gasket (Silencer-Venturi)			0310403(S)			0310403(S)			0310403(S)
9	Silencer	HEX 2		-			n.d.			-
		HEX 4		n.d.			n.d.			n.d.
10	Gasket (Venturi-Gas Control Valve)			0310458(S)			0310458(S)			0310458(S)
11	Cover Heat Exchanger	HEX 2		-			n.d.			-
		HEX 4		0310533(S)			0310533(S)			0310533(S)
12	Gasket (Heat Exchanger-Cover Heat Ex.)	HEX 2		-			0310499(S)			-
		HEX 4		0310500(S)			0310500(S)			0310500(S)
13	Gasket (Burner-Cover Heat Exchanger)	HEX 2		-			0310497(S)			-
		HEX 4		0310498(S)			0310498(S)			0310498(S)
14	Burner	HEX 2 NAT/LP		-			0310494(S)			-
		HEX 4 NAT/LP		0310534(S)			0310534(S)			0310534(S)
15	Insulation Heat Exchanger			0310505(S)			0310505(S)			0310505(S)
16	Clamp Cover Heat Exchanger			0310409(S)			0310409(S)			0310409(S)
17	Gasket (Ionisation/Ignition-Heat Ex.)			0310489(S)			0310489(S)			0310489(S)
18	Heat Exchanger	HEX 2		-			0310813(S)			-
		HEX 4		0310814(S)			0310814(S)			0310814(S)
19	Clamp Condensate Tray			0310408(S)			0310408(S)			0310408(S)
20	Gasket (Condensate Tray-Heat Exchanger)	HEX 2		-			0310496(S)			-
		HEX 4		0310502(S)			0310502(S)			0310502(S)
21	Condensate Tray	HEX 2		-			0310521(S)			-
		HEX 4		0310520(S)			0310520(S)			0310520(S)
22	Automatic Air Vent			0310815(S)			0310815(S)			0310815(S)
23	Gasket (Air Vent-Heat Exchanger)			0310816(S)			0310816(S)			0310816(S)
24	Gasket (Flue Gas Discharge Pipe)			0310525(S)			0310525(S)			0310525(S)
25	Gasket (Flue Gas Discharge Pipe)			0310529(S)			0310529(S)			0310529(S)
26	Gasket (Flue Gas Discharge Pipe-Condens.)			0310528(S)			0310528(S)			0310528(S)
27	Spring Ignition Electrode			0310491(S)			0310491(S)			0310491(S)
28	Water Pressure Sensor			0310485(S)			0310485(S)			0310485(S)
<b>Tubing</b>										
29	O-ring (Gas Pipe-Gas Control Valve)			0310831(S)			0310831(S)			0310831(S)
30	Syphon (Internal)			0310524(S)			0310524(S)			0310524(S)
31	Syphon (External)			0310535(S)			0310535(S)			0310535(S)
32	O-ring (Flow/Return-Heat Exchanger)			0310410(S)			0310410(S)			0310410(S)
33	O-ring (Flow/Return Connection to Heat Ex.)			0310824(S)			0310824(S)			0310824(S)
34	Gasket Pump			0310838(S)			0310838(S)			0310838(S)
<b>Control and Electrical Parts</b>										
35	Communication Cable Display-Control			0310376(S)			0310376(S)			0310376(S)
36	Display			0310532(S)			0310532(S)			0310532(S)
37	Fuse			0310870(S)			0310870(S)			0310870(S)
38	ON/OFF-switch			0310522(S)			0310522(S)			0310522(S)
39	Cable Assy			0310536(S)			0310536(S)			0310536(S)
40	Control			0310531(S)			0310531(S)			0310531(S)
41	Fan	HEX 2		-			0310871(S)			-
		HEX 4		0310517(S)			0310517(S)			0310517(S)
42	Ignition Electrode with Gasket			0310490(S)			0310490(S)			0310490(S)
43	Flow Sensor			0310513(S)			0310513(S)			0310513(S)
44	Gas Control Valve			0310515(S)			0310515(S)			0310515(S)
45	Ignition Trafo			0310523(S)			0310523(S)			0310523(S)
46	Water Pressure Sensor			0310485(S)			0310485(S)			0310485(S)
47	NTC Sensor			0310514(S)			0310514(S)			0310514(S)
48	Pump	HEX 2		-			0310807(S)			-
		HEX 4		0310808(S)			0310808(S)			0310808(S)
49	Ignition Cable Set			0310516(S)			0310516(S)			0310516(S)

Parts that are marked yellow are parts that are used for maintenance.

# UB

## UB Conversion sets

Description	UB 70 (1× HEX 4)			UB 110 (1× HEX 2 en 1× HEX 4)			UB 140 (2× HEX 4)		
	From	Till	Art. no.	From	Till	Art. no.	From	Till	Art. no.
Conversion set to LP-gas			0310342(S)			0310343(S)			0310344(S)
Conversion set to NAT-gas			0310804(S)			0310805(S)			0310806(S)

# WF / WFF

## WF / WFF parts



description	WFF 80	WFF 120	WF 80	WF 120
Automatic burner control	0304284(S)	0304284(S)	-	-
Gas control	0304272(S)	0304272(S)	n.a.	n.a.
Differential air pressure switch	0304266(S)	0304266(S)	-	-
Fan	0307089(S)	0307089(S)	-	-
Thermocouple diverter	-	-	n.a.	n.a.
Anode	0307268(S)	0307268(S)	0307268(S)	0307268(S)
Lid inspection opening	0304270(S)	0304270(S)	-	-
Gasket inspection opening	0304269(S)	0304269(S)	-	-
Safety thermostat 85°C	n.a.	n.a.	-	-
Control thermostat 35-80°C	0304277(S)	0304277(S)	-	-
Ionisation electrode	0304280(S)	0304280(S)	-	-
Electrode ignition	0304279(S)	0304279(S)	-	-
Burner	0304681(S)	0304681(S)	n.a.	n.a.
Ignition cable	n.a.	n.a.	-	-
Ionisation cable	0307075(S)	0307075(S)	-	-
Gasket chimney pipe	0307077(S)	0307077(S)	-	-

**Remark:**

The drawings of the WF and WFF water heaters are not available

Parts that are marked yellow are parts that are used for maintenance.

## Effectively de-scaling with Dscale

### Why A.O. Smith Dscale?

Regular maintenance of water heaters is very important. In all our appliances, except for the BFC, NGT, SGE and SGS, the burner is situated at the bottom. Lime scale deposited at the bottom will be heated over and over again and becomes harder to remove over time.

Lime scale affects good conductivity of heat to the water. Periodical cleaning and de-scaling extends the lifetime of the appliance, improves the heating process and saves energy. Dscale heLPs to remove lime scale effectively, easily and safely.

### How does the product work?

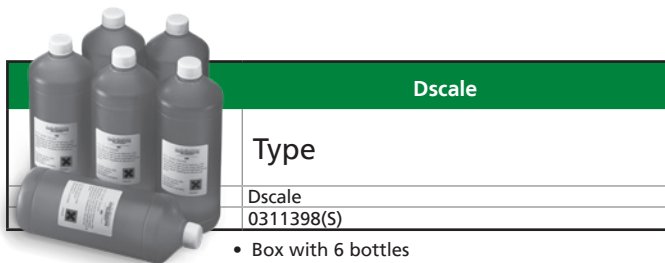
A.O. Smith Dscale is a powerful de-scaling solution which changes color during the process. It is a concentrated liquid that, depending on the amount of deposited lime scale, needs to be diluted with water. Dscale prevents the removed lime scale to re-attach to the interior; it then disappears from the water heater during the rinsing procedure.

### What is the product made of?

A.O. Smith Dscale is a safe, concentrated de-scale liquid based on natural, biodegradable acids like lactic acid and citric acid. The product complies with most recent environmental directives and can be easily flushed away in the sewage system. Please read the instruction manual before use.

### Maintenance recommendation for water heaters

Waterside maintenance of a water heater involves: de-scaling, replacement of anodes and replacement of gaskets. For optimal functioning of a water heater it is advisory to implement a maintenance plan 3 months after its installation. This maintenance plan takes the water quality, the application and the temperature settings of the water heater into consideration. In a BFC, NGT, SGE and SGS, (in which the burner is situated in the top of the appliance), the lime scale does not attach to the interior because the water heater is not heated in that particular area.



Capacity appliance (litre)	Amount of required liquids (litre)
80 - 155	6 (3 litre Dscale)
160 - 200	8 (4 litre Dscale)
200 - 300	12 (6 litre Dscale)
after 300	20 (10litre Dscale)

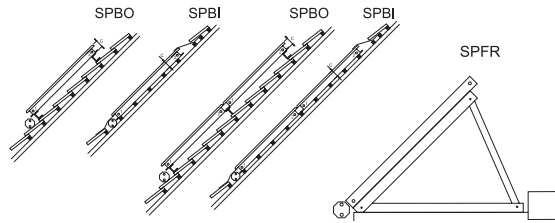
A.O. Smith Dscale is red, but its color changes into yellow/orange when it is brought in contact with lime scale. Dscale dissolves the lime scale in the water heater so it can be easily rinsed out.



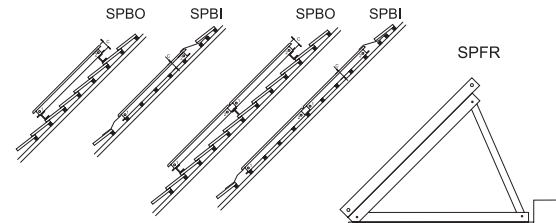
# Collectors

The collectors are available in several types. These types are based on the manner of mounting of the collectors. After the type the number of collectors, the angle (if applicable) or the number of rows are mentioned. Drain back which is indicated by DB, Horizontal or Vertical indicated by H or V are additional options for the collectors. For mounting on a flat roof it is possible to order the set with or without concrete blocks. If the set is including concrete blocks a B should be added to the type name.

With drain back



Without drain back



## INSTALLATION ON ROOF

Type	No.	Row	Drain back	Horizontal / vertical	Type	No.	Row	Drain back	Horizontal / vertical
SPBO	01	1	DB	H/V	SPBO	02	2	-	H/V
SPBO	02	1	DB	H/V	SPBO	04	2	-	H/V
SPBO	03	1	DB	H/V	SPBO	06	2	DB	H/V
SPBO	04	1	DB	H/V	SPBO	08	2	DB	H/V
SPBO	05	1	DB	H/V	SPBO	10	2	DB	H/V
SPBO	06	1	DB	H/V	SPBO	12	2	DB	H/V
SPBO	07	1	DB	H/V	SPBO	14	2	DB	H/V
SPBO	08	1	DB	H/V					
SPBO	09	1	DB	H/V					
SPBO	10	1	DB	H/V					
SPBO	11	1	DB	H/V					
SPBO	12	1	DB	H/V					
SPBO	13	1	DB	H/V					
SPBO	14	1	DB	H/V					
SPBO	15	1	DB	H/V					

## INSTALLATION IN ROOF

Type	No.	Row	Drain back	Horizontal / vertical	Type	No.	Row	Drain back	Horizontal / vertical
SPBI	01	1	DB	H/V	SPBI	02	2	-	H/V
SPBI	02	1	DB	H/V	SPBI	04	2	-	H/V
SPBI	03	1	DB	H/V	SPBI	06	2	DB	H/V
SPBI	04	1	DB	H/V	SPBI	08	2	DB	H/V
SPBI	05	1	DB	H/V	SPBI	10	2	DB	H/V
SPBI	06	1	DB	H/V	SPBI	12	2	DB	H/V
SPBI	07	1	DB	H/V	SPBI	14	2	DB	H/V
SPBI	08	1	DB	H/V					
SPBI	09	1	DB	H/V					
SPBI	10	1	DB	H/V					
SPBI	11	1	DB	H/V					
SPBI	12	1	DB	H/V					
SPBI	13	1	DB	H/V					
SPBI	14	1	DB	H/V					
SPBI	15	1	DB	H/V					

# Collectors

The collectors are available in several types. These types are based on the manner of mounting of the collectors. After the type the number of collectors, the angle (if applicable) or the number of rows are mentioned. Drain back which is indicated by DB, Horizontal or Vertical indicated by H or V are additional options for the collectors. For mounting on a flat roof it is possible to order the set with or without concrete blocks. If the set is including concrete blocks a B should be added to the type name.

INSTALLATION ON FLAT ROOF											
Type	No.	Angle	Drain back	Horizontal/ vertical	With/ without concrete blocks	Type	No.	Angle	Drain back	Horizontal/ vertical	With/ without concrete blocks
SPFR	01	F 20/30	DB	H/V	B	SPFR	01	F 45/60	DB	H/V	B
SPFR	02	F 20/30	DB	H/V	B	SPFR	02	F 45/60	DB	H/V	B
SPFR	03	F 20/30	DB	H/V	B	SPFR	03	F 45/60	DB	H/V	B
SPFR	04	F 20/30	DB	H/V	B	SPFR	04	F 45/60	DB	H/V	B
SPFR	05	F 20/30	DB	H/V	B	SPFR	05	F 45/60	DB	H/V	B
SPFR	06	F 20/30	DB	H/V	B	SPFR	06	F 45/60	DB	H/V	B
SPFR	07	F 20/30	DB	H/V	B	SPFR	07	F 45/60	DB	H/V	B
SPFR	08	F 20/30	DB	H/V	B	SPFR	08	F 45/60	DB	H/V	B
SPFR	09	F 20/30	DB	H/V	B	SPFR	09	F 45/60	DB	H/V	B
SPFR	10	F 20/30	DB	H/V	B	SPFR	10	F 45/60	DB	H/V	B
SPFR	11	F 20/30	DB	H/V	B	SPFR	11	F 45/60	DB	H/V	B
SPFR	12	F 20/30	DB	H/V	B	SPFR	12	F 45/60	DB	H/V	B
SPFR	13	F 20/30	DB	H/V	B	SPFR	13	F 45/60	DB	H/V	B
SPFR	14	F 20/30	DB	H/V	B	SPFR	14	F 45/60	DB	H/V	B
SPFR	15	F 20/30	DB	H/V	B	SPFR	15	F 45/60	DB	H/V	B
SPFR	15	F 20/30	DB	H/V	B	SPFR	15	F 45/60	DB	H/V	B

INSTALLATION ON WALL														
Type	No.	Angle	Drain back	Horizontal/ vertical	Type	No.	Angle	Drain back	Horizontal/ vertical	Type	No.	Angle	Drain back	Horizontal/ vertical
SPWL	01	F 45	DB	H/V	SPWL	01	F 60	DB	H/V	SPWL	01	F 70	DB	H/V
SPWL	02	F 45	DB	H/V	SPWL	02	F 60	DB	H/V	SPWL	02	F 70	DB	H/V
SPWL	03	F 45	DB	H/V	SPWL	03	F 60	DB	H/V	SPWL	03	F 70	DB	H/V
SPWL	04	F 45	DB	H/V	SPWL	04	F 60	DB	H/V	SPWL	04	F 70	DB	H/V
SPWL	05	F 45	DB	H/V	SPWL	05	F 60	DB	H/V	SPWL	05	F 70	DB	H/V
SPWL	06	F 45	DB	H/V	SPWL	06	F 60	DB	H/V	SPWL	06	F 70	DB	H/V
SPWL	07	F 45	DB	H/V	SPWL	07	F 60	DB	H/V	SPWL	07	F 70	DB	H/V
SPWL	08	F 45	DB	H/V	SPWL	08	F 60	DB	H/V	SPWL	08	F 70	DB	H/V
SPWL	09	F 45	DB	H/V	SPWL	09	F 60	DB	H/V	SPWL	09	F 70	DB	H/V
SPWL	10	F 45	DB	H/V	SPWL	10	F 60	DB	H/V	SPWL	10	F 70	DB	H/V
SPWL	11	F 45	DB	H/V	SPWL	11	F 60	DB	H/V	SPWL	11	F 70	DB	H/V
SPWL	12	F 45	DB	H/V	SPWL	12	F 60	DB	H/V	SPWL	12	F 70	DB	H/V
SPWL	13	F 45	DB	H/V	SPWL	13	F 60	DB	H/V	SPWL	13	F 70	DB	H/V
SPWL	14	F 45	DB	H/V	SPWL	14	F 60	DB	H/V	SPWL	14	F 70	DB	H/V
SPWL	15	F 45	DB	H/V	SPWL	15	F 60	DB	H/V	SPWL	15	F 70	DB	H/V

# Collector parts

## Spare parts SPBO horizontal sets

Description	Art. no.	SINGLE ROW WITHOUT DRAINBACK															DUAL ROW WITHOUT DRAINBACK						
		SPBO 01 1 H	SPBO 02 1 H	SPBO 03 1 H	SPBO 04 1 H	SPBO 05 1 H	SPBO 06 1 H	SPBO 07 1 H	SPBO 08 1 H	SPBO 09 1 H	SPBO 10 1 H	SPBO 11 1 H	SPBO 12 1 H	SPBO 13 1 H	SPBO 14 1 H	SPBO 15 1 H	SPBO 02 2 H	SPBO 04 2 H	SPBO 06 2 H	SPBO 08 2 H	SPBO 10 2 H	SPBO 12 2 H	SPBO 14 2 H
Solar Collector	0308740(S)	X	X	X	X	X	X	X	X	X	X	X	X	X	X	X	X	X	X	X	X	X	X
Hydraulic Connections (between collectors)	0308753(S)		X	X	X	X	X	X	X	X	X	X	X	X	X	X		X	X	X	X	X	X
Hydraulic Connections (in- and outlet collectors)	0308754(S)	X	X	X	X	X	X	X	X	X	X	X	X	X	X								
Connection Set (in- and outlet collector)	0308758(S)	X	X	X	X	X	X	X	X	X	X	X	X	X	X								
Air Eliminator (short version)	0308755(S)	X	X	X	X	X	X	X	X	X	X	X	X	X	X	X	X	X	X	X	X	X	X
Mounting Set (between collectors)	0310250(S)	X	X	X	X	X	X	X	X	X	X	X	X	X	X	X	X	X	X	X	X	X	X
Mounting Set (between collectors and profile)	0310251(S)		X	X	X	X	X	X	X	X	X	X	X	X	X		X	X	X	X	X	X	X
Roofbracket Set	0308775(S)	X	X	X	X	X	X	X	X	X	X	X	X	X	X	X	X	X	X	X	X	X	X
Profile Set	0310257(S)	X	X	X	X	X	X	X	X	X	X	X	X	X	X	X	X	X	X	X	X	X	X
Stop Set Collector	0310255(S)	X	X	X	X	X	X	X	X	X	X	X	X	X	X	X	X	X	X	X	X	X	X
Mounting Set (between profile and roofbracket)	0310252(S)		X	X	X	X	X	X	X	X	X	X	X	X	X		X	X	X	X	X	X	X
Mounting Set (between stop and profile)	0310253(S)		X	X	X	X	X	X	X	X	X	X	X	X	X		X	X	X	X	X	X	X
Covering Plates	0310009(S)		X	X	X	X	X	X	X	X	X	X	X	X	X		X	X	X	X	X	X	X
	n.a.	X	X	X	X	X	X	X	X	X	X	X	X	X	X	X	X	X	X	X	X	X	X
	0310011(S)	X	X	X	X	X	X	X	X	X	X	X	X	X	X	X	X	X	X	X	X	X	X
	0308750(S)	X	X	X	X	X	X	X	X	X	X	X	X	X	X	X	X	X	X	X	X	X	X
Collector Connection Pipe	0310019(S)																X	X	X	X	X	X	X
Reducing Nipple	n.a.																X	X	X	X	X	X	X
Extra Hydraulic Clamps	0308757(S)	X	X	X	X	X	X	X	X	X	X	X	X	X	X	X	X	X	X	X	X	X	X
Extra Mounting Set (collectors on profile)	n.a.	X	X	X	X	X	X	X	X	X	X	X	X	X	X	X	X	X	X	X	X	X	X
Screwdriver and Bids	n.a.	X	X	X	X	X	X	X	X	X	X	X	X	X	X	X	X	X	X	X	X	X	X
Extra Mounting Set (between stop and profile)	0310254(S)	X	X	X	X	X	X	X	X	X	X	X	X	X	X	X	X	X	X	X	X	X	X

Description	Art. no.	SINGLE ROW WITHOUT DRAINBACK															DUAL ROW WITHOUT DRAINBACK						
		SPBO 01 1 DBH	SPBO 02 1 DBH	SPBO 03 1 DBH	SPBO 04 1 DBH	SPBO 05 1 DBH	SPBO 06 1 DBH	SPBO 07 1 DBH	SPBO 08 1 DBH	SPBO 09 1 DBH	SPBO 10 1 DBH	SPBO 11 1 DBH	SPBO 12 1 DBH	SPBO 13 1 DBH	SPBO 14 1 DBH	SPBO 15 1 DBH	SPBO 06 2 DBH	SPBO 08 2 DBH	SPBO 10 2 DBH	SPBO 12 2 DBH	SPBO 14 2 DBH		
Solar Collector	0308740(S)	X	X	X	X	X	X	X	X	X	X	X	X	X	X	X	X	X	X	X	X	X	X
Hydraulic Connections (between collectors)	0308753(S)		X	X	X	X	X	X	X	X	X	X	X	X	X	X	X	X	X	X	X	X	X
Hydraulic Connections (in- and outlet collectors)	0308754(S)	X	X	X	X	X	X	X	X	X	X	X	X	X	X		X	X	X	X	X	X	X
Connection Set (in- and outlet collector)	0308758(S)	X	X	X	X	X	X	X	X	X	X	X	X	X	X		X	X	X	X	X	X	X
Air Eliminator (short version)	0308755(S)	X	X	X	X	X	X	X	X	X	X	X	X	X	X	X	X	X	X	X	X	X	X
Mounting Set (between collectors)	0310250(S)	X	X	X	X	X	X	X	X	X	X	X	X	X	X	X	X	X	X	X	X	X	X
Mounting Set (between collectors and profile)	0310251(S)		X	X	X	X	X	X	X	X	X	X	X	X	X		X	X	X	X	X	X	X
Roofbracket Set	0308775(S)	X	X	X	X	X	X	X	X	X	X	X	X	X	X	X	X	X	X	X	X	X	X
Profile Set	0310257(S)	X	X	X	X	X	X	X	X	X	X	X	X	X	X	X	X	X	X	X	X	X	X
Stop Set Collector	0310255(S)	X	X	X	X	X	X	X	X	X	X	X	X	X	X	X	X	X	X	X	X	X	X
Mounting Set (between profile and roofbracket)	0310252(S)		X	X	X	X	X	X	X	X	X	X	X	X	X		X	X	X	X	X	X	X
Mounting Set (between stop and profile)	0310253(S)		X	X	X	X	X	X	X	X	X	X	X	X	X		X	X	X	X	X	X	X
Covering Plates	0310009(S)		X	X	X	X	X	X	X	X	X	X	X	X	X		X	X	X	X	X	X	X
	n.a.	X	X	X	X	X	X	X	X	X	X	X	X	X	X	X	X	X	X	X	X	X	X
	0310011(S)	X	X	X	X	X	X	X	X	X	X	X	X	X	X	X	X	X	X	X	X	X	X
	0308750(S)	X	X	X	X	X	X	X	X	X	X	X	X	X	X	X	X	X	X	X	X	X	X
Drain Back Tank (Basic)	0308786(S)	X	X	X	X	X	X	X	X	X	X	X	X	X	X	X	X	X	X	X	X	X	X
Drain Back Tank (Add-On)	0308788(S)					X	X	X	X	X	X	X	X	X	X	X	X	X	X	X	X	X	X
Mounting Set (drain back tank on profile)	n.a.	X	X	X	X	X	X	X	X	X	X	X	X	X	X	X	X	X	X	X	X	X	X
Hydraulic Connections (between drain backs)	0308792(S)					X	X	X	X	X	X	X	X	X	X	X	X	X	X	X	X	X	X
Conn Hose (between collector and drain back)	0308910(S)	X	X	X	X	X	X	X	X	X	X	X	X	X	X	X	X	X	X	X	X	X	X
Connection Set (drain back)	0308794(S)	X	X	X	X	X	X	X	X	X	X	X	X	X	X	X	X	X	X	X	X	X	X
Hydraulic Connections (final drain back)	0309055	X	X	X	X	X	X	X	X	X	X	X	X	X	X	X	X	X	X	X	X	X	X
Hydraulic Connections (between rows)	0309042																X	X	X	X	X	X	X
Cap Set Collectors	0308896(S)																X	X	X	X	X	X	X
Extra Hydraulic Clamps	0308757(S)	X	X	X	X	X	X	X	X	X	X	X	X	X	X	X	X	X	X	X	X	X	X
Extra Mounting Set (collectors on profile)	n.a.	X	X	X	X	X	X	X	X	X	X	X	X	X	X	X	X	X	X	X	X	X	X
Screwdriver and Bids	n.a.	X	X	X	X	X	X	X	X	X	X	X	X	X	X	X	X	X	X	X	X	X	X
Extra Mounting Set (between stop and profile)	0310254(S)	X	X	X	X	X	X	X	X	X	X	X	X	X	X	X	X	X	X	X	X	X	X

# Collector parts

## Spare parts SPBO vertical sets before 15-09-'11

Description	Art. no.	SINGLE ROW WITHOUT DRAINBACK															DUAL ROW WITHOUT DRAINBACK							
		SPBO 01 1 V	SPBO 02 1 V	SPBO 03 1 V	SPBO 04 1 V	SPBO 05 1 V	SPBO 06 1 V	SPBO 07 1 V	SPBO 08 1 V	SPBO 09 1 V	SPBO 10 1 V	SPBO 11 1 V	SPBO 12 1 V	SPBO 13 1 V	SPBO 14 1 V	SPBO 15 1 V	SPBO 02 2 V	SPBO 04 2 V	SPBO 06 2 V	SPBO 08 2 V	SPBO 10 2 V	SPBO 12 2 V	SPBO 14 2 V	
Solar Collector	0308739(S)	X	X	X	X	X	X	X	X	X	X	X	X	X	X	X	X	X	X	X	X	X	X	X
Hydraulic Connections (between collectors)	0308753(S)		X	X	X	X	X	X	X	X	X	X	X	X	X	X		X	X	X	X	X	X	X
Hydraulic Connections (in- and outlet collectors)	0308754(S)	X	X	X	X	X	X	X	X	X	X	X	X	X	X	X								
Connection Set (in- and outlet collector)	0308758(S)	X	X	X	X	X	X	X	X	X	X	X	X	X	X	X								
Air Eliminator (short version)	0308755(S)	X	X	X	X	X	X	X	X	X	X	X	X	X	X	X	X	X	X	X	X	X	X	X
Mounting Set (outer collectors onto profile)	0308768(S)	X	X	X	X	X	X	X	X	X	X	X	X	X	X	X	X	X	X	X	X	X	X	X
Mounting Set (inbetween collectors onto profile)	n.a.		X	X	X	X	X	X	X	X	X	X	X	X	X	X		X	X	X	X	X	X	X
Roofbracket Set	0308775(S)	X	X	X	X	X	X	X	X	X	X	X	X	X	X	X	X	X	X	X	X	X	X	X
Profile Set	0308776(S)	X	X	X	X	X	X	X	X	X	X	X	X	X	X	X	X	X	X	X	X	X	X	X
Mounting Set (between profile and roofbracket)	n.a.		X	X	X	X	X	X	X	X	X	X	X	X	X	X		X	X	X	X	X	X	X
Covering Plates	0308751(S)	X	X	X	X	X	X	X	X	X	X	X	X	X	X	X	X	X	X	X	X	X	X	X
	0308752(S)	X	X	X	X	X	X	X	X	X	X	X	X	X	X	X	X	X	X	X	X	X	X	X
	0308750(S)	X	X	X	X	X	X	X	X	X	X	X	X	X	X	X	X	X	X	X	X	X	X	X
	0309086(S)		X	X	X	X	X	X	X	X	X	X	X	X	X	X		X	X	X	X	X	X	X
Profile Set Multi-row	0308777(S)																X	X	X	X	X	X	X	X
Conn. Hose (between collectors)	0308759(S)																X	X	X	X	X	X	X	X
Reducing Nipple	n.a.																X	X	X	X	X	X	X	X
Exytra Hydraulic Clamps	0308757(S)	X	X	X	X	X	X	X	X	X	X	X	X	X	X	X	X	X	X	X	X	X	X	X
Extra Mounting Set (collectors on profile)	n.a.	X	X	X	X	X	X	X	X	X	X	X	X	X	X	X	X	X	X	X	X	X	X	X
Screwdriver and Bids	n.a.	X	X	X	X	X	X	X	X	X	X	X	X	X	X	X	X	X	X	X	X	X	X	X

Description	Art. no.	SINGLE ROW WITHOUT DRAINBACK															DUAL ROW WITHOUT DRAINBACK							
		SPBO 01 1 V	SPBO 02 1 V	SPBO 03 1 V	SPBO 04 1 V	SPBO 05 1 V	SPBO 06 1 V	SPBO 07 1 V	SPBO 08 1 V	SPBO 09 1 V	SPBO 10 1 V	SPBO 11 1 V	SPBO 12 1 V	SPBO 13 1 V	SPBO 14 1 V	SPBO 15 1 V	SPBO 06 2 V	SPBO 08 2 V	SPBO 10 2 V	SPBO 12 2 V	SPBO 14 2 V			
Solar Collector	0308739(S)	X	X	X	X	X	X	X	X	X	X	X	X	X	X	X	X	X	X	X	X	X	X	X
Hydraulic Connections (between collectors)	0308753(S)		X	X	X	X	X	X	X	X	X	X	X	X	X	X	X	X	X	X	X	X	X	X
Hydraulic Connections (in- and outlet collectors)	0308754(S)	X	X	X	X	X	X	X	X	X	X	X	X	X	X	X		X	X	X	X	X	X	X
Connection Set (in- and outlet collector)	0308758(S)	X	X	X	X	X	X	X	X	X	X	X	X	X	X	X		X	X	X	X	X	X	X
Air Eliminator (short version)	0308755(S)	X	X	X	X	X	X	X	X	X	X	X	X	X	X	X	X	X	X	X	X	X	X	X
Mounting Set (outer collectors onto profile)	0308768(S)	X	X	X	X	X	X	X	X	X	X	X	X	X	X	X	X	X	X	X	X	X	X	X
Mounting Set (inbetween collectors onto profile)	n.a.		X	X	X	X	X	X	X	X	X	X	X	X	X	X		X	X	X	X	X	X	X
Roofbracket Set	0308775(S)	X	X	X	X	X	X	X	X	X	X	X	X	X	X	X	X	X	X	X	X	X	X	X
Profile Set	0308776(S)	X	X	X	X	X	X	X	X	X	X	X	X	X	X	X	X	X	X	X	X	X	X	X
Mounting Set (between profile and roofbracket)	n.a.		X	X	X	X	X	X	X	X	X	X	X	X	X	X		X	X	X	X	X	X	X
Covering Plates	0308751(S)	X	X	X	X	X	X	X	X	X	X	X	X	X	X	X	X	X	X	X	X	X	X	X
	0308752(S)	X	X	X	X	X	X	X	X	X	X	X	X	X	X	X	X	X	X	X	X	X	X	X
	0308750(S)	X	X	X	X	X	X	X	X	X	X	X	X	X	X	X	X	X	X	X	X	X	X	X
	0309086(S)		X	X	X	X	X	X	X	X	X	X	X	X	X	X		X	X	X	X	X	X	X
Drain Back Tank (Basic)	0308782(S)	X	X	X	X	X	X	X	X	X	X	X	X	X	X	X	X	X	X	X	X	X	X	X
Drain Back Tank (Add-On)	0308784(S)			X	X	X	X	X	X	X	X	X	X	X	X	X	X	X	X	X	X	X	X	X
Mounting Set (drain back tank on profile)	n.a.	X	X	X	X	X	X	X	X	X	X	X	X	X	X	X	X	X	X	X	X	X	X	X
Hydraulic Connections (between drain backs)	0308792(S)			X	X	X	X	X	X	X	X	X	X	X	X	X	X	X	X	X	X	X	X	X
Conn Hose (between collector and drain back)	0308910(S)	X	X	X	X	X	X	X	X	X	X	X	X	X	X	X	X	X	X	X	X	X	X	X
Connection Set (drain back)	0308793(S)	X	X	X	X	X	X	X	X	X	X	X	X	X	X	X	X	X	X	X	X	X	X	X
Hydraulic Connections (final drain back)	0309055(S)	X	X	X	X	X	X	X	X	X	X	X	X	X	X	X	X	X	X	X	X	X	X	X
Profile Set Multi-row	0308777(S)																X	X	X	X	X	X	X	X
Hydraulic Connections (between rows)	0309042(S)																X	X	X	X	X	X	X	X
Cap Set Collectors	0308896(S)																X	X	X	X	X	X	X	X
Extra Hydraulic Clamps	0308757(S)	X	X	X	X	X	X	X	X	X	X	X	X	X	X	X	X	X	X	X	X	X	X	X
Extra Mounting Set (collectors on profile)	n.a.	X	X	X	X	X	X	X	X	X	X	X	X	X	X	X	X	X	X	X	X	X	X	X
Screwdriver and Bids	n.a.	X	X	X	X	X	X	X	X	X	X	X	X	X	X	X	X	X	X	X	X	X	X	X

# Collector parts

## Spare parts SPBO vertical sets after 16-09-'11

Description	Art. no.	SINGLE ROW WITHOUT DRAINBACK														DUAL ROW WITHOUT DRAINBACK								
		SPBO 01 1 V	SPBO 02 1 V	SPBO 03 1 V	SPBO 04 1 V	SPBO 05 1 V	SPBO 06 1 V	SPBO 07 1 V	SPBO 08 1 V	SPBO 09 1 V	SPBO 10 1 V	SPBO 11 1 V	SPBO 12 1 V	SPBO 13 1 V	SPBO 14 1 V	SPBO 15 1 V	SPBO 02 2 V	SPBO 04 2 V	SPBO 06 2 V	SPBO 08 2 V	SPBO 10 2 V	SPBO 12 2 V	SPBO 14 2 V	
Solar Collector	0308739(S)	X	X	X	X	X	X	X	X	X	X	X	X	X	X	X	X	X	X	X	X	X	X	X
Hydraulic Connections (between collectors)	0308753(S)		X	X	X	X	X	X	X	X	X	X	X	X	X	X		X	X	X	X	X	X	X
Hydraulic Connections (in- and outlet collectors)	0308754(S)	X	X	X	X	X	X	X	X	X	X	X	X	X	X	X								
Connection Set (in- and outlet collector)	0308758(S)	X	X	X	X	X	X	X	X	X	X	X	X	X	X	X								
Air Eliminator (short version)	0308755(S)	X	X	X	X	X	X	X	X	X	X	X	X	X	X	X	X	X	X	X	X	X	X	X
Mounting Set (between collectors)	0310250(S)	X	X	X	X	X	X	X	X	X	X	X	X	X	X	X	X	X	X	X	X	X	X	X
Mounting Set (between collectors and profile)	0310251(S)		X	X	X	X	X	X	X	X	X	X	X	X	X	X		X	X	X	X	X	X	X
Roofbracket Set	0308775(S)	X	X	X	X	X	X	X	X	X	X	X	X	X	X	X	X	X	X	X	X	X	X	X
Profile Set	0310256(S)	X	X	X	X	X	X	X	X	X	X	X	X	X	X	X	X	X	X	X	X	X	X	X
Stop Set Collector	0310255(S)	X	X	X	X	X	X	X	X	X	X	X	X	X	X	X		X	X	X	X	X	X	X
Mounting Set (between profile and roofbracket)	0310252(S)		X	X	X	X	X	X	X	X	X	X	X	X	X	X		X	X	X	X	X	X	X
Mounting Set (between stop and profile)	0310253(S)		X	X	X	X	X	X	X	X	X	X	X	X	X	X		X	X	X	X	X	X	X
Covering Plates	0308751(S)	X	X	X	X	X	X	X	X	X	X	X	X	X	X	X	X	X	X	X	X	X	X	X
	0308752(S)	X	X	X	X	X	X	X	X	X	X	X	X	X	X	X	X	X	X	X	X	X	X	X
	0308750(S)	X	X	X	X	X	X	X	X	X	X	X	X	X	X	X	X	X	X	X	X	X	X	X
	0309086(S)		X	X	X	X	X	X	X	X	X	X	X	X	X	X		X	X	X	X	X	X	X
Conn. Hose (between collectors)	0308759(S)																X	X	X	X	X	X	X	X
Reducing Nipple	n.a.																X	X	X	X	X	X	X	X
Extra Hydraulic Clamps	0308757(S)	X	X	X	X	X	X	X	X	X	X	X	X	X	X	X	X	X	X	X	X	X	X	X
Extra Mounting Set (collectors on profile)	n.a.	X	X	X	X	X	X	X	X	X	X	X	X	X	X	X	X	X	X	X	X	X	X	X
Screwdriver and Bids	n.a.	X	X	X	X	X	X	X	X	X	X	X	X	X	X	X	X	X	X	X	X	X	X	X
Extra Mounting Set (between stop and profile)	0310254(S)	X	X	X	X	X	X	X	X	X	X	X	X	X	X	X	X	X	X	X	X	X	X	X

Description	Art. no.	SINGLE ROW WITHOUT DRAINBACK														DUAL ROW WITHOUT DRAINBACK								
		SPBO 01 1 V	SPBO 02 1 V	SPBO 03 1 V	SPBO 04 1 V	SPBO 05 1 V	SPBO 06 1 V	SPBO 07 1 V	SPBO 08 1 V	SPBO 09 1 V	SPBO 10 1 V	SPBO 11 1 V	SPBO 12 1 V	SPBO 13 1 V	SPBO 14 1 V	SPBO 15 1 V	SPBO 02 2 V	SPBO 04 2 V	SPBO 06 2 V	SPBO 08 2 V	SPBO 10 2 V	SPBO 12 2 V	SPBO 14 2 V	
Solar Collector	0308739(S)	X	X	X	X	X	X	X	X	X	X	X	X	X	X	X	X	X	X	X	X	X	X	X
Hydraulic Connections (between collectors)	0308753(S)		X	X	X	X	X	X	X	X	X	X	X	X	X	X		X	X	X	X	X	X	X
Hydraulic Connections (in- and outlet collectors)	0308754(S)	X	X	X	X	X	X	X	X	X	X	X	X	X	X	X								
Connection Set (in- and outlet collector)	0308758(S)	X	X	X	X	X	X	X	X	X	X	X	X	X	X	X								
Air Eliminator (short version)	0308755(S)	X	X	X	X	X	X	X	X	X	X	X	X	X	X	X	X	X	X	X	X	X	X	X
Mounting Set (between collectors)	0310250(S)	X	X	X	X	X	X	X	X	X	X	X	X	X	X	X	X	X	X	X	X	X	X	X
Mounting Set (between collectors and profile)	0310251(S)		X	X	X	X	X	X	X	X	X	X	X	X	X	X		X	X	X	X	X	X	X
Roofbracket Set	0308775(S)	X	X	X	X	X	X	X	X	X	X	X	X	X	X	X	X	X	X	X	X	X	X	X
Profile Set	0310256(S)	X	X	X	X	X	X	X	X	X	X	X	X	X	X	X	X	X	X	X	X	X	X	X
Stop Set Collector	0310255(S)	X	X	X	X	X	X	X	X	X	X	X	X	X	X	X		X	X	X	X	X	X	X
Mounting Set (between profile and roofbracket)	0310252(S)		X	X	X	X	X	X	X	X	X	X	X	X	X	X		X	X	X	X	X	X	X
Mounting Set (between stop and profile)	0310253(S)		X	X	X	X	X	X	X	X	X	X	X	X	X	X		X	X	X	X	X	X	X
Covering Plates	0308751(S)	X	X	X	X	X	X	X	X	X	X	X	X	X	X	X	X	X	X	X	X	X	X	X
	0308752(S)	X	X	X	X	X	X	X	X	X	X	X	X	X	X	X	X	X	X	X	X	X	X	X
	0308750(S)	X	X	X	X	X	X	X	X	X	X	X	X	X	X	X	X	X	X	X	X	X	X	X
	0309086(S)		X	X	X	X	X	X	X	X	X	X	X	X	X	X		X	X	X	X	X	X	X
Drain Back Tank (Basic)	0308782(S)	X	X	X	X	X	X	X	X	X	X	X	X	X	X	X	X	X	X	X	X	X	X	X
Drain Back Tank (Add-On)	0308784(S)			X	X	X	X	X	X	X	X	X	X	X	X	X	X	X	X	X	X	X	X	X
Mounting Set (drain back tank on profile)	n.a.	X	X	X	X	X	X	X	X	X	X	X	X	X	X	X	X	X	X	X	X	X	X	X
Hydraulic Connections (between drain backs)	0308792(S)			X	X	X	X	X	X	X	X	X	X	X	X	X		X	X	X	X	X	X	X
Conn Hose (between collector and drain back)	0308910(S)	X	X	X	X	X	X	X	X	X	X	X	X	X	X	X	X	X	X	X	X	X	X	X
Connection Set (drain back)	0308793(S)	X	X	X	X	X	X	X	X	X	X	X	X	X	X	X	X	X	X	X	X	X	X	X
Hydraulic Connections (final drain back)	0309055(S)	X	X	X	X	X	X	X	X	X	X	X	X	X	X	X	X	X	X	X	X	X	X	X
Hydraulic Connections (between rows)	0309042(S)																X	X	X	X	X	X	X	X
Cap Set Collectors	0308896(S)																X	X	X	X	X	X	X	X
Extra Hydraulische Aansluitklemmen	0308757(S)	X	X	X	X	X	X	X	X	X	X	X	X	X	X	X	X	X	X	X	X	X	X	X
Extra Montage Set (collectoren op profiel)	n.a.	X	X	X	X	X	X	X	X	X	X	X	X	X	X	X	X	X	X	X	X	X	X	X
Schroevendraaier en schroefbitje	n.a.	X	X	X	X	X	X	X	X	X	X	X	X	X	X	X	X	X	X	X	X	X	X	X
Extra Montage Set (tussen aanslag en profiel)	0310254(S)	X	X	X	X	X	X	X	X	X	X	X	X	X	X	X	X	X	X	X	X	X	X	X

# Collector parts

## Spare parts SPBI horizontal sets

Description	Art. no.	ROOF BUILD IN - SINGLE ROW - HORIZONTAL															ROOF BUILD IN - DOUBLE ROW - HORIZONTAL						
		SPBI 01 H	SPBI 02 H	SPBI 03 H	SPBI 04 H	SPBI 05 H	SPBI 06 H	SPBI 07 H	SPBI 08 H	SPBI 09 H	SPBI 10 H	SPBI 11 H	SPBI 12 H	SPBI 13 H	SPBI 14 H	SPBI 15 H	SPBI 02 2 H	SPBI 04 2 H	SPBI 06 2 H	SPBI 08 2 H	SPBI 10 2 H	SPBI 12 2 H	SPBI 14 2 H
Solar Collector	0308740(S)	X	X	X	X	X	X	X	X	X	X	X	X	X	X	X	X	X	X	X	X	X	X
Hydraulic Connections (between collectors)	0308753(S)		X	X	X	X	X	X	X	X	X	X	X	X	X	X		X	X	X	X	X	X
Hydraulic Connections (in- and outlet collectors)	0308754(S)	X	X	X	X	X	X	X	X	X	X	X	X	X	X	X							
Connection Set (in- and outlet collector)	0308758(S)	X	X	X	X	X	X	X	X	X	X	X	X	X	X	X							
Air Eliminator (short version)	0308756(S)	X	X	X	X	X	X	X	X	X	X	X	X	X	X	X	X	X	X	X	X	X	X
Mounting Set (between collectors)	n.a.	X	X	X	X	X	X	X	X	X	X	X	X	X	X	X	X	X	X	X	X	X	X
Covering plates	0310020(S)	X															X						
	0310021(S)		X					X							X			X				X	
	0310022(S)			X				X					X					X					X
	0310023(S)				X					X				X						X			
	0310024(S)					X					X				X						X		
0310025(S)						X	X	X	X	X	X	X	X	X	X						X	X	
Support Beam	0310138(S)	X	X	X	X	X	X	X	X	X	X	X	X	X	X	X		X	X	X	X	X	X
Conn. Hose (between collectors)	0310019(S)																X	X	X	X	X	X	X
Reducing Nipple	n.a.																X	X	X	X	X	X	X
Covering Plate (multiple row systems)	0310026(S)																X	X	X	X	X	X	X
Distance Plate (multiple row systems)	0310009(S)																X	X	X	X	X	X	X
Hydraulic Connections (spare)	0308757(S)	X	X	X	X	X	X	X	X	X	X	X	X	X	X	X	X	X	X	X	X	X	X
Mounting Set (spare)	n.a.	X	X	X	X	X	X	X	X	X	X	X	X	X	X	X	X	X	X	X	X	X	X
Screwdriver and Bids	n.a.	X	X	X	X	X	X	X	X	X	X	X	X	X	X	X	X	X	X	X	X	X	X

Description	Art. no.	ROOF BUILD IN WITH DRAIN BACK- SINGLE ROW - HORIZONTAL															ROOF BUILD IN WITH DRAIN BACK - DOUBLE ROW - HORIZONTAL						
		SPBI 01 1 DBH	SPBI 02 1 DBH	SPBI 03 1 DBH	SPBI 04 1 DBH	SPBI 05 1 DBH	SPBI 06 1 DBH	SPBI 07 1 DBH	SPBI 08 1 DBH	SPBI 09 1 DBH	SPBI 10 1 DBH	SPBI 11 1 DBH	SPBI 12 1 DBH	SPBI 13 1 DBH	SPBI 14 1 DBH	SPBI 15 1 DBH	SPBI 06 2 DBH	SPBI 08 2 DBH	SPBI 10 2 DBH	SPBI 12 2 DBH	SPBI 14 2 DBH		
Solar Collector	0308740(S)	X	X	X	X	X	X	X	X	X	X	X	X	X	X	X	X	X	X	X	X	X	X
Hydraulic Connections (between collectors)	0308753(S)		X	X	X	X	X	X	X	X	X	X	X	X	X	X	X	X	X	X	X	X	X
Hydraulic Connections (in- and outlet collectors)	0308754(S)	X	X	X	X	X	X	X	X	X	X	X	X	X	X	X							
Connection Set (in- and outlet collector)	0308758(S)	X	X	X	X	X	X	X	X	X	X	X	X	X	X	X	X	X	X	X	X	X	X
Air Eliminator (short version)	0308756(S)	X	X	X	X	X	X	X	X	X	X	X	X	X	X	X	X	X	X	X	X	X	X
Mounting Set (between collectors)	n.a.	X	X	X	X	X	X	X	X	X	X	X	X	X	X	X	X	X	X	X	X	X	X
Covering plates	0310027(S)	X																					
	0310028(S)		X				X				X				X						X		
	0310029(S)			X				X				X				X	X						X
	0310030(S)				X				X				X					X					
	0310031(S)					X				X				X						X			
0310032(S)						X	X	X	X	X	X	X	X	X	X					X		X	
Support Beam	0310138(S)	X	X	X	X	X	X	X	X	X	X	X	X	X	X	X	X	X	X	X	X	X	X
Drain Back Tank (Basic)	0308786(S)	X	X	X	X	X	X	X	X	X	X	X	X	X	X	X	X	X	X	X	X	X	X
Drain Back Tank (Add-On)	0308788(S)					X	X	X	X	X	X	X	X	X	X	X	X	X	X	X	X	X	X
Mounting Set (drain back tank on roof)	n.a.	X	X	X	X	X	X	X	X	X	X	X	X	X	X	X	X	X	X	X	X	X	X
Hydraulic Connections (between drain backs)	0308792(S)					X	X	X	X	X	X	X	X	X	X	X	X	X	X	X	X	X	X
Conn Hose (between collector and drain back)	0308910(S)	X	X	X	X	X	X	X	X	X	X	X	X	X	X	X	X	X	X	X	X	X	X
Connection Set (drain back)	0308794(S)	X	X	X	X	X	X	X	X	X	X	X	X	X	X	X	X	X	X	X	X	X	X
Hydraulic Connections (final drain back)	0309055(S)	X	X	X	X	X	X	X	X	X	X	X	X	X	X	X	X	X	X	X	X	X	X
Covering Plate (multiple row systems)	0310026(S)																X	X	X	X	X	X	X
Distance Plate (multiple row systems)	0310009(S)																X	X	X	X	X	X	X
Connection Set (drain back - multiple row systems)	0309042(S)																X	X	X	X	X	X	X
Hydraulic Connections (spare)	0308757(S)	X	X	X	X	X	X	X	X	X	X	X	X	X	X	X	X	X	X	X	X	X	X
Mounting Set (spare)	n.a.	X	X	X	X	X	X	X	X	X	X	X	X	X	X	X	X	X	X	X	X	X	X
Screwdriver and Bids	n.a.	X	X	X	X	X	X	X	X	X	X	X	X	X	X	X	X	X	X	X	X	X	X

Parts that are marked yellow are parts that are used for maintenance.

# Collector parts

## Spare parts SPBI vertical sets

Description	Art. no.	ROOF BUILD IN - SINGLE ROW - VERTICAL															ROOF BUILD IN - DOUBLE ROW - VERTICAL						
		SPBI 01 V	SPBI 02 V	SPBI 03 V	SPBI 04 V	SPBI 05 V	SPBI 06 V	SPBI 07 V	SPBI 08 V	SPBI 09 V	SPBI 10 V	SPBI 11 V	SPBI 12 V	SPBI 13 V	SPBI 14 V	SPBI 15 V	SPBI 02 V	SPBI 04 V	SPBI 06 V	SPBI 08 V	SPBI 10 V	SPBI 12 V	SPBI 14 V
Solar Collector	0308739(S)	X	X	X	X	X	X	X	X	X	X	X	X	X	X	X	X	X	X	X	X	X	X
Hydraulic Connections (between collectors)	0308753(S)		X	X	X	X	X	X	X	X	X	X	X	X	X	X		X	X	X	X	X	X
Hydraulic Connections (in- and outlet collectors)	0308754(S)	X	X	X	X	X	X	X	X	X	X	X	X	X	X	X							
Connection Set (in- and outlet collector)	0308758(S)	X	X	X	X	X	X	X	X	X	X	X	X	X	X	X							
Air Eliminator (short version)	0308756(S)	X	X	X	X	X	X	X	X	X	X	X	X	X	X	X	X	X	X	X	X	X	X
Mounting Set (between collectors)	n.a.	X	X	X	X	X	X	X	X	X	X	X	X	X	X	X	X	X	X	X	X	X	X
Covering plates	0308743(S)	X															X						
	0308744(S)		X					X				X						X					X
	0308745(S)			X				X			X				X				X				X
	0308746(S)				X				X				X						X				
	0308747(S)					X				X				X							X		
0308748(S)						X	X	X	X	X	X	X	X	X	X						X	X	
Support Beam	n.a.	X	X	X	X	X	X	X	X	X	X	X	X	X	X	X	X	X	X	X	X	X	X
Conn. Hose (between collectors)	0308759(S)																X	X	X	X	X	X	X
Reducing Nipple	n.a.																X	X	X	X	X	X	X
Covering Plate (multiple row systems)	0308749(S)																X	X	X	X	X	X	X
Distance Plate (multiple row systems)	0309086(S)																	X	X	X	X	X	X
Hydraulic Connections (spare)	0308757(S)	X	X	X	X	X	X	X	X	X	X	X	X	X	X	X	X	X	X	X	X	X	X
Mounting Set (spare)	n.a.	X	X	X	X	X	X	X	X	X	X	X	X	X	X	X	X	X	X	X	X	X	X
Screwdriver and Bids	n.a.	X	X	X	X	X	X	X	X	X	X	X	X	X	X	X	X	X	X	X	X	X	X

Description	Art. no.	ROOF BUILD IN WITH DRAIN BACK - SINGLE ROW - VERTICAL															ROOF BUILD IN WITH DRAIN BACK - SINGLE ROW - VERTICAL					
		SPBI 01 DBV	SPBI 02 DBV	SPBI 03 DBV	SPBI 04 DBV	SPBI 05 DBV	SPBI 06 DBV	SPBI 07 DBV	SPBI 08 DBV	SPBI 09 DBV	SPBI 10 DBV	SPBI 11 DBV	SPBI 12 DBV	SPBI 13 DBV	SPBI 14 DBV	SPBI 15 DBV	SPBI 06 2 DBV	SPBI 08 2 DBV	SPBI 10 2 DBV	SPBI 12 2 DBV	SPBI 14 2 DBV	
Solar Collector	0308739(S)	X	X	X	X	X	X	X	X	X	X	X	X	X	X	X	X	X	X	X	X	X
Hydraulic Connections (between collectors)	0308753(S)		X	X	X	X	X	X	X	X	X	X	X	X	X	X	X	X	X	X	X	X
Hydraulic Connections (in- and outlet collectors)	0308754(S)	X	X	X	X	X	X	X	X	X	X	X	X	X	X	X	X	X	X	X	X	X
Connection Set (in- and outlet collector)	0308758(S)	X	X	X	X	X	X	X	X	X	X	X	X	X	X	X	X	X	X	X	X	X
Air Eliminator (short version)	0308756(S)	X	X	X	X	X	X	X	X	X	X	X	X	X	X	X	X	X	X	X	X	X
Mounting Set (between collectors)	n.a.	X	X	X	X	X	X	X	X	X	X	X	X	X	X	X	X	X	X	X	X	X
Covering plates	0309036(S)	X																				
	0309037(S)		X				X				X				X						X	
	0309038(S)			X				X				X				X	X					X
	0309039(S)				X				X				X					X				
	0309040(S)					X				X				X					X			
0309041(S)						X	X	X	X	X	X	X	X	X	X					X	X	
Support Beam	n.a.	X	X	X	X	X	X	X	X	X	X	X	X	X	X	X	X	X	X	X	X	X
Drain Back Tank (Basic)	0308782(S)	X	X	X	X	X	X	X	X	X	X	X	X	X	X	X	X	X	X	X	X	X
Drain Back Tank (Add-On)	0308784(S)			X	X	X	X	X	X	X	X	X	X	X	X	X	X	X	X	X	X	X
Mounting Set (drain back tank on roof)	n.a.	X	X	X	X	X	X	X	X	X	X	X	X	X	X	X	X	X	X	X	X	X
Hydraulic Connections (between drain backs)	0308792(S)			X	X	X	X	X	X	X	X	X	X	X	X	X	X	X	X	X	X	X
Conn Hose (between collector and drain back)	0308910(S)	X	X	X	X	X	X	X	X	X	X	X	X	X	X	X	X	X	X	X	X	X
Connection Set (drain back)	0308793(S)	X	X	X	X	X	X	X	X	X	X	X	X	X	X	X	X	X	X	X	X	X
Hydraulic Connections (final drain back)	0309055(S)	X	X	X	X	X	X	X	X	X	X	X	X	X	X	X	X	X	X	X	X	X
Covering Plate (multiple row systems)	0308749(S)																X	X	X	X	X	X
Distance Plate (multiple row systems)	0309086(S)																X	X	X	X	X	X
Connection Set (drain back - multiple row systems)	0309042(S)																X	X	X	X	X	X
Hydraulic Connections (closing col. conn.)	0308896(S)																X	X	X	X	X	X
Hydraulic Connections (spare)	0308757(S)	X	X	X	X	X	X	X	X	X	X	X	X	X	X	X	X	X	X	X	X	X
Mounting Set (spare)	n.a.	X	X	X	X	X	X	X	X	X	X	X	X	X	X	X	X	X	X	X	X	X
Screwdriver and Bids	n.a.	X	X	X	X	X	X	X	X	X	X	X	X	X	X	X	X	X	X	X	X	X

Parts that are marked yellow are parts that are used for maintenance.





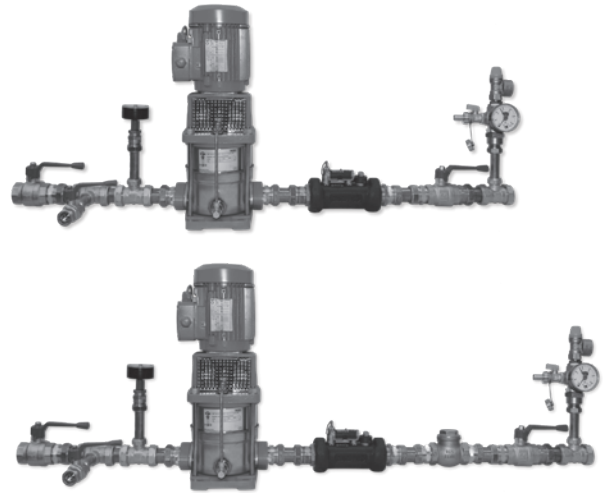




# Solar systems and parts

## Large pump stations

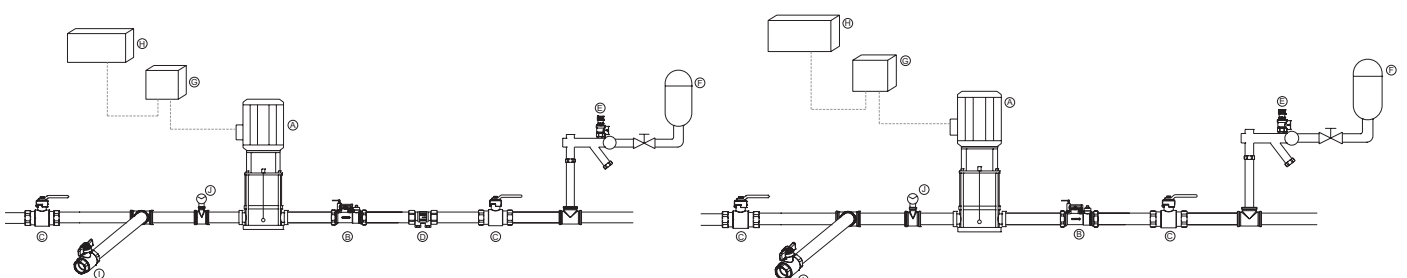
Art. No.	Drain back	SGE/SGS	IT/ITS
0309975	X		X
0309976			X
0309977	X	X	
0309978		X	
0309979	X		X
0309980			X
0309981	X	X	
0309982		X	
0309983	X		X
0309984			X
0309985	X	X	
0309986		X	
0309987	X		X
0309988			X
0309989	X	X	
0309990		X	
0309991	X		X
0309992			X
0309993	X	X	
0309994		X	



## Large pump station parts

No.	Description	Date	0309975	0309976	0309977	0309978	0309979	0309980	0309981	0309982	0309983	0309984
A	Solar pump		0309907(S)	0309907(S)	0309907(S)	0309907(S)	0309929(S)	0309929(S)	0309929(S)	0309929(S)	0309908(S)	0309908(S)
B	Solar flow meter		0309932(S)	0309932(S)	0309932(S)	0309932(S)	0309932(S)	0309932(S)	0309932(S)	0309932(S)	0309932(S)	0309932(S)
D	Non return valve		-	0309970(S)	-	0309970(S)	-	0309970(S)	-	0309970(S)	-	0309970(S)
E	Security group		0309957(S)	0309957(S)	0309957(S)	0309957(S)	0309957(S)	0309957(S)	0309957(S)	0309957(S)	0309957(S)	0309957(S)
G	Relay box solar pump		0309958(S)	0309958(S)	0309958(S)	0309958(S)	0309958(S)	0309958(S)	0309958(S)	0309958(S)	0309958(S)	0309958(S)
H	Control		0310209(S)	0310209(S)	0308874(S)	0308874(S)	0310209(S)	0310209(S)	0308874(S)	0308874(S)	0310209(S)	0310209(S)
J	Pressure gauge		0309996(S)	0309996(S)	0309996(S)	0309996(S)	0309996(S)	0309996(S)	0309996(S)	0309996(S)	0309996(S)	0309996(S)

No.	Description	Date	0309985	0309986	0309987	0309988	0309989	0309990	0309991	0309992	0309993	0309994
A	Solar pump		0309908(S)	0309908(S)	0309930(S)	0309930(S)	0309930(S)	0309930(S)	0309931(S)	0309931(S)	0309931(S)	0309931(S)
B	Solar flow meter		0309932(S)	0309932(S)	0309932(S)	0309932(S)	0309932(S)	0309932(S)	0309932(S)	0309932(S)	0309932(S)	0309932(S)
D	Non return valve		-	0309970(S)	-	0309970(S)	-	0309970(S)	-	0309970(S)	-	0309970(S)
E	Security group		0309957(S)	0309957(S)	0309957(S)	0309957(S)	0309957(S)	0309957(S)	0309957(S)	0309957(S)	0309957(S)	0309957(S)
G	Relay box solar pump		0309958(S)	0309958(S)	0309958(S)	0309958(S)	0309958(S)	0309958(S)	0309958(S)	0309958(S)	0309958(S)	0309958(S)
H	Control		0308874(S)	0308874(S)	0310209(S)	0310209(S)	0308874(S)	0308874(S)	0310209(S)	0310209(S)	0308874(S)	0308874(S)
J	Pressure gauge		0309996(S)	0309996(S)	0309996(S)	0309996(S)	0309996(S)	0309996(S)	0309996(S)	0309996(S)	0309996(S)	0309996(S)



Parts that are marked yellow are parts that are used for maintenance.

# Solar systems and parts

## Pump stations

1st generation		2nd generation		Application		
Art. No.	Untill	Art. No.	From	Drainback	SGE/SGS	IT/ITS
0308781	03-10-'11	0310191	04-10-'11	X	X	
0308783	14-03-'13	0310194	15-03-'13			X
0308785	01-07-'12	0310190	02-07-'12		X	
0308787	09-01-'11	0310192	10-01-'11	X	X	
0308801	06-10-'11	0310189	07-10-'11		X	
0308802	06-06-'11	0310193	07-06-'11			X
0309409	31-08-'11	0310195	01-09-'11	X		X
0309410	06-06-'11	0310196	07-06-'11	X		X

## Large pump station accessories

Description	Date	0309975	0309976	0309977	0309978	0309979	0309980	0309981	0309982	0309983	0309984
By pass set		0309998(S)	0309998(S)	0309998(S)	0309998(S)	0309998(S)	0309998(S)	0309998(S)	0309998(S)	0309998(S)	0309998(S)
Sela kit		n.a.	n.a.	n.a.	n.a.	n.a.	n.a.	n.a.	n.a.	n.a.	n.a.
O-ring solar (1 piece)		0309971(S)	0309971(S)	0309971(S)	0309971(S)	0309971(S)	0309971(S)	0309971(S)	0309971(S)	0309971(S)	0309971(S)

Description	Date	0309985	0309986	0309987	0309988	0309989	0309990	0309991	0309992	0309993	0309994
By pass set		0309998(S)	0309998(S)	0309998(S)	0309998(S)	0309998(S)	0309998(S)	0309998(S)	0309998(S)	0309998(S)	0309998(S)
Sela kit		n.a.	n.a.	n.a.	n.a.	n.a.	n.a.	n.a.	n.a.	n.a.	n.a.
O-ring solar (1 piece)		0309971(S)	0309971(S)	0309971(S)	0309971(S)	0309971(S)	0309971(S)	0309971(S)	0309971(S)	0309971(S)	0309971(S)

## Accessories 1st Generation

Description	0308781	0308783	0308785	0308787	0308801	0308802	0309409	0309410
	Art. No.	Art. No.	Art. No.	Art. No.	Art. No.	Art. No.	Art. No.	Art. No.
Smart display	-	0309701(S)	-	-	-	0309701(S)	0309701(S)	0309701(S)
Boost pump	0309005(S)	0309005(S)	0309005(S)	0309005(S)	0309005(S)	0309005(S)	0309005(S)	0309005(S)
Output sensor (28mm)	-	-	-	-	-	0309703(S)	0309703(S)	0309703(S)

## Accessories 2nd Generation

Description	0310189	0310190	0310191	0310192	0310193	0310194	0310195	0310196
	Art. No.	Art. No.	Art. No.	Art. No.	Art. No.	Art. No.	Art. No.	Art. No.
Smart Display	-	-	-	-	0309701(S)	0309701(S)	0309701(S)	0309701(S)
Alarm Output	-	-	-	-	0310056(S)	0310056(S)	0310056(S)	0310056(S)
V-Bus to USB	-	-	-	-	0310262(S)	0310262(S)	0310262(S)	0310262(S)
Boost pump	0309005(S)	0309005(S)	0309005(S)	0309005(S)	0309005(S)	0309005(S)	0309005(S)	0309005(S)
Q/T-sensor (28 mm)	-	-	-	-	0309703(S)	0309703(S)	0309703(S)	0309703(S)

## Accessories 3rd Generation

Description	0311691	0311589	0311590	0311591	0311692	03111593	0311594	0311595
	Art. no.	Art. no.	Art. no.	Art. no.	Art. no.	Art. no.	Art. no.	Art. no.
Display			-	-	0309701(S)	0309701(S)	0309701(S)	0309701(S)
Alarm Output			-	-	0310056(S)	0310056(S)	0310056(S)	0310056(S)
Pulse Generator			-	-	0310057(S)	0310057(S)	0310057(S)	0310057(S)
Communication Converter (V-Bus to USB)			-	-	0310262(S)	0310262(S)	0310262(S)	0310262(S)
Sensor Heat Measurement			-	-	0309703(S)	0309703(S)	0309703(S)	0309703(S)

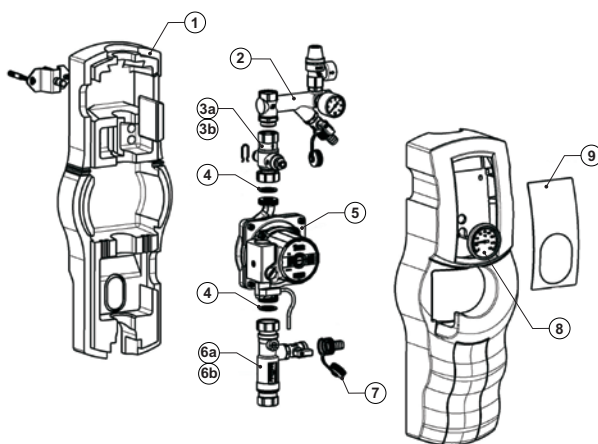
Parts that are marked yellow are parts that are used for maintenance.

# Solar systems and parts

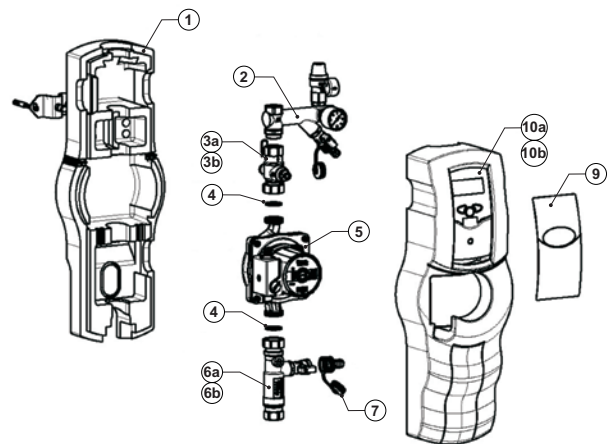
## Parts 1st Generation

No.	Description	0308781		0308783		0308785		0308787	
		Untill	Art. No.	Untill	Art. No.	Untill	Art. No.	Untill	Art. No.
1	Insulation	03-10-'11	0308999(S)	14-03-'13	0308999(S)	15-04-'13	0308999(S)	08-01-'12	0308999(S)
2	Security group	03-10-'11	0309000(S)	14-03-'13	0309000(S)	15-04-'13	0309000(S)	08-01-'12	0309000(S)
3a	Return valve	-	-	-	0309001(S)	15-04-'13	0309001(S)	-	-
3b		03-10-'11	0309002(S)	14-03-'13	-	-	-	08-01-'12	0309002(S)
4	<b>Gasket pump</b>	03-10-'11	0309004(S)	14-03-'13	0309004(S)	15-04-'13	0309004(S)	08-01-'12	0309004(S)
5	Pump	-	-	-	0309005(S)	-	-	-	-
5	Pump	03-10-'11	0309090(S)	14-03-'13	-	15-04-'13	0309090(S)	08-01-'12	0309090(S)
6a	Flowmeter	03-10-'11	0309006(S)	14-03-'13	-	-	-	-	-
6b		-	-	-	0309007(S)	15-04-'13	0309007(S)	08-01-'12	0309007(S)
7	Hose connector with gasket	03-10-'11	0309008(S)	14-03-'13	0309008(S)	15-04-'13	0309008(S)	08-01-'12	0309008(S)
8	Thermometer	03-10-'11	0309003(S)	14-03-'13	-	15-04-'13	0309003(S)	08-01-'12	0309003(S)
9	Front panel	03-10-'11	0309009(S)	14-03-'13	0309009(S)	15-04-'13	0309009(S)	08-01-'12	0309009(S)
10a	Control	-	-	14-03-'13	0309010(S)	-	-	-	-
10b		-	-	-	-	-	-	-	-
-	Tank sensor	-	-	14-03-'13	0309688(S)	-	-	-	-
-	Immersion sleeves	-	-	14-03-'13	0309690(S)	-	-	-	-
-	Reducing nipple	-	-	14-03-'13	0070066002(S)	-	-	-	-
-	Collector sensor	-	-	14-03-'13	0309689(S)	-	-	-	-

No.	Description	0308801		0308802		0309409		0309410	
		Before	Art. No.	Before	Art. No.	Before	Art. No.	Before	Art. No.
1	Insulation	06-10-'11	0308999(S)	16-10-'11	0308999(S)	31-08-'11	0308999(S)	14-12-'11	0308999(S)
2	Security group	06-10-'11	0309000(S)	16-10-'11	0309000(S)	31-08-'11	0309000(S)	14-12-'11	0309000(S)
3a	Return valve	06-10-'11	0309001(S)	16-10-'11	0309001(S)	-	-	14-12-'11	0309001(S)
3b		-	-	-	-	-	-	-	-
4	<b>Gasket pump</b>	06-10-'11	0309004(S)	16-10-'11	0309004(S)	31-08-'11	0309004(S)	14-12-'11	0309004(S)
5	Pump	-	-	16-10-'11	0309005(S)	31-08-'11	0309005(S)	14-12-'11	0309005(S)
5	Pump	06-10-'11	0309090(S)	-	-	-	-	-	-
6a	Flowmeter	06-10-'11	0309006(S)	16-10-'11	0309006(S)	31-08-'11	0309006(S)	-	-
6b		-	-	-	-	-	-	14-12-'11	0309007(S)
7	Hose connector with gasket	06-10-'11	0309008(S)	16-10-'11	0309008(S)	31-08-'11	0309008(S)	14-12-'11	0309008(S)
8	Thermometer	06-10-'11	0309003(S)	-	-	-	-	-	-
9	Front panel	06-10-'11	0309009(S)	16-10-'11	0309009(S)	31-08-'11	0309009(S)	14-12-'11	0309009(S)
10a	Control	-	-	16-10-'11	0309010(S)	-	-	-	-
10b		-	-	-	-	31-08-'11	n.a.	14-12-'11	n.a.
-	Tank sensor	-	-	16-10-'11	0309688(S)	31-08-'11	0309688(S)	14-12-'11	0309688(S)
-	Immersion sleeves	-	-	16-10-'11	0309690(S)	31-08-'11	0309690(S)	14-12-'11	0309690(S)
-	Reducing nipple	-	-	16-10-'11	0070066002(S)	31-08-'11	0070066002(S)	14-12-'11	0070066002(S)
-	Collector sensor	-	-	16-10-'11	0309689(S)	31-08-'11	0309689(S)	14-12-'11	0309689(S)



**EVD-0058**



**EVD-0059**

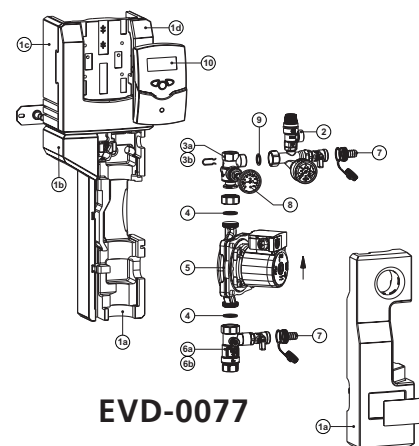
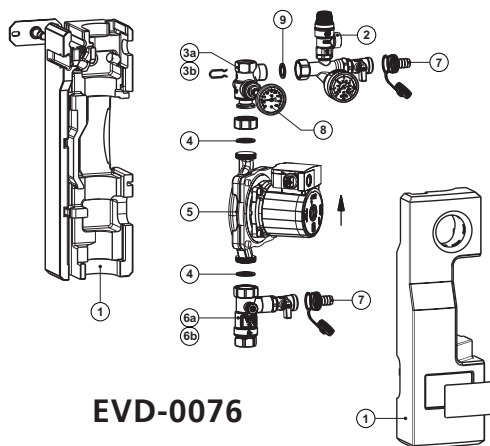
Parts that are marked yellow are parts that are used for maintenance.

# Solar systems and parts

## Parts 2nd Generation

No.	Description	0310189		0310190		0310191		0310192	
		From	Art. No.	From	Art. No.	From	Art. No.	From	Art. No.
1	Insulation pump station	07-10-'11	0310198(S)	16-04-'13	0310198(S)	04-10-'11	0310198(S)	09-01-'12	0310198(S)
1b	Insulation control	-	-	-	-	-	-	-	-
1c	Insulation front control	-	-	-	-	-	-	-	-
1d	Insulation additional piece	-	-	-	-	-	-	-	-
2	Security group	07-10-'11	0310202(S)	16-04-'13	0310202(S)	04-10-'11	0310202(S)	09-01-'12	0310202(S)
3a	Return valve	07-10-'11	0310204(S)	16-04-'13	0310204(S)	-	-	-	-
3b	-	-	-	-	-	04-10-'11	0310205(S)	09-01-'12	0310205(S)
4	<b>Gasket pump</b>	07-10-'11	0309004(S)	16-04-'13	0309004(S)	04-10-'11	0309004(S)	09-01-'12	0309004(S)
5	Pump	-	-	-	-	-	-	-	-
6a	Flowmeter	07-10-'11	0309090(S)	16-04-'13	0309090(S)	04-10-'11	0309090(S)	09-01-'12	0309090(S)
6b	-	07-10-'11	0310206(S)	16-04-'13	-	04-10-'11	0310206(S)	-	-
7	Hose connector with gasket	07-10-'11	0309008(S)	16-04-'13	0309008(S)	04-10-'11	0309008(S)	09-01-'12	0309008(S)
8	Thermometer	07-10-'11	0310208(S)	16-04-'13	0310208(S)	04-10-'11	0310208(S)	09-01-'12	0310208(S)
9	Gasket security group	07-10-'11	0310203(S)	16-04-'13	0310203(S)	04-10-'11	0310203(S)	09-01-'12	0310203(S)
10	Control	-	-	-	-	-	-	-	-
-	Tank sensor	-	-	-	-	-	-	-	-
-	Immersion sleeves	-	-	-	-	-	-	-	-
-	Reducing nipple	-	-	-	-	-	-	-	-
-	Collector sensor	-	-	-	-	-	-	-	-

No.	Description	0310193		0310194		0310195		0310196	
		After	Art. No.	After	Art. No.	After	Art. No.	After	Art. No.
1	Insulation pump station	17-10-'11	0310198(S)	15-03-'13	0310198(S)	01-09-'11	0310198(S)	15-12-'11	0310198(S)
1b	Insulation control	17-10-'11	0310199(S)	15-03-'13	0310199(S)	01-09-'11	0310199(S)	15-12-'11	0310199(S)
1c	Insulation front control	17-10-'11	0310200(S)	15-03-'13	0310200(S)	01-09-'11	0310200(S)	15-12-'11	0310200(S)
1d	Insulation additional piece	17-10-'11	0310201(S)	15-03-'13	0310201(S)	01-09-'11	0310201(S)	15-12-'11	0310201(S)
2	Security group	17-10-'11	0310202(S)	15-03-'13	0310202(S)	01-09-'11	0310202(S)	15-12-'11	0310202(S)
3a	Return valve	17-10-'11	0310204(S)	15-03-'13	0310204(S)	-	-	-	-
3b	-	-	-	-	-	01-09-'11	0310205(S)	15-12-'11	0310205(S)
4	<b>Gasket pump</b>	17-10-'11	0309004(S)	15-03-'13	0309004(S)	01-09-'11	0309004(S)	15-12-'11	0309004(S)
5	Pump	17-10-'11	0309005(S)	15-03-'13	0309005(S)	01-09-'11	0309005(S)	15-12-'11	0309005(S)
6a	Flowmeter	17-10-'11	0310206(S)	-	-	01-09-'11	0310206(S)	-	-
6b	-	-	-	15-03-'13	0310207(S)	-	-	15-12-'11	0310207(S)
7	Hose connector with gasket	17-10-'11	0309008(S)	15-03-'13	0309008(S)	01-09-'11	0309008(S)	15-12-'11	0309008(S)
8	Thermometer	17-10-'11	0310208(S)	15-03-'13	0310208(S)	01-09-'11	0310208(S)	15-12-'11	0310208(S)
9	Gasket security group	17-10-'11	0310203(S)	15-03-'13	0310203(S)	01-09-'11	0310203(S)	15-12-'11	0310203(S)
10	Control	17-10-'11	0310209(S)	15-03-'13	0310209(S)	01-09-'11	0310209(S)	15-12-'11	0310209(S)
-	Tank sensor	17-10-'11	0309688(S)	15-03-'13	0309688(S)	01-09-'11	0309688(S)	15-12-'11	0309688(S)
-	Immersion sleeves	17-10-'11	0309690(S)	15-03-'13	0309690(S)	01-09-'11	0309690(S)	15-12-'11	0309690(S)
-	Reducing nipple	17-10-'11	0070066002(S)	15-03-'13	0070066002(S)	01-09-'11	0070066002(S)	15-12-'11	0070066002(S)
-	Collector sensor	17-10-'11	0309689(S)	15-03-'13	0309689(S)	01-09-'11	0309689(S)	15-12-'11	0309689(S)



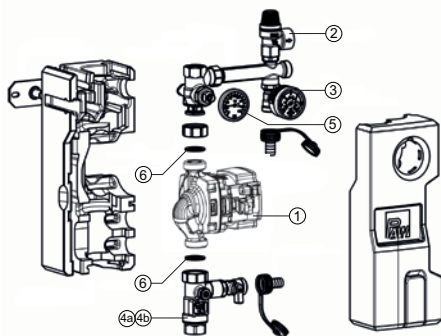
Parts that are marked yellow are parts that are used for maintenance.

# Solar systems and parts

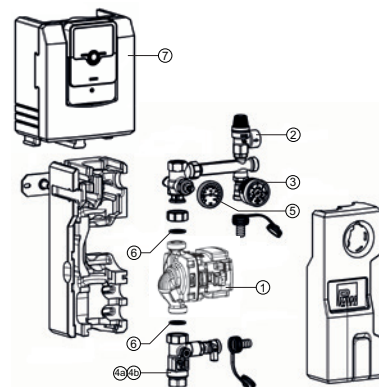
## Parts 3rd Generation

No.	Description	0311691		0311589		0311590		0311591	
		Depuis	Art. no.	Depuis	Art. no.	Depuis	Art. no.	Depuis	Art. no.
1	Pump Grundfoss	27-07-'15	0311587(S)	27-07-'15	0311587(S)	27-07-'15	0311587(S)	27-07-'15	0311587(S)
2	Safety Relief Valve		0338045(S)						
3	Pressure Gauge		0338046(S)		0338046(S)		0338046(S)		0338046(S)
4a	Flowmeter	0,5...15 l/min	0310206(S)		-	27-07-'15	0310206(S)		-
4b		4...22 l/min	-		27-07-'15	0310207(S)	-		27-07-'15
5	Thermometer	27-07-'15	0310208(S)	27-07-'15	0310208(S)	27-07-'15	0310208(S)	27-07-'15	0310208(S)
6	Gasket Pump	27-07-'15	0309004(S)	27-07-'15	0309004(S)	27-07-'15	0309004(S)	27-07-'15	0309004(S)
7	Gasket Security Group	27-07-'15	0310203(S)	27-07-'15	0310203(S)	27-07-'15	0310203(S)	27-07-'15	0310203(S)
8	Control		-		0338045(S)		0338045(S)		0338045(S)
-	Fuse		-		-		-		-
-	Tank Sensor		-		-		-		-
-	Immersion Sleeves		-		-		-		-
-	Reduction Nipple		-		-		-		-
-	Collector sensor		-		-		-		-

No.	Description	0311692		0311593		0311594		0311595	
		Depuis	Art. no.	Depuis	Art. no.	Depuis	Art. no.	Depuis	Art. no.
1	Pump Grundfoss		0311587(S)	27-07-'15	0311587(S)	27-07-'15	0311587(S)	27-07-'15	0311587(S)
2	Safety Relief Valve		0338045(S)		0338045(S)		0338045(S)		0338045(S)
3	Pressure Gauge		0338046(S)		0338046(S)		0338046(S)		0338046(S)
4a	Flowmeter	0,5...15 l/min	0310206(S)		-	27-07-'15	0310206(S)		-
4b		4...22 l/min	-		27-07-'15	0310207(S)	-		27-07-'15
5	Thermometer		0310208(S)	27-07-'15	0310208(S)	27-07-'15	0310208(S)	27-07-'15	0310208(S)
6	Gasket Pump		0309004(S)	27-07-'15	0309004(S)	27-07-'15	0309004(S)	27-07-'15	0309004(S)
7	Gasket Security Group		0310203(S)	27-07-'15	0310203(S)	27-07-'15	0310203(S)	27-07-'15	0310203(S)
8	Control		0311582(S)	27-07-'15	0311582(S)	27-07-'15	0311582(S)	27-07-'15	0311582(S)
-	Fuse		0311493(S)	27-07-'15	0311493(S)	27-07-'15	0311493(S)	27-07-'15	0311493(S)
-	Tank Sensor		0309688(S)	27-07-'15	0309688(S)	27-07-'15	0309688(S)	27-07-'15	0309688(S)
-	Immersion Sleeves		0309690(S)	27-07-'15	0309690(S)	27-07-'15	0309690(S)	27-07-'15	0309690(S)
-	Reduction Nipple		0070066002(S)	27-07-'15	0070066002(S)	27-07-'15	0070066002(S)	27-07-'15	0070066002(S)
-	Collector sensor		0309689(S)	27-07-'15	0309689(S)	27-07-'15	0309689(S)	27-07-'15	0309689(S)



EVD-0122




EVD-0123


Parts that are marked yellow are parts that are used for maintenance.



# Solar systems and parts




OUTPUT SENSOR		
Art. No.	Connection	
0309691(S)	22 mm soldeer	
0309703(S)	28 mm soldeer	




GLYCOL		
Art. No.	Litres	
0308803	10	

\* Corrosion inhibiting and anti-frost agent Tyfocor L®  
 \* Packaging of 10litres in 40% mixed solution




EXPANSION VASSEL			
Art. No.	Litres	Collectors*	
0308875	25	1-4	
0308876	35	5-6	
0308877	50	7-11	
0308878	80	12-15	


\* The expansion vessel is based on the number of collectors.  
 For more information please contact the Technical Support Group.



QT SENSOR	
Art. No.	
0309285(S)	




SMART DISPLAY	
Art. No.	
0309701(S)	



INSULATION MATERIAL		
Art. No.	Connection	
0309933(S)	Ø 22mm x 2m	
0309934(S)	Ø 28mm x 2m	

\* Vogelbestendig, geschikt voor buiten



T&P VALVE		
Art. No.	Connection	
0076527004(S)	¾" / 10 bar	
0099383005(S)	1" / 10 bar	

Description	CONNECTIONS									
	IT/ITS									
	300	400	500	600	750	1000	1500	2000	2500	3000
Reducing Nipple 2 x 2" BSP female	-	0309082(S)	-	-	-	0309082(S)	-	-	-	-
Reducing Nipple 2 1/2 x 2 1/2" BSP female	-	-	-	0309031(S)	-	-	-	-	-	-
Reducing Nipple Set 2" BSp F x R 1" M	-	0309083(S)	-	-	-	0309083(S)	-	-	-	-
Reducing Nipple Set 2" BSp F x R 1 1/2" M	-	0309084(S)	-	-	-	0309084(S)	-	-	-	-
Reducing Nipple Set 2 1/2" BSp F x R 1" M	-	-	-	0309032(S)	-	-	-	-	-	-
Reducing Nipple Set 2 1/2" BSp F x R 1" M	-	-	-	0309033(S)	-	-	-	-	-	-
Reducing Nipple Set 2 1/2" BSp F x R 1 1/2" M	-	-	-	n.a.	-	-	-	-	-	-



For detailed technical information about the appliances, please refer to  
[www.aosmith.co.uk](http://www.aosmith.co.uk) or send us an email at [sales@aosmith.co.uk](mailto:sales@aosmith.co.uk)  
You can reach us at 01252 551 540.

**DISCLAIMER**

Although the contents of this Maintenance & Accessories brochure have been prepared with the greatest care, A.O. Smith can accept no liability whatsoever for any direct or indirect damages of any kind that may arise due to either errors or omissions in this brochure, or amendments to product or other specifications following publication.

Data subject to change UK/0724/PL/38

**A.O. Smith Water Heaters**

Unit 7 & 8 Armstrong Mall  
Southwood Business Park  
Farnborough Hampshire  
GU14 0NR UK

T : 01252 551 540  
[sales@aosmith.co.uk](mailto:sales@aosmith.co.uk)  
[www.aosmith.co.uk](http://www.aosmith.co.uk)

**A.O. Smith Europe**

De Run 5305,  
PO Box 70  
5500 AB Veldhoven  
The Netherlands