

# DRE PLUS

Electric Commercial Water Heater

Electrische Commerciele Boiler

Chauffe-eau Tertiaire Électrique

**DRE PLUS 52/80**

Installation, User and Service Manual

Installatie-, Gebruikers- en Servicehandleiding

Manuel d'installation, d'utilisation et d'entretien





Data is subject to change / Gegevens onderhevig aan verandering / Données sujettes à révision

**A.O. Smith Europe**

De Run 5305  
PO Box 70  
5500 AB Veldhoven  
The Netherlands

T : +31 (0)40 294 2500  
info@aosmith.com  
www.aosmithinternational.com



## English

	Preface.....	3
	About this manual.....	7
	<b>User part.....</b>	<b>13</b>
1	Introduction.....	15
2	Safety.....	17
3	Interface.....	19
4	Use.....	23
	<b>Installation, Maintenance and Service part.....</b>	<b>25</b>
5	Introduction.....	27
6	Safety.....	29
7	Water heater.....	35
8	Installation.....	37
9	Settings.....	47
10	Maintenance.....	63
11	Troubleshooting.....	67
12	Warranty.....	71
	Index.....	73

## Nederlands

	Voorwoord.....	75
	Informatie over deze handleiding.....	79
	<b>Gedeelte voor de gebruiker.....</b>	<b>85</b>
1	Inleiding.....	87
2	Veiligheid.....	89
3	Bedieningspaneel.....	91
4	Gebruik.....	95
	<b>Gedeelte over de installatie en het onderhoud... 97</b>	
5	Inleiding.....	99
6	Veiligheid.....	101
7	Boiler.....	107
8	Installatie.....	109
9	Instellingen.....	119
10	Onderhoud.....	135
11	Storingen.....	139
12	Garantie.....	143
	Index.....	145

## Français

	Préface.....	147
	À propos de ce manuel.....	151
	<b>Partie Utilisateur.....</b>	<b>157</b>

<b>1</b>	<b>Introduction.....</b>	<b>159</b>
<b>2</b>	<b>Sécurité.....</b>	<b>161</b>
<b>3</b>	<b>Interface.....</b>	<b>163</b>
<b>4</b>	<b>Utilisation.....</b>	<b>169</b>
	<b>Partie Installation et entretien.....</b>	<b>171</b>
<b>5</b>	<b>Introduction.....</b>	<b>173</b>
<b>6</b>	<b>Sécurité.....</b>	<b>175</b>
<b>7</b>	<b>Chauffe-eau.....</b>	<b>181</b>
<b>8</b>	<b>Installation.....</b>	<b>183</b>
<b>9</b>	<b>Paramètres.....</b>	<b>193</b>
<b>10</b>	<b>Entretien.....</b>	<b>209</b>
<b>11</b>	<b>Pannes.....</b>	<b>213</b>
<b>12</b>	<b>Garantie.....</b>	<b>217</b>
	<b>Index.....</b>	<b>219</b>

## **Common appendices/Algemene bijlagen/ Annexes communes**

<b>A</b>	<b>Common appendices/Algemene bijlagen/Annexes communes...</b>	<b>i</b>
----------	--	----------

# Preface

## Copyright

Copyright © 2024 A.O. Smith Water Products Company

All rights reserved.

Nothing from this publication may be copied, reproduced and/or published by means of printing, photocopying or by whatsoever means, without the prior written approval of A.O. Smith Water Products Company.

A.O. Smith Water Products Company reserves the right to modify specifications in this manual.

## Trademarks

Brand names in this manual are registered trademarks of their respective owners.

## Warranty

Refer to the appendix [Warranty](#) (see 12) for the warranty provisions.

## Liability

### User

A.O. Smith accepts no liability when the water heater is not used correctly and requires the user to:

- Read this manual carefully and obey the instructions.
- Ask your installation engineer for advise about the use of the water heater.
- Make sure that the service and maintenance activities are done by a qualified engineer.
- Store the manual, in good condition, near the water heater.

### Installation engineer

A.O. Smith accepts no liability when the water heater is not used correctly and requires the installation engineer to:

- Read this manual carefully and obey the instructions.
- Make sure that the entire water heater installation complies with the applicable [regulations](#) (on page 4).
- Make sure that the water heater is tested before the installation is taken into use.
- Explain the correct use to the user.
- Notify the user when service and maintenance activities are necessary.
- Make sure that you hand over all applicable manuals.

## Supplier

The DRE PLUS water heater is designed in accordance with the applicable regulations. The water heater is delivered with compliance-marking and all necessary documentation to obey these regulations. See the compliance section.

A.O. Smith accepts no liability for claims from third parties when:

- The instructions for the correct installation of the water heater are not obeyed.
- The instructions for the correct use of the water heater are not obeyed.
- The water heater did not have maintenance on the correct maintenance interval.

For more information, refer to the General Terms of Sales. These are available on request, free of charge.

We believe that this manual provides you with accurate and complete descriptions of all relevant components. If you, nonetheless find errors or inaccuracies in this manual, please inform A.O. Smith. This helps us to further improve our documentation.

## Compliance

To safely produce domestic hot water, the design and construction of the DRE PLUS water heaters is in accordance with:

- CE
  - the European Directive 2014/35/EU on low voltage appliances (LVD)
  - the European Directive 2014/30/EU on Electromagnetic Compatibility (EMC)
  - the European Directives 2011/65/EU and 2015/863/EU on RoHS II and RoHS III
  - the European Directive 2009/125/EC on Ecological Design (ErP)
- UKCA
  - the Electrical Equipment (Safety) Regulations 2016 (UK SI 2016 No. 1101)
  - the Electromagnetic Compatibility Regulations 2016 (UK SI 2016 No. 1091)
  - the RoHS regulations 2012 (UK SI 2012 No. 3032)
  - the Ecodesign for Energy-Related Products Regulation 2010 (UK SI 2010 No. 2617)

Refer to the appendix Declaration of conformity.

## Regulations

The installation of the equipment MUST be in accordance with the relevant requirements of the Building Regulations, I.E.E. Regulations and the bylaws of the local water board.

In addition, the installation should follow the relevant guidance offered in the following documents. It is not practical to list all relevant information due to continuous changes but emphasis is placed on the following documents, as failure to comply with the guidance given will almost certainly result in an unsatisfactory installation:

- British Standards (BS), especially:
  - BS 6700: 1997 - Design, installation, testing and maintenance of services supplying water for domestic use with buildings and their curtilages
  - BS 67074: 1989 Part 1 and 2 - Application, selection and installation of expansion vessels and ancillary equipment for sealed systems
  - BS 7671: 2008 - Requirements for electrical installations, I.E.E. wiring regulations seventeenth edition
  - CP 342: Part 2 1974 - Code of practice for centralized hot water supply-buildings other than dwellings
- CIBSE Guides
- Clean Air Act
- H.S.E Guidance




---

### Note

Manufacturer's notes must not be taken in any way as overriding statutory obligations.

---

If the DRE PLUS water heater is to be used in an unvented system installation, the system should follow the guidance given in BS 6700, BS 8558 and must comply with the Building Regulations 1992: Part G3, in England and Wales, P5 in Northern Ireland and P3 in

Scotland and the Water Supply (Water Fittings) Regulations 1999, The Water Supply (Water Quality) Regulations (Northern Ireland) 2017 and the Public Water Supplies (Scotland) Amendment Regulations 2017.

A kit of parts is available from A.O. Smith.

EN

## Contact information

If you have any comments or questions, please contact:

A.O. Smith Water Products Company

Address: PO Box 70  
5500 AB Veldhoven  
The Netherlands  
Telephone: +31 (0) 40 294 25 00  
E-mail: [info@aosmith.com](mailto:info@aosmith.com)  
Website: [www.aosmithinternational.com](http://www.aosmithinternational.com)

In the event of problems with your electricity or water supply connections, please contact your (energy/water) supplier.



# About this manual

## Scope

This manual gives information about safe and correct use of the water heater and how installation, maintenance and service activities have to be done correctly. You must obey the instructions in this manual.



---

### Caution

Read this manual carefully before you start the water heater. It can cause personal injury and damage to the water heater when you do not read the manual and/or do not obey the instructions.

---

The purpose of this manual is to:

- describe the working principles and layout of the water heater
- explain the safety devices
- highlight possible hazards
- describe the use of the water heater
- describe the installation, service and maintenance of the water heater

This manual has two parts:

- An User part that describes the correct usage of the water heater.
- An Installation, Maintenance and Service part, that describes the correct installation and maintenance procedures.

## Target group

The information in this manual applies to three target groups:

- users
- installation engineers
- service and maintenance engineers

The User part is intended for the (end) users. The Installation, Maintenance and Service part is intended for the installation engineers and the service and maintenance engineers.

## Notation conventions

This manual uses the following text conventions:

- Numbers between parentheses e.g. (1), refer to elements in a figure that are described by the text.
- Cross-references to sections, tables, figures etc. are underlined and written as (see "..."). In the digital version, the cross-references function as hyperlinks that can be used to navigate through the manual by clicking on them. Example: Safety (see 2).

This manual contains the following text styles/symbols for situations that may endanger users/engineers, cause damage to equipment or need special attention:



---

### Note

A note gives more information on a topic.

---



---

**Caution**  
Obey the caution instructions to prevent damage of the water heater.

---



---

**Warning**  
Obey the warning instructions to prevent danger of personal injury, and serious damage to the water heater.

---

## Document identification

Article number	Language	Version
0313853	EN	4.0

# Table of Contents

- Preface..... 3**
  - Copyright..... 3
  - Trademarks..... 3
  - Warranty..... 3
  - Liability..... 3
  - Compliance..... 4
  - Regulations..... 4
  - Contact information..... 6
  
- About this manual..... 7**
  - Scope..... 7
  - Target group..... 7
  - Notation conventions..... 7
  - Document identification..... 8
  
- User part..... 13**
- 1 Introduction..... 15**
- 2 Safety..... 17**
- 3 Interface..... 19**
  - 3.1 Operator interface..... 19
    - 3.1.1 Display..... 19
    - 3.1.2 Display buttons..... 20
  - 3.2 Status of the water heater..... 21
    - 3.2.1 Operating modes..... 21
    - 3.2.2 Error conditions..... 22
- 4 Use..... 23**
  - 4.1 Turn on the water heater..... 23
    - 4.1.1 Set the water temperature..... 23
  - 4.2 Turn off the water heater..... 24
    - 4.2.1 Turn off for a short period..... 24

4.2.2 Turn off for a long period..... 24

**Installation, Maintenance and Service part..... 25**

**5 Introduction..... 27**

5.1 About the water heater..... 27

5.2 Working principle..... 27

**6 Safety..... 29**

6.1 Safety instructions..... 29

6.2 Instructions on the water heater..... 30

6.3 Safety devices..... 31

6.4 Environmental aspects..... 33

6.4.1 Recycling..... 33

6.4.2 Disposal..... 33

**7 Water heater..... 35**

7.1 Structure of the water heater..... 35

**8 Installation..... 37**

8.1 Packaging..... 37

8.2 Conditions..... 37

8.2.1 Ambient conditions..... 37

8.2.2 Maximum floor load..... 37

8.2.3 Water composition..... 38

8.2.4 Working clearances..... 38

8.3 Installation diagram..... 39

8.4 Water connections..... 39

8.4.1 Cold water connection..... 39

8.4.2 Hot water connection..... 40

8.4.3 Circulation connection..... 40

8.5 Electrical connections..... 40

8.5.1 Preparation..... 41

8.5.2 Mains power..... 42

8.5.3 Alarm output..... 42

8.5.4 External ON/OFF..... 43

8.5.5 Finalization..... 44

8.6 Commissioning..... 44

8.6.1 Filling..... 44

8.6.2 Turn on the water heater..... 44

8.7 Decommissioning..... 45

- 8.7.1 Turn off the water heater..... 45
- 8.7.2 Draining..... 45
- 9 Settings..... 47**
  - 9.1 Display..... 47
  - 9.2 Temperatures..... 48
    - 9.2.1 Setpoint..... 48
    - 9.2.2 Hysteresis..... 48
    - 9.2.3 Tank sensor offset..... 50
  - 9.3 Appliance Status..... 50
  - 9.4 Economy Mode..... 51
    - 9.4.1 Setpoint adjustment..... 52
    - 9.4.2 Set the time and day..... 53
    - 9.4.3 Economy mode schedule..... 54
  - 9.5 Alarm output setup..... 55
    - 9.5.1 Set the alarm output function..... 56
    - 9.5.2 Alarm setpoint..... 56
  - 9.6 Display settings..... 57
    - 9.6.1 Set the unit of temperature..... 57
    - 9.6.2 Set the display brightness..... 58
    - 9.6.3 Set the backlight delay..... 58
    - 9.6.4 Set the language..... 59
  - 9.7 Appliance information..... 59
  - 9.8 Error history..... 60
  - 9.9 Error occurrence..... 61
  - 9.10 Restore default..... 61
- 10 Maintenance..... 63**
  - 10.1 Preparation..... 63
  - 10.2 Water-side maintenance..... 63
    - 10.2.1 Inspect the anode..... 63
    - 10.2.2 Descale the tank..... 64
  - 10.3 Performance check..... 65
  - 10.4 Finalization..... 66
- 11 Troubleshooting..... 67**
  - 11.1 Errors and warnings..... 67
    - 11.1.1 General errors..... 67
    - 11.1.2 Displayed errors..... 68
    - 11.1.3 Warnings..... 70

**12 Warranty..... 71**  
**Index..... 73**

# User part





# 1

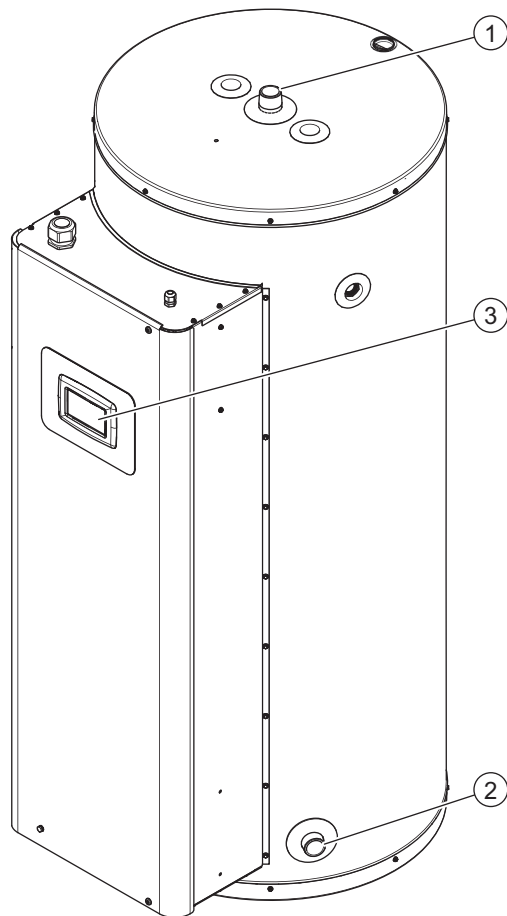
# Introduction

The DRE PLUS water heater stores and heats water for sanitary purposes.

Cold water enters the tank through the water inlet (2). The heated water leaves the tank at the top through the hot water outlet (1). When hot water is used, the tank of the water heater is filled with the same amount of cold water.

To operate the water heater, the display (3) is used.

*Fig. DRE PLUS water heater*



- 1. Water outlet
- 2. Water inlet
- 3. Display



A.O. Smith cannot be held responsible for damages or injuries which can be lead back to:

- Failure to follow the instructions provided in this manual.
- Carelessness during use or maintenance of the water heater.

Every user must study the user part of this manual and must follow the instructions in this part of the manual strictly. Do not change the sequence of the described actions. This manual must be available for the user and service engineer at all times.



---

**Warning**

If you detect a burning smell:

- Shut off the mains power supply.
- Alert the emergency services.



---

**Caution**

Do not store or use chemical substances in the room where the water heater is installed because of the risk of explosion and corrosion of the water heater. Some propellants, bleaching agents and degreasing agents etc. disperse of explosive vapors and/or cause accelerated corrosion. If the water heater is used in a room where such substances are stored or used, the warranty will be void.

**Caution**

Installation, maintenance and service may only by carried out by a qualified engineer.

**Caution**

The water heater is not intended for use by persons with reduced physical, sensory or mental capacities, or who lack the necessary experience or knowledge. When the person responsible for their safety is supervising or has explained how the water heater should be used, these persons can use the water heater.

**Caution**

This water heater is not intended to be used by children under the age of 16. Always supervise children, and make sure that they do not play with the water heater.



---

**Note**

Regular maintenance extends the service life of the water heater. To determine the correct service interval, the service and maintenance engineer must do a check on the water heater three months after installation. Based on this check, the best service interval can be determined.

---



# 3

# Interface

## 3.1 Operator interface

The operator interface consists of a (touchscreen) display to navigate through the menu and on which settings, functions, values and errors can be viewed and entered.

The display is completely menu-driven and enables the user to change settings and to verify the status and history of the water heater.

### 3.1.1 Display

The display can show two different types of screens:

- A home screen that shows texts and symbols to indicate the actual status of the water heater.
- A control screen where more information of the the water heater is shown and where you can change settings.

Fig. Display - Home screen

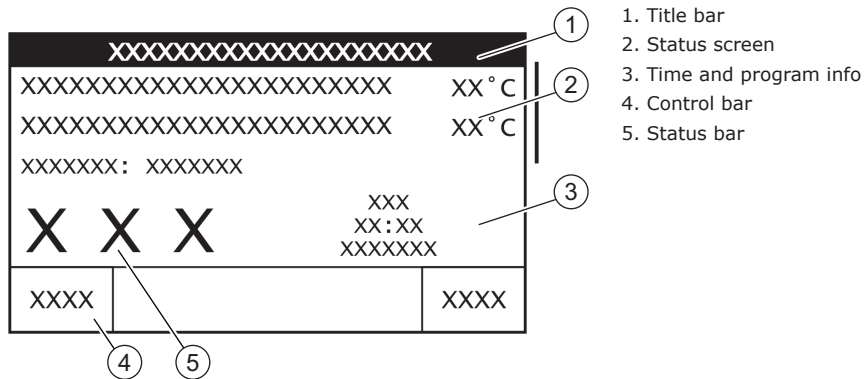
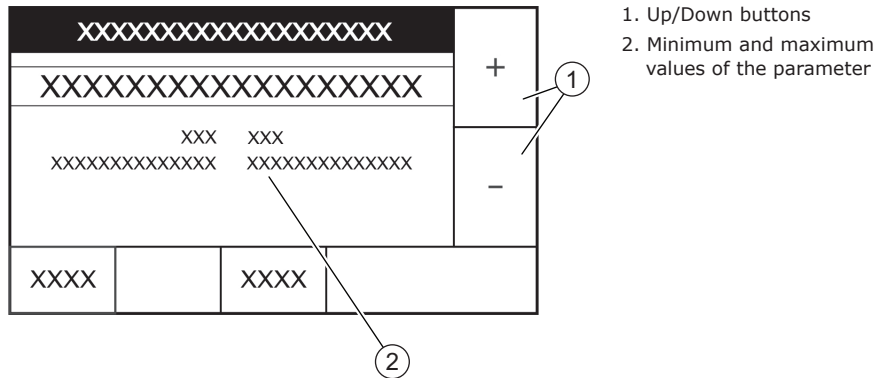







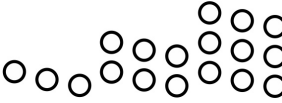

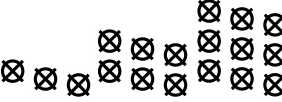



Fig. Display - Control screen



### 3.1.1.1

### Symbols on the display

The symbols on the display give visual information about the status of the water heater.

Symbol	Description
	There is a heat demand.
	The water temperature rises.
	End of water heating (standby).
	The water temperature drops.
	The water heater is not able to initiate the heating cycle.
	The heating element icons for a water heater with one, two or three rows of elements. The open circles represent the heating elements that are not energized.
	The heating element icon for a water heater with one, two or three rows of elements. The filled circles represent the heating elements that are energized with an electrical current.
	The heating element icon for a water heater with one, two or three rows of elements. The circles with an X represent the heating elements that are energized with no electrical current.
	The control system is in heating mode.
	Error.
	Warning.

### 3.1.2

### Display buttons

With the buttons on the display, the menu of the water heater can be accessed.

Button	Function
[MENU]	Go to menu
[BACK]	One step back in menu Changed settings will not be saved



Button	Function
[ACCEPT]	Save changed settings
[+]	Value up
[-]	Value down
[>]	Enter the submenu
[▲]	Scroll up / Raise
[▼]	Scroll down / Lower

## 3.2

### Status of the water heater

During operation, the display shows the status of the water heater.

Fig. Display

Tank Temperature 60°C		
Setpoint 60°C		
Status: Standby		
		wed 14:45 NORMAL
MENU		HELP

The following status texts can appear on the display:

Status text	Explanation
<b>Stand-by</b>	The water heater is not heating because there is no heat demand.
<b>Heating</b>	The water heater is heating up water.
<b>Error</b>	The heating cycle is stopped because the controller has detected an error.

### 3.2.1

#### Operating modes

The DRE PLUS has 3 operating modes:

- [OFF mode](#) (see 3.2.1.1)
- [ON mode](#) (see 3.2.1.2)
- [Economy mode](#) (see 3.2.1.3)

#### 3.2.1.1

##### OFF mode

In the **OFF mode** the water heater is de-activated. Contact your service and maintenance engineer if you want to use this functionality.

In the **OFF mode** the water heater is not protected against frost.

3.2.1.2

To switch the heater to OFF mode:

1. Open the external enable inputs 1 and 2 (see 8.5).

**ON mode**

In the **ON mode** the water heater continuously responds to the heat demand. The electric heating elements are activated when there is a heat demand.



**Note**

The **ON mode** is the factory default operating mode when the external enable 1 and 2 inputs are not used (both inputs are shorted from factory). This means the heating elements are activated when the mains power is connected to the water heater.

3.2.1.3

**Economy mode**

In the **Economy mode** the water heater continuously responds to the heat demand based on a reduced setpoint called Economy setpoint. The economy setpoint is determined by the ON mode setpoint (see 4.1.1) minus the setpoint adjustment (see 9.4).

The **Economy mode** can be activated in two ways:

- Using the week program in the Economy mode menu (see 9.4). This is only if the external enable inputs 1 and 2 (see 8.5) are set correctly.
- Using the external enable inputs 1 and 2 (see 8.5) directly. Contact your service and maintenance engineer if you want to use this functionality.

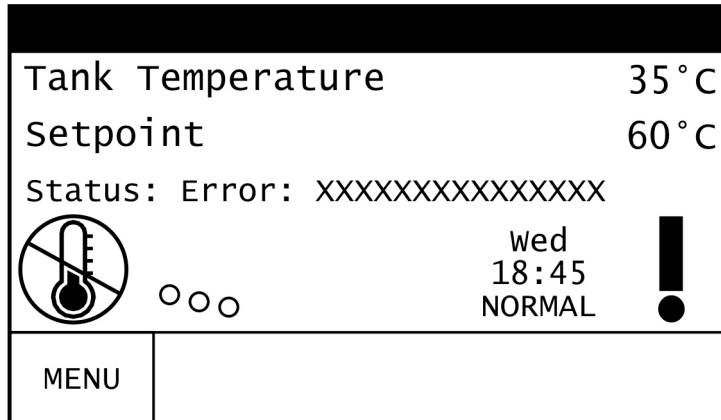
3.2.2

**Error conditions**

If there is an error or warning, the screen blinks and it shows a small description of the error or warning.

Press **[BACK]** to return to the Home screen. The Home screen shows the exclamation mark, or a question mark for a warning. For errors, the status changes to Error.

Fig. Error status



When the display shows an error:

1. Switch the isolator between the water heater and the mains power supply off and on to reset the water heater.



**Note**

Contact your service and maintenance engineer or supplier when the water heater does not restart or when the display shows the error again.



# 4

# Use

## 4.1

### Turn on the water heater



**Caution**

Make sure that the water heater is filled with water before you turn on the water heater.

Switch the isolator between the water heater and the mains power supply on to start the water heater.

### 4.1.1

#### Set the water temperature

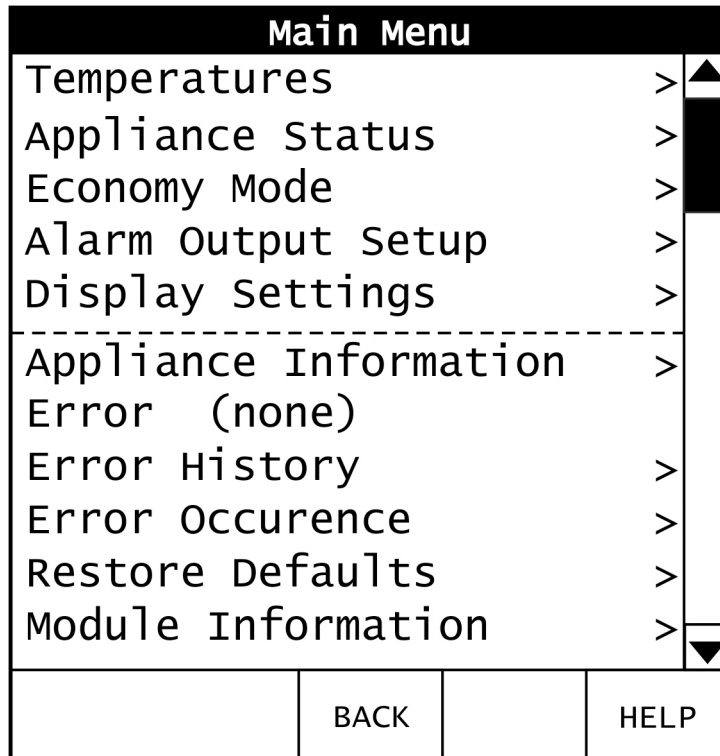


**Caution**

Preferably set the temperature setpoint to 60 °C. Harmful scaling and lime build-up will be higher when you set the temperature setpoint to 65 °C and higher. At lower temperature settings there is a higher risk of high legionella concentrations in the water.

To change the temperature setpoint:

1. Press **[Menu]** to access the main menu.



- 2. Open the **Temperatures** submenu.

Temperatures			
Setpoint	60 °C	>	▲
1st Differential	1 °C	>	■
2nd Differential	1 °C	>	■
3rd Differential	1 °C	>	■
Tank Temperature	60 °C		■
Tank Sensor Offset	0 °C	>	▼
		BACK	HELP

- 3. Open the **Setpoint** control screen.

Setpoint		+
60 °C		
MIN 32 °C	MAX 83 °C	-
ACCEPT		BACK

- 4. Change the water temperature setpoint:
  - a) Use **[+]** to increase the setpoint.
  - b) Use **[-]** to decrease the setpoint.
- 5. Press **[ACCEPT]** to confirm the value or press **[BACK]** to return to the previous screen.

## 4.2 Turn off the water heater

### 4.2.1 Turn off for a short period

To turn off the water heater for less than 2 months, set the water heater in the **OFF mode** (see 3.2.1.1).



**Note**

If the water heater stays in the **OFF mode** for more than 2 months and no water is drained, air bubbles may be formed in the water heater. This can lead to air in the water pipes.

### 4.2.2 Turn off for a long period

When the water heater needs to be turned off for more than 2 months, contact your service and maintenance engineer to decommission the water heater.

# **Installation, Maintenance and Service part**



# 5 Introduction

## 5.1 About the water heater

The DRE PLUS water heater is intended for heating water for sanitary purposes.

The DRE PLUS is an electric storage water heater. The electric heating elements transfer their heat directly to the water.

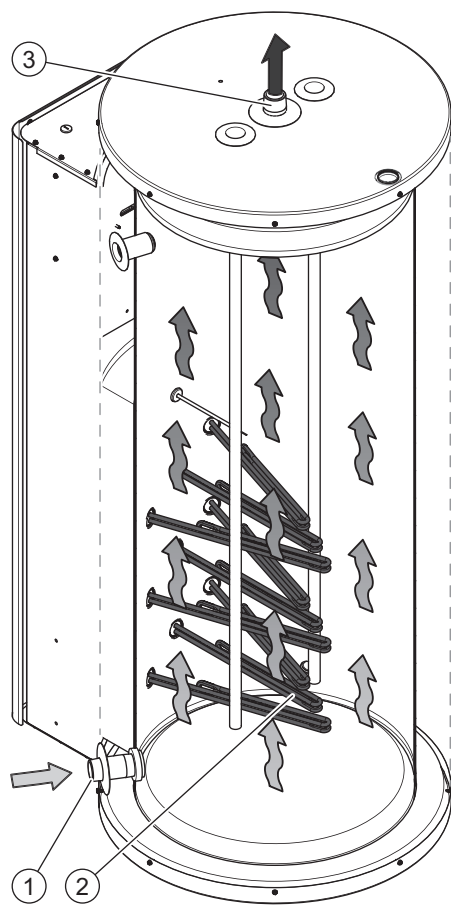
## 5.2 Working principle

Cold water enters the bottom of the tank through the water inlet (1). The heating elements (2) transfer their heat directly to the water and the hot water leaves the tank through the water outlet (3) at the top of the tank. The tank of the water heater has to be completely filled during operation. The tank at least must remain under mains water supply pressure at any time. Fresh cold water is immediately added when hot water is drawn from the water heater.

Depending on the model the water heater has 1, 2 or 3 rows of each 3 heating elements. The DRE PLUS is equipped with a temperature sensor that measures the water temperature on the outside of the tank. The sensor is connected to the control system.

When the water temperature drops beneath the set temperature, the heating elements are activated and the water is heated.

Fig. DRE PLUS water heater



- 1. Water inlet
- 2. Heating elements
- 3. Water outlet

# 6

# Safety

## 6.1

## Safety instructions

For safety instructions on the use of the water heater, refer to [Safety](#) (see 2) in the User part of this manual.



---

**Warning**

Installation, maintenance and service must be carried out by a qualified engineer in compliance with the general and local regulations imposed by the water and power supply companies and the fire brigade.

**Warning**

The water heater may only be installed on a non-flammable floor or surface.

**Warning**

Isolate the heater from the mains before you start maintenance or repairs. Leave the water heater electrically isolated until you are ready to commission it.

---



---

**Caution**

The water heater may only be moved in an upright position. After unpacking, make sure that the water heater is not damaged.

**Caution**

Fill the water heater completely before use. Dry firing will damage the water heater.

**Caution**

The anode protection remains active when the water heater is in OFF mode.

**Caution**

Water may drip from the discharge pipe of the pressure-relief device. This pipe must be left open to the atmosphere.

**Caution**

Operate the pressure-relief device regularly to remove lime deposits and to verify that it is not blocked.

**Caution**

When installing the heater, you need an expansion valve. The expansion valve and associated fittings are not included in the package. The expansion valve must be suitable for a water pressure level of up to 800 kPa. Install the expansion vessel and expansion valve as close as possible to the water heater.

---



---

**Warning**

Never install a stop valve or a non-return valve between the expansion vessel/expansion valve and the water heater.

---




---

**Caution**  
The heater is intended to be connected to the water mains permanently. Do not use a hose set to connect the heater.

---



**Note**  
Any leakage from the tank and/or connections can cause damage to the immediate environment or floors below the level of the boiler room. Install the water heater above a waste water drain or in a suitable metal leak tray.  
The leak tray must have an appropriate waste water drain and must be at least 5 cm deep with a length and width of at least 5 cm larger than the water heater.

**Note**  
The water heater is supplied without a power cable and isolator.  
Use a power cable with wires of a suitable diameter based on the cable length and the current.

**Note**  
Select and install an overvoltage category III, all-pole isolator with a contact gap of at least 3 mm. The all-pole isolator must be incorporated in the fixed wiring in accordance with the wiring rules.

---

## 6.2





### Instructions on the water heater

The water heater has some safety instructions on its cover:

- The text "Read the installation instructions before you install the appliance".
- The text "Read the user instructions before putting the appliance into operation".
- The text "Live cables inside! Switch off the power supply completely (on local isolator) before opening the outer door to access the electrical components."
- The text "Check all electrical screw connections before commissioning and after service/maintenance."
- The text "A suitable temperature and pressure valve must be fitted in the designated connection."
- The text "A pressure relief valve must be fitted in the cold water supply."
- The text "Warranty is compelled to retract when the appliance is not maintained according to the maintenance instructions and when the water quality does not comply with the regulations as stated in the installation instructions."

Also the packaging has some safety instructions:

- The text "Read the installation instructions before installing the appliance".
- The text "Read the user instructions before putting the appliance into operation".
- Some safety pictograms:

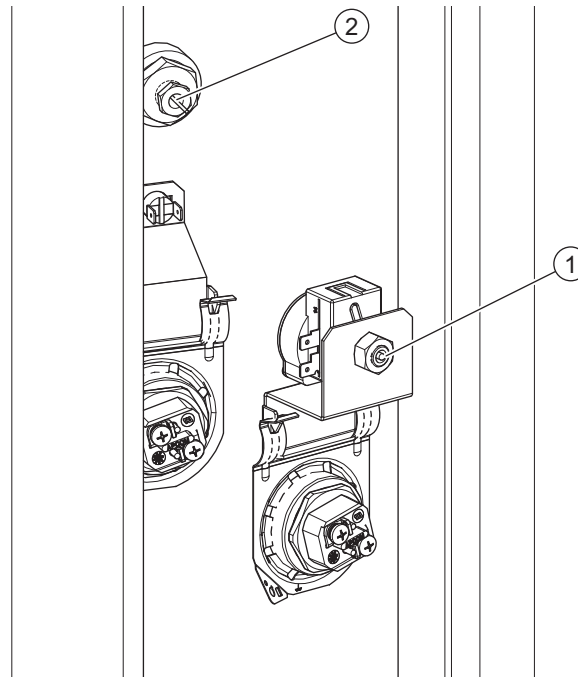
	CE marked
	UKCA marked
	Packaging in compliance with ISPM 15
	Put the device into a municipal waste collection depot for electrical and electronic equipment



## 6.3

## Safety devices

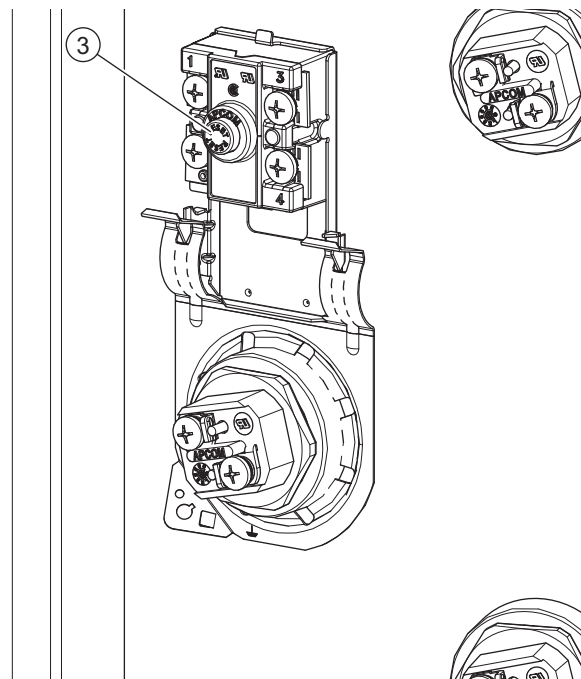
Fig. Main safety thermostat



- 1. Main Safety thermostat - body
- 2. Main Safety thermostat - probe

EN

Fig. Row safety thermostat



- 3. Row Safety thermostat

### Safety devices of the water heater:

<b>Main Safety thermostat (G1)</b>	The main safety thermostat (G1) breaks the control circuit when the water temperature is too high ( $>92^{\circ}\text{C} \pm 3^{\circ}\text{C}$ ). The main safety thermostat also protects the heating elements when the water heater is activated when it is not filled with water. The main safety thermostat (G1) probe is installed above the middle element of the highest row. You can use the white button on the thermostat body to manually reset the thermostat when the water temperature has dropped ( $<83^{\circ}\text{C}$ ). Make sure the water heater is completely filled with water before resetting the thermostat.
<b>Row Safety thermostat (G2)</b>	The row safety thermostat (G2) breaks the circuit (L1 and L2) of each row of elements when the temperature of the water becomes too high ( $>93^{\circ}\text{C} \pm 3^{\circ}\text{C}$ ) due to a failure in the control circuit. You can use the red button to manually reset the thermostat when water temperature has dropped ( $<83^{\circ}\text{C}$ ).
<b>Thermal fuse</b>	The thermal fuse is integrated in the wiring of the main safety thermostat (G1) and breaks the control circuit when it detects overheat of the element area. The thermal fuse cannot be reset. The complete wiring, with thermal fuse, must be replaced.

### Safety devices of the installation:

<b>Expansion vessel</b>	The expansion vessel temporarily stores expansion water to keep the pressure in the installation at the correct level.
<b>Expansion valve</b>	The expansion valve prevents excessive pressure in the tank of the water heater.
<b>Pressure-reducing valve</b>	The pressure-reducing valve reduces the water mains pressure, if necessary.
<b>Temperature and pressure relief valve (T&amp;P valve) (1)</b>	The T&P valve prevents excessive pressure and temperature in the tank.

1- All installations have a T&P valve connection. The use of a T&P valve is mandatory.

## 6.4

## Environmental aspects

### 6.4.1

### Recycling



The packaging material is environmentally friendly, recyclable and relatively easy to discard.

### 6.4.2

### Disposal



Old end-of-life appliances contain materials that need to be recycled. When you discard devices at the end of their service life, you must obey local legislation related to waste disposal.

Never discard your old device together with regular waste. Put the device into a municipal waste collection depot for electrical and electronic equipment. If necessary, ask your supplier or your service and maintenance engineer for advice.



# 7

# Water heater

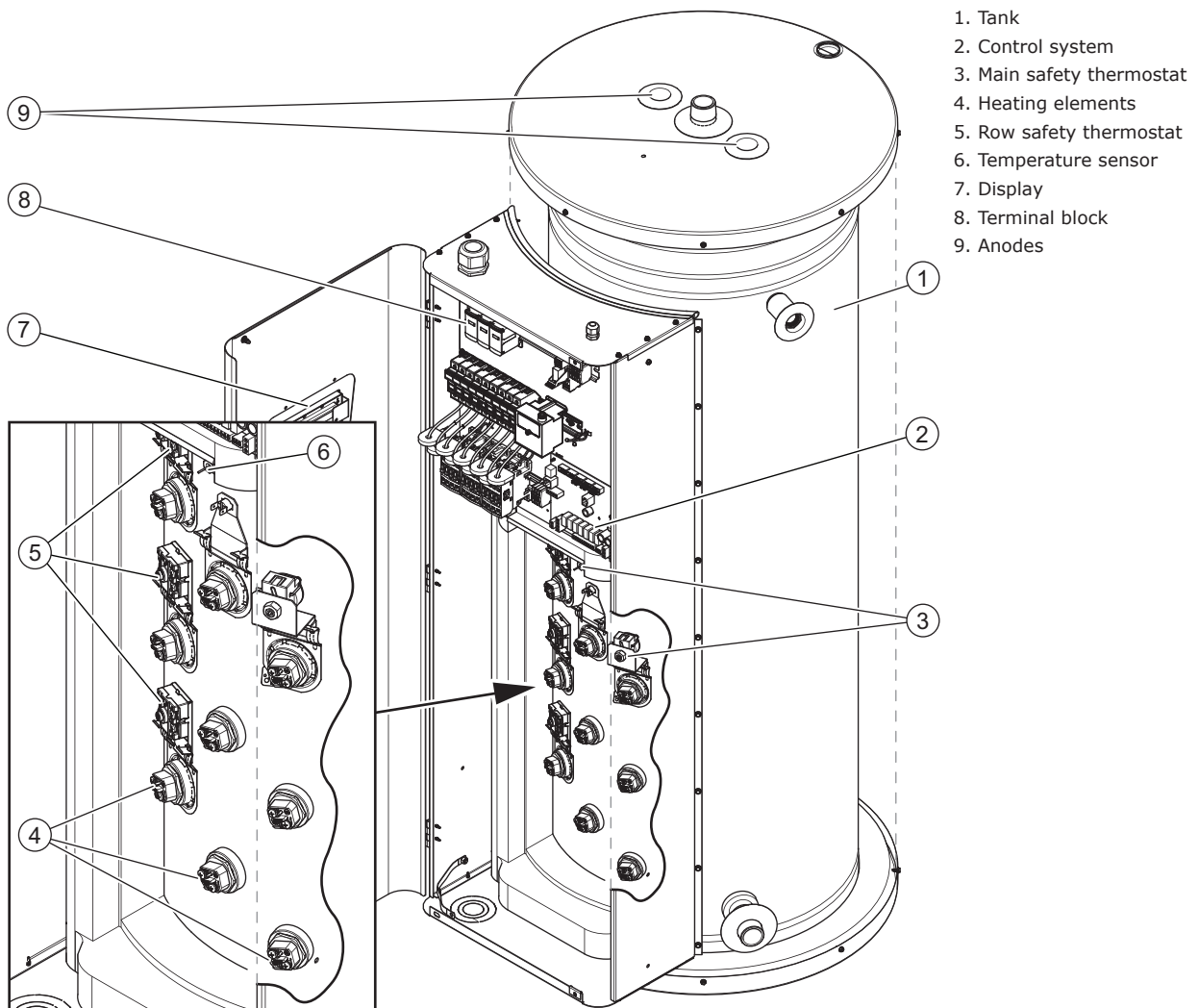
## 7.1

## Structure of the water heater

The water heater has the following main components:

- 
- |                 |  |
|-----------------|--|
| <b>Tank (1)</b> | The water is stored and heated up in the tank. |
|-----------------|--|
- 
- |                             |  |
|-----------------------------|--|
| <b>Heating elements (4)</b> | The water is heated by the heating elements. |
|-----------------------------|--|
- 

Fig. Components water heater





# 8

# Installation



---

**Warning**

The installation must be done by a qualified person, in compliance with general and local applicable regulations (on page 4).

---



---

**Caution**

The water heater may not be used in rooms where chemical substances are stored or used because of the risk of explosion and corrosion of the water heater. Some propellants, bleaching agents and degreasing agents etc. disperse of explosive vapors and/or cause accelerated corrosion. If the water heater is used in a room where such substances are stored or used, the warranty will be void.

**Caution**

This water heater is designed for indoor use only.

---

For more safety instructions, refer to Safety instructions (see 6.1).

## 8.1

### Packaging

A.O. Smith recommends to unpack the water heater at or near its intended location. Remove the packaging material carefully to prevent damage to the water heater.

## 8.2

### Conditions



---

**Warning**

The water heater must be installed on a non-flammable floor and surface.

---

### 8.2.1

#### Ambient conditions

The installation site must be frost-free. If necessary, adjust the installation site to keep it frost-free.

Make sure that the ambient conditions are correct to prevent malfunction of the electronics in the water heater.

Air humidity and ambient temperature	
Air humidity	Max. 93% RH at + 25 °C
Ambient temperature	Functionality: 0 < T < 40 °C

### 8.2.2

#### Maximum floor load

Refer to the building construction engineer and the general specifications in the appendices to make sure that the maximum floor load is sufficient for the weight of the water heater.

### 8.2.3

### Water composition

The water must comply with the regulations for drinking water for human consumption.

Water composition	
Water hardness	> 1.00 mmol/l: <ul style="list-style-type: none"><li>• German hardness &gt; 5.6° dH</li><li>• French hardness &gt; 10.0° fH</li><li>• English hardness &gt; 7.0° e</li><li>• <math>\text{CaCO}_3</math> &gt; 100 ppm</li></ul>
Conductivity	> 125 $\mu\text{S}/\text{cm}$
Acidity (pH value)	7.0 - 9.5



#### Note

Water quality may adversely affect the efficiency, performance and lifetime of the water heater, refer to [Warranty](#) (on page 3). If water specifications differ from the specifications in the table a water treatment specialist should be consulted.

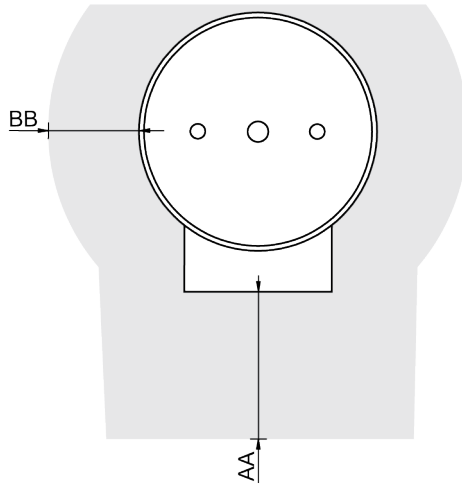
### 8.2.4

### Working clearances

Make sure that there is sufficient clearance to access the water heater:

- 100 cm in front of the water heater (AA).
- 50 cm at the left and right side of the water heater (BB).
- 100 cm at the top of the water heater.

Fig. Working clearances



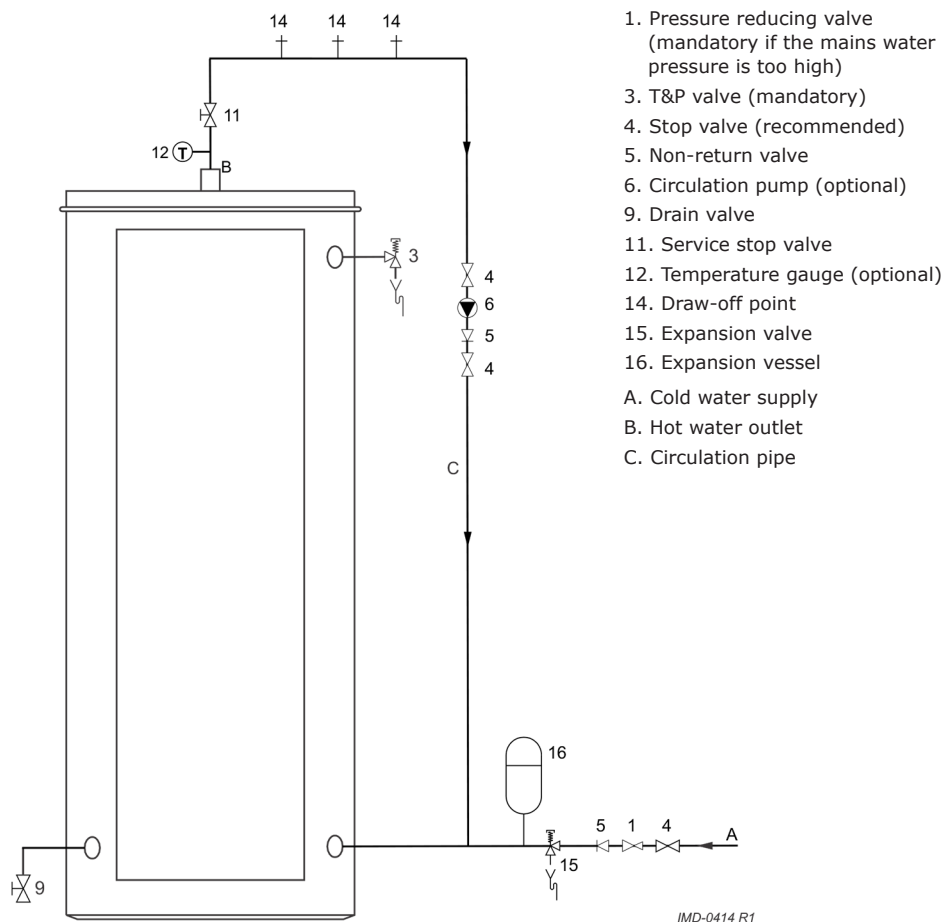
IMD-1449 R0



## 8.3

## Installation diagram

Fig. Installation diagram



### Note

Use this installation diagram when you:

- install the water connections (see 8.4)
- fill the water heater (see 8.6.1)
- drain the water heater

## 8.4

## Water connections

### 8.4.1

### Cold water connection



#### Caution

When installing the heater, you need an expansion valve. The expansion valve and associated fittings are not included in the package. The expansion valve must be suitable for a water pressure level of up to 800 kPa. Install the expansion vessel and expansion valve as close as possible to the water heater.



#### Warning

Never install a stop valve or a non-return valve between the expansion vessel/expansion valve and the water heater.

**Warning**

The heater is intended to be connected to the water mains permanently. Do not use a hose set to connect the heater.

---

Install the cold water connection:

1. When the mains water supply pressure is too high, install a pressure reducing valve (1), refer to the Technical details.
2. Install a non-return valve (5).
3. Install an expansion valve (15).
4. Connect the overflow connection of the expansion valve, to an open waste water pipe.
5. Install an expansion vessel (16).

**8.4.2**

**Hot water connection**

---



**Note**

Insulate long hot water pipes to prevent unnecessary energy loss.

**Note**

The use of a T&P valve is mandatory.

---

Install the hot water connection:

1. Install a stop valve (11) in the hot water outlet pipe for service reasons.
2. Install a T&P valve (3).
3. If applicable, install a temperature gauge (12).

**8.4.3**

**Circulation connection**

---

Install a circulation system when an immediate flow of hot water at draw-off points is required. This improves comfort and reduces water wastage.



**Note**

Connect the circulation pipe (C) to the cold water inlet connection.

**Note**

Make sure that the circulation pump has the correct capacity for the length and resistance of the circulation system.

---

Install a circulation pump:

1. Install a circulation pump (6).
2. Install a non-return valve (5) after the circulation pump to make sure that the direction of circulation is guaranteed.
3. Install a stop valve (4) before the circulation pump.
4. Install a stop valve (4) after the non-return valve.
5. Connect the circulation pipe (C) to the cold water inlet, between the water heater and the expansion vessel (16).

**8.5**

**Electrical connections**

---



**Warning**

Leave the water heater electrically isolated until you are ready to commission it.

---

## 8.5.1

### Preparation

Open the door of the water heater to make the electrical section and the terminal block visible.

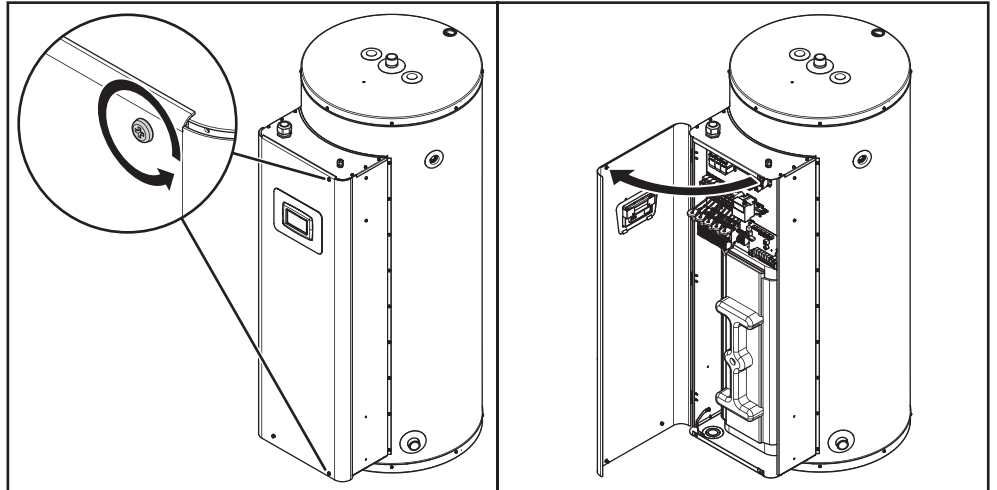


#### Warning

Live cables inside! Switch off the power supply completely (on local isolator) before opening the outer door to access the electrical components.

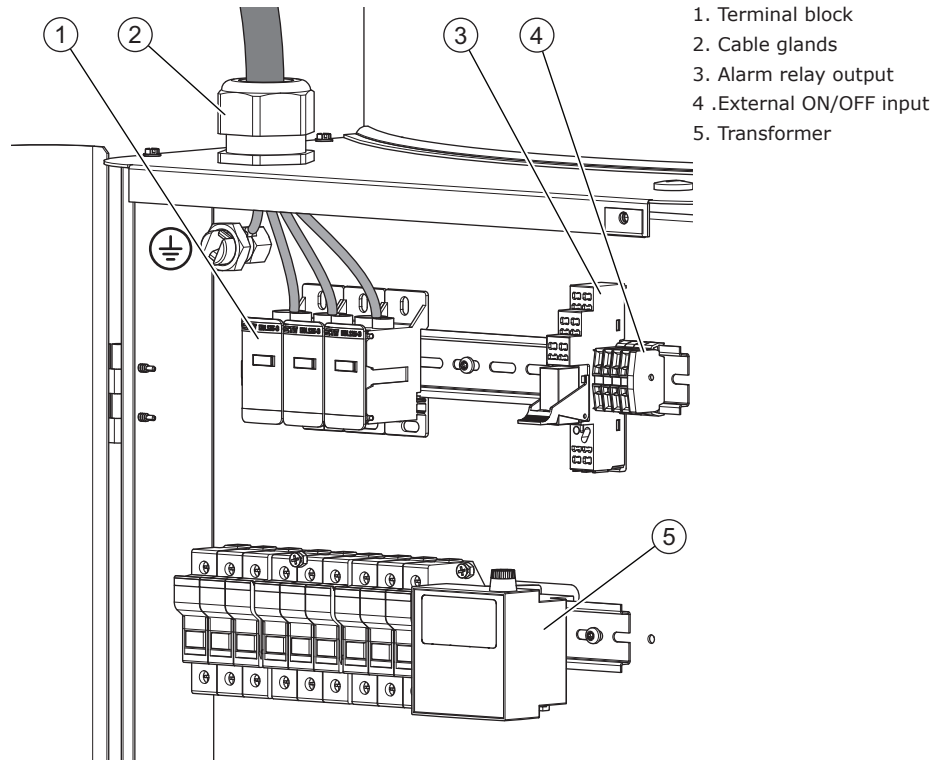
EN

Fig. Open the door



The mains power connections have to be connected to the terminal block, refer to Structure of the water heater (see 7.1).

Fig. Terminal block



## 8.5.2

### Mains power



#### Note

The water heater is supplied without a power cable and isolator. Use a power cable with wires of a suitable diameter based on the cable length and the current.

#### Note

Select and install an overvoltage category III, all-pole isolator with a contact gap of at least 3 mm. The all-pole isolator must be incorporated in the fixed wiring in accordance with the wiring rules.

#### Note

This isolator must be installed in the same room as the appliance, suitably marked and no more than 1 meter away from the water heater.

#### Note

The length of the mains earth core that is connected to the electrical connection must be longer than the core of the mains live (L1, L2 and L3).

Connect the water heater to the mains power supply:

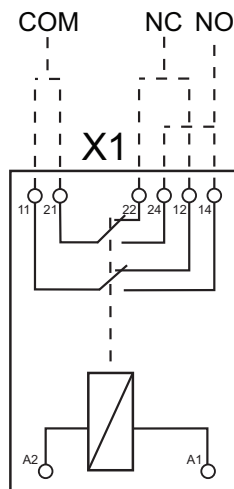
1. Pull the power cable through the cable gland.
2. Connect the live (L1, L2 and L3) and the earth (A) core of the power cable to the terminals of the terminal block.
3. Connect the power cable to the isolator.
4. Secure the power cable in the cable gland.

## 8.5.3

### Alarm output

The alarm output allows you to transmit the alarm status to an external device. The alarm output is a relay.

	Connections	
	Supply	Output
Normally Open (NO)	11	14
	21	24
Normally Closed (NC)	11	12
	21	22



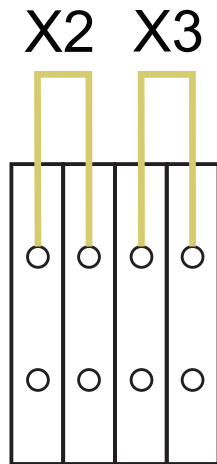
To use the alarm output:

1. Connect a power supply (250V/10A max.) to one of the supply terminals (11 or 21).
2. Connect the output terminal (NC: 12 or 22 and NO: 14 or 24) to your external device.

### 8.5.4

### External ON/OFF

The External ON/OFF contacts can be used to control the heater.



Mode	Setpoint	External contacts
On	Normal	X2 = Closed X3 = Closed
Off	-	X2 = Open X3 = Open
Economy	Economy (Normal setpoint minus the Economy setpoint adjustment)	X2 = Closed X3 = Open
Week program	Switches between Normal and Economy according to program	X2 = Open X3 = Closed

The heater is supplied with two shunts on X2 and X3. You can remove the shunts to permanently set the heater to one mode. You can also replace the shunt with an external switch or relay so you can open/close the contact remotely.



**Caution**

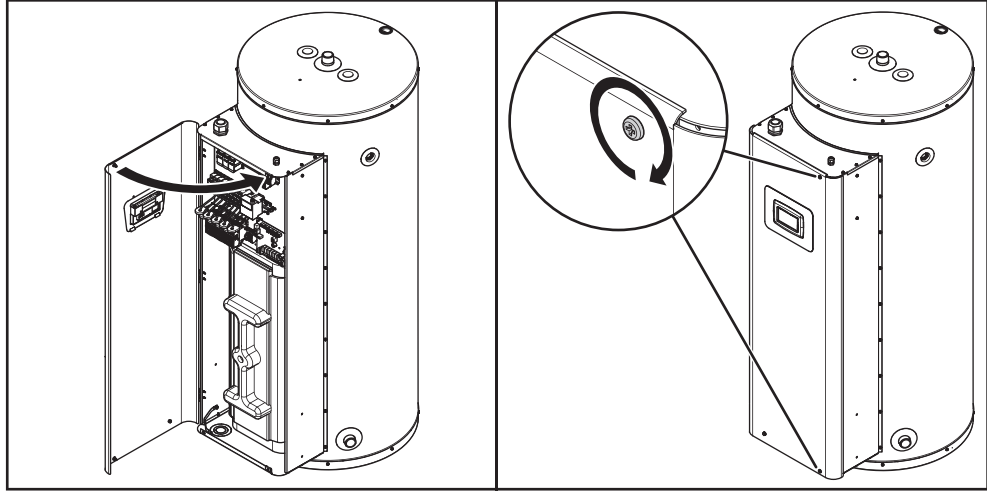
Do not apply power to these terminals.

## 8.5.5

### Finalization

When all connections are made, close the door of the water heater.

Fig. Install the cover



EN

## 8.6

### Commissioning

To commission the water heater:

1. Fill the water heater (see 8.6.1)
2. Turn on the water heater

### 8.6.1

#### Filling

Refer to the installation diagram when you fill the water heater:

1. If applicable, open the stop valves (4) of the circulation pipe (C).
2. Make sure that the drain valve (9) is closed.
3. Open the nearest hot water draw-off point (14).
4. Open the stop valve (4) of the cold water supply pipe (A). Cold water flows into the water heater.
5. Fill the water heater until a full water jet flows from the nearest draw-off point. The water heater is completely full.
6. Open all draw-off points to bleed the entire installation of air. The water heater is now under water supply pressure.
7. Make sure that no water comes out of the expansion valve (15) or the T&P valve (3). If water comes out:
  - Examine if the water supply pressure is greater than the specified value in the Technical details. If necessary, install a pressure reducing valve (1).
  - Examine if the expansion valve in the protected cold supply set-up is installed correctly and is not defective. If necessary, replace the expansion valve.
8. Close all hot water draw-off points.

### 8.6.2

#### Turn on the water heater



---

#### Caution

When you turn on the water heater for the first time, make sure that the date and time is set. Refer to the Economy mode settings menu (see 9.4).

---

Refer to the procedure in the user part to Turn on the water heater (see 4.1).

## 8.7 Decommissioning

To decommission the water heater:

1. Turn off the water heater (see 8.7.1)
2. Drain the water heater (see 8.7.2)

### 8.7.1 Turn off the water heater

Refer to the procedure in the user part to Turn off the water heater (see 4.2) and isolate the water heater from the mains power supply.

### 8.7.2 Draining

Refer to the installation diagram when you drain the water heater:

1. If applicable, close the service stop valve (11) in the hot water pipe.
2. If applicable, close the stop valves (4) of the circulation pipe (C).
3. Close the stop valve (4) in the cold water supply.
4. Open the drain valve (9).
5. Aerate the entire installation of air until the water heater is completely drained.
6. If the water heater needs to be drained completely, disconnect and tilt the water heater in the direction of the drain valve.





# 9

# Settings

## 9.1

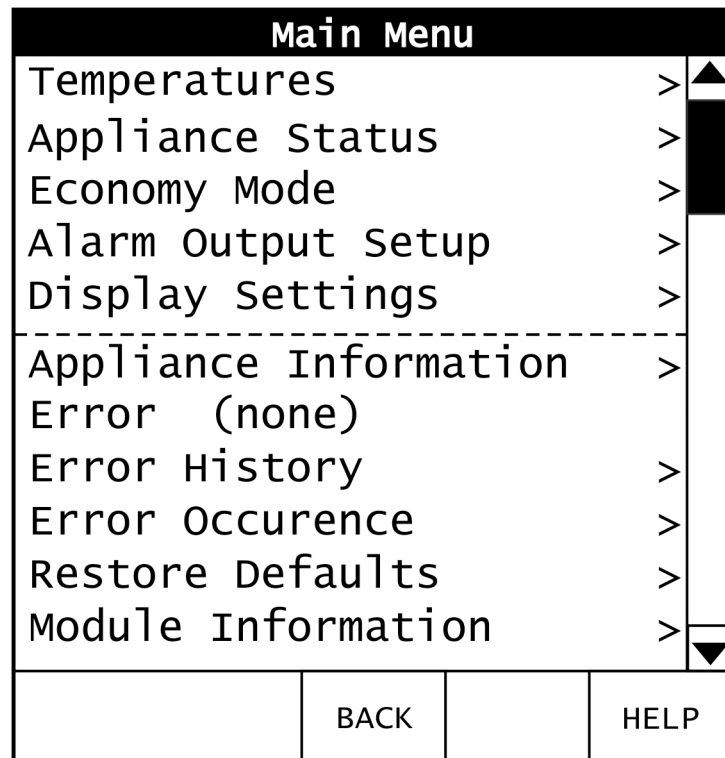
### Display

The display is completely menu-driven and enables the user to change settings and to verify the status and history of the water heater.

For more information about how to use the display, refer to [Operator interface](#) (see 3.1).

On the display, press **[MENU]** to enter the main menu.

Fig. Main menu



The main menu consists of submenus. Use the scroll bar on the right side to scroll through the menu.

Press on a line with a **[>]** to open that specific submenu. Press **[BACK]** to return to the previous screen.

## 9.2

## Temperatures

The **Temperatures** submenu shows the temperature setpoint, the differentials, the actual water temperature in the water heater and the tank sensor offset.

Fig. Temperature submenu

Temperatures			
Setpoint	60 °C	>	▲
1st Differential	1 °C	>	
2nd Differential	1 °C	>	
3rd Differential	1 °C	>	
Tank Temperature	60 °C		
Tank Sensor Offset	0 °C	>	▼
	BACK		HELP

Press on a line with a [**>**] to set the setpoint or to set the differential. Press [**BACK**] to return to the previous screen.

### 9.2.1

### Setpoint



#### Caution

Preferably set the temperature setpoint to 60 °C. Harmful scaling and lime build-up will be higher when you set the temperature setpoint to 65 °C and higher. At lower temperature settings there is a higher risk of high Legionella concentrations in the water.

To change the temperature setpoint:

1. From the **Temperatures** submenu open the **Setpoint** control screen.

Setpoint		
60 °C		
MIN 32 °C	MAX 83 °C	+
		-
ACCEPT	BACK	

2. Change the water temperature setpoint:
  - a) Use [**+**] to increase the setpoint.
  - b) Use [**-**] to decrease the setpoint.
3. Press [**ACCEPT**] to confirm the value or press [**BACK**] to return to the previous screen.

### 9.2.2

### Hysteresis

The water heater does not start immediately when the water temperature is below the temperature setpoint. To prevent that the water heater switches on and off too often, there is a margin; the hysteresis.

The hysteresis is determined by the number of element rows and the differential setting of each row. The sequence in which the rows are energized is: the first row to be switched on is the last row that will be switched off. The default operating setpoint is 60° and the

differential is 1°C. With these settings, the rows are energized as indicated in the table below.

To set the differential:

1. Open the 1st differential control screen.

1st Differential			+
1°C			
MIN 1°C		MAX 11°C	-
ACCEPT		BACK	

2. Change the differential setpoint:
  - a) Use **[+]** to increase the setpoint.
  - b) Use **[-]** to decrease the setpoint.
3. Press **[ACCEPT]** to confirm the value or press **[BACK]** to return to the previous screen.

The default value for the differential is 1 °C.

Example 1: default setting

Row Number	Differential	Energized at Temperature (Turn On)	Energizing stops at Temperature (Turn Off)
Row 3 (top row)	1°C	< 57°C	> 58°C
Row 2 (middle row)	1°C	< 58°C	> 59°C
Row 1 (bottom row)	1°C	< 59°C	> 60°C

Example 2: different differentials

Row Number	Differential	Energized at temperature (Turn On)	Energizing stops at temperature (Turn Off)
Row 3 (top row)	4°C	< 49°C	> 53°C
Row 2 (middle row)	5°C	< 53°C	> 58°C
Row 1 (bottom row)	2°C	< 58°C	> 60°C

### 9.2.3

### Tank sensor offset

If the indicated tank temperature does not match the actual water temperature: change the Tank Sensor Offset.

To change the Tank Sensor Offset:

1. From the **Temperatures** submenu open the Tank Sensor Offset control screen.

Tank sensor offset			
0 °C			+
MIN -3 °C		MAX 3 °C	-
ACCEPT		BACK	

2. Change the temperature offset:
  - a) Use **[+]** to increase the offset.
  - b) Use **[-]** to decrease the offset.
3. Press **[ACCEPT]** to confirm the value or press **[BACK]** to return to the previous screen.

## 9.3

### Appliance Status

The **Appliance Status** submenu shows detailed information of the appliance:

Status	Current status of the appliance.
Element rows	Number of rows of elements in the appliance.
Max temperature contact	Closed: temperature is below the maximum Open: Temperature has been above the maximum, and the temperature protection circuit has activated.
External enable 1	Input 1 open or closed.
External enable 2	Input 2 open or closed.
Element row x active	Elements in this row are active.
Alarm condition	Yes: the relay output has been triggered by an alarm. No: no alarm.
Alarm acknowledged	Not used.
Alarm relay output	Closed: the relay output has been triggered by an alarm. Open: no alarm.

Fig. Appliance status submenu

Appliance Status		
Status:	Standby	▲
Element Rows	0	
Max Temperature Contact	Closed	
External enable 1	Closed	
External enable 2	Closed	
Element row1 active	No	
-----		
Element row2 active	No	
Element row3 active	No	
Alarm Condition	No	
Alarm Acknowledged	No	
Alarm Relay Output	Open	▼
	BACK	HELP

## 9.4 Economy Mode

The **Economy Mode** submenu shows the settings used to establish an Economy setpoint and Economy mode operating periods.

In this menu, you can switch the mode used for each day:

- **NORMAL:** the appliance will switch between NORMAL and ECO mode according to the schedule you set. The default setting is:
  - Start time for NORMAL mode: 00:00
  - End time for NORMAL mode: 23:59
  - When you change the Start time, the appliance will run in ECO mode from 00:00, then switch to NORMAL mode at the start time.
  - When you change the End time, the appliance will switch to ECO mode at the End time.

- ECO: the appliance will run in ECO mode the entire day

Economy Mode			
Setpoint adjustment	11°C	>	▲
Current time	Tue 15:05	>	
Appliance in economy mode	No	>	
Sunday	NORMAL	>	
-Start normal mode	00:00	>	
-End normal mode	23:59	>	
-----			
Monday	NORMAL	>	
-Start normal mode	00:00	>	
-End normal mode	23:59	>	
Tuesday	NORMAL	>	
-Start normal mode	00:00	>	
-End normal mode	23:59	>	
Wednesday	NORMAL	>	
-Start normal mode	00:00	>	
-End normal mode	23:59	>	
Thursday	NORMAL	>	
-Start normal mode	00:00	>	
-End normal mode	23:59	>	
Friday	NORMAL	>	
-Start normal mode	00:00	>	
-End normal mode	23:59	>	
Saturday	NORMAL	>	
-Start normal mode	00:00	>	
-End normal mode	23:59	>	▼
	BACK		HELP

Fig. Economy Mode submenu

### 9.4.1

#### Setpoint adjustment



**Caution**

At temperature settings below 60°C there is a higher risk of high legionella concentrations in the water.

On this page, you specify the difference between the Normal setpoint and the Economy setpoint.

$$(\text{Normal setpoint}) - (\text{Economy setpoint adjustment}) = (\text{Economy setpoint}).$$

To change the Economy setpoint adjustment:

- From the Economy mode submenu open the Economy setpoint adjustment control screen.

Setpoint adjustment			
11 °C			+
MIN		MAX	-
0 °C		11 °C	
ACCEPT		BACK	

- Change the setpoint:
  - Use **[+]** to increase the setpoint.
  - Use **[-]** to decrease the setpoint.
- Press **[ACCEPT]** to confirm the value or press **[BACK]** to return to the previous screen.

### 9.4.2

### Set the time and day

To change the time and day of the week:

- From the Economy mode submenu open the Current Time control screen.

Current time				
Tue 15 : 05				+
^				-
ACCEPT	<	BACK	>	

- Change the setpoint:
  - The **[^]** indicates which value can be changed.
  - Use **[+]** to increase the value.
  - Use **[-]** to decrease the value.
  - Use **[>]** and **[<]** to move between days, hours and minutes.
- Press **[ACCEPT]** to confirm the value or press **[BACK]** to return to the previous screen.

### 9.4.3

### Economy mode schedule

To change the economy mode schedule:

1. From the Economy mode submenu, open the control screen for one of the days of the week.

<b>Sunday</b>				+
NORMAL				
MIN NORMAL		MAX ECONOMY		-
ACCEPT		BACK		

2. Change the setting:
  - NORMAL: the appliance will switch between NORMAL and ECO mode.
  - ECO: the appliance will run in ECO mode the entire day
  - a) Use **[+]** to increase the value.
  - b) Use **[-]** to decrease the value.
3. Press **[ACCEPT]** to confirm the value or press **[BACK]** to return to the previous screen.

If you set a day to NORMAL, you can set the start and end times for the NORMAL mode:

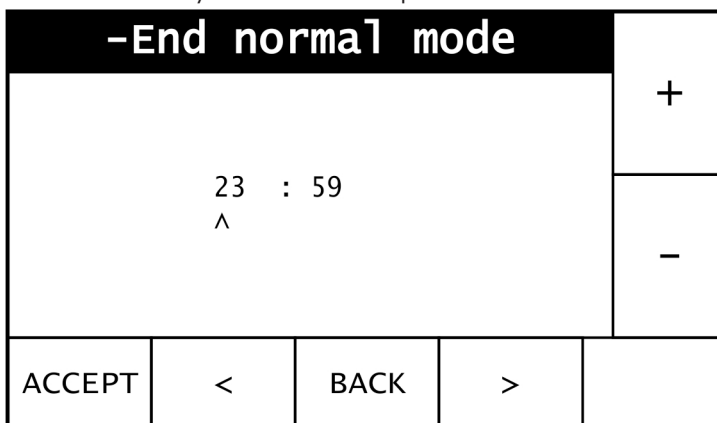
1. From the Economy mode submenu open the Start Normal mode control screen.

<b>-Start normal mode</b>					+
00 : 00 ^					
					-
ACCEPT	<	BACK	>		

2. Change the start time:
  - a) The **[^]** indicates which value can be changed.
  - b) Use **[+]** to increase the value.
  - c) Use **[-]** to decrease the value.
  - d) Use **[>]** and **[<]** to move between hours and minutes.
3. Press **[ACCEPT]** to confirm the value or press **[BACK]** to return to the previous screen.



4. From the Economy mode submenu open the End Normal mode control screen.



5. Change the end time:
- a) The [^] indicates which value can be changed.
  - b) Use [+] to increase the value.
  - c) Use [-] to decrease the value.
  - d) Use [>] and [<] to move between hours and minutes.
6. Press [ACCEPT] to confirm the value or press [BACK] to return to the previous screen.

## 9.5 Alarm output setup

The **Alarm output setup** submenu shows the output function and the alarm setpoint. The output function allows you to choose which events trigger the alarm output. These events are available:

Function	Alarm output is triggered...
Disabled	never.
Error	when an error occurs.
Error or warning	when an error or warning occurs.
Temp < alarm SP	when the water temperature drops below the alarm setpoint.
Temp < SP	when the water temperature drops below the normal setpoint.
Heating mode	when the appliance switches to heating mode.

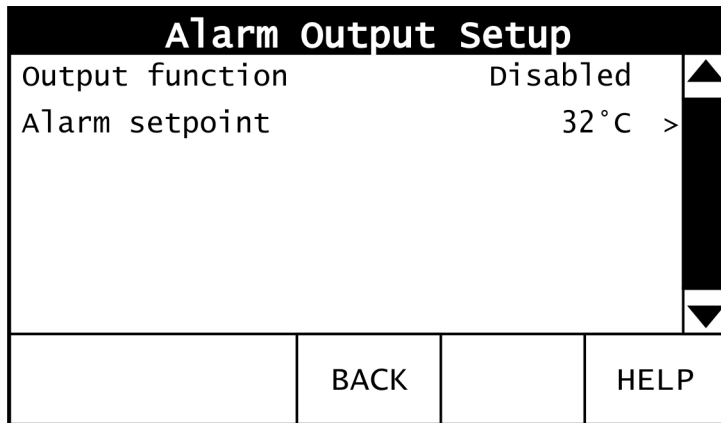


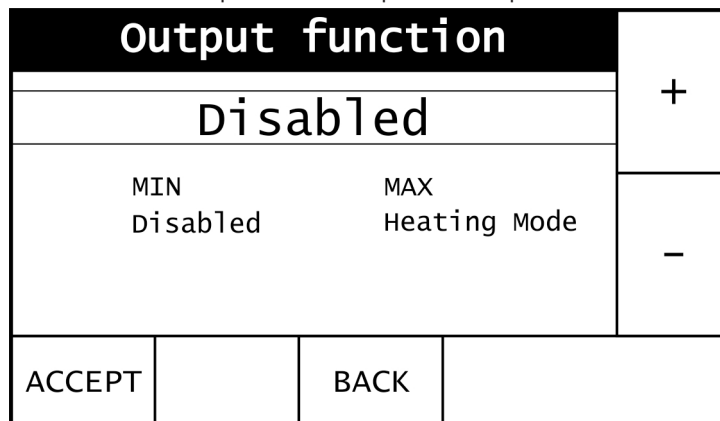
Fig. Alarm output setup submenu

### 9.5.1

#### Set the alarm output function

To change the alarm output function:

1. From the Alarm output submenu open the Output function control screen.



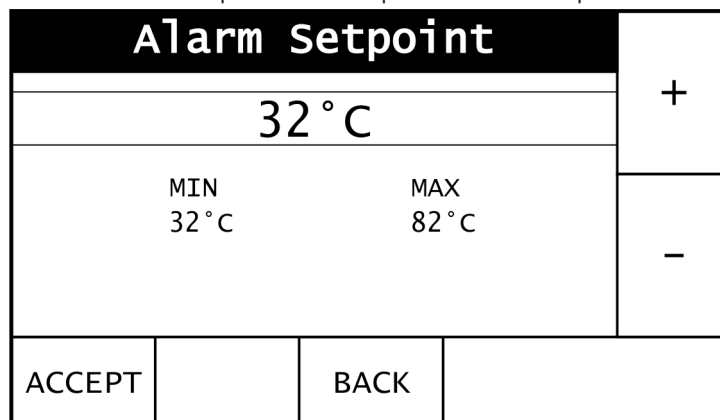
2. Change the alarm output function:
  - a) Use **[+]** to select the next function.
  - b) Use **[-]** to select the previous function.
3. Press **[ACCEPT]** to confirm the value or press **[BACK]** to return to the previous screen.

### 9.5.2

#### Alarm setpoint

To change the alarm temperature setpoint:

1. From the Alarm output submenu open the Alarm Setpoint control screen.

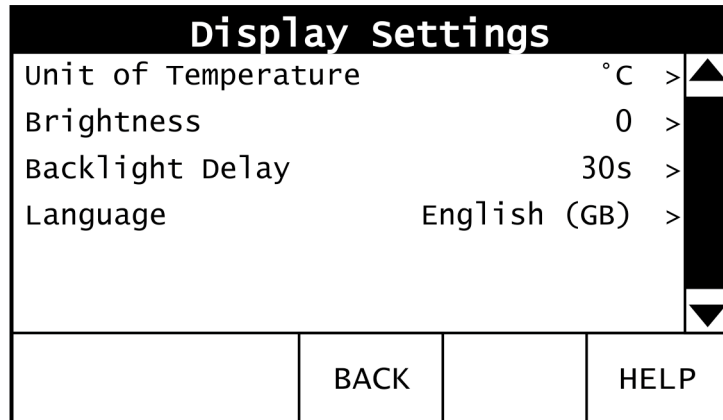


2. Change the alarm temperature setpoint:
  - a) Use **[+]** to increase the setpoint.
  - b) Use **[-]** to decrease the setpoint.
3. Press **[ACCEPT]** to confirm the value or press **[BACK]** to return to the previous screen.

## 9.6 Display settings

The **Display Settings** submenu shows the settings for the unit of temperature, the display brightness, the backlight delay and the language.

Fig. Display settings submenu

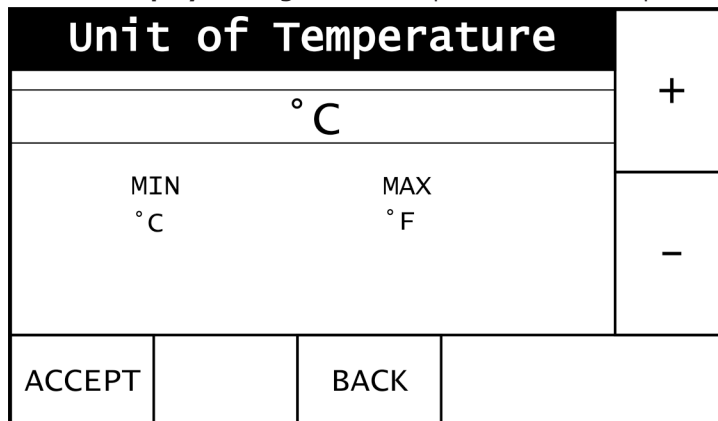


Press on a line with a **[>]** to change the settings.

### 9.6.1 Set the unit of temperature

To change the unit of temperature:

1. From the **Display Settings** submenu open the Unit of temperature control screen.



2. Change the setting.
3. Press **[ACCEPT]** to confirm the value or press **[BACK]** to return to the previous screen.

## 9.6.2

### Set the display brightness

By default, the brightness of the display is low (brightness=0). If you set the brightness to 1 or higher, the display backlight becomes brighter when you press a button.

To change the display brightness:

1. From the **Display Settings** submenu open the **Brightness** control screen.

Brightness			
0			
MIN		MAX	
0		10	
+		-	
ACCEPT		BACK	

2. Change the setting:
  - a) Use **[+]** to increase the brightness.
  - b) Use **[-]** to decrease the brightness.
3. Press **[ACCEPT]** to confirm the value or press **[BACK]** to return to the previous screen.

## 9.6.3

### Set the backlight delay

If you set the display brightness to 1 or higher, the display becomes brighter when you press a button. The backlight delay sets how long it takes before the backlight switches back to low level.

To change the backlight delay:

1. From the **Display Settings** submenu open the Backlight Delay control screen.

Backlight Delay			
30s			
MIN		MAX	
30s		240 s (On)	
+		-	
ACCEPT		BACK	

2. Change the setting:
  - a) Use **[+]** to increase the time that the backlight is on.
  - b) Use **[-]** to decrease the time that the backlight is on.



#### Note

When the backlight delay is set to 240 s (maximum value), the backlight will be continuously on.

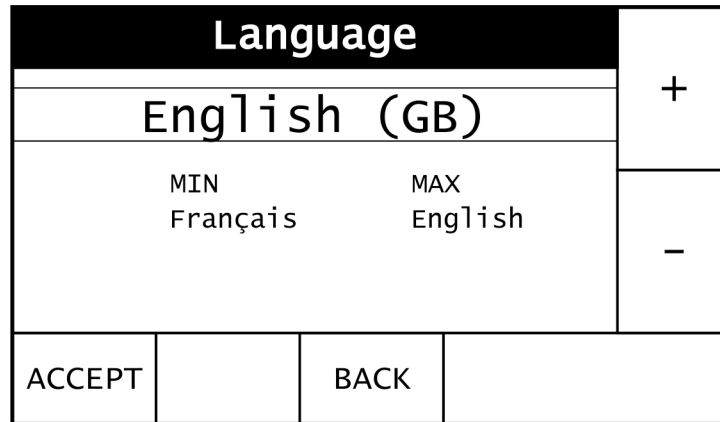
3. Press **[ACCEPT]** to confirm the value or press **[BACK]** to return to the previous screen.

## 9.6.4

### Set the language

To change the language:

1. From the **Display Settings** submenu open the **Language** control screen.



2. Use **[+]** and **[-]** to change the language setting.
3. Press **[ACCEPT]** to confirm the value or press **[BACK]** to return to the previous screen.

When you press **[ACCEPT]**, the display restarts. This does not influence the control system.

## 9.7

### Appliance information

From the main menu, you can open the **Appliance Information** submenu. The **Appliance Information** submenu shows information about the operating history of the water heater.

Total time	Total time the appliance has been on
TT. Heating	Total time the heaters have been on
Total cycles counter	Number of heating cycles
Row x cycles	Number of heating cycles for heater row x
Row x act	Total time the heaters in row x have been on
CCB version	Version of the control system software
UIM version	Version of the display software

Fig. Display - Appliance Information

Appliance Information							
Total time	52d17h6m						
TT Heating	2d10h31m						
Total Cycles Counter	274						
Row 1 Cycles	305						
Row 1 act.	2d10h24m						
Row 2 Cycles	42						
-----							
Row 2 act.	7h31m						
Row 3 Cycles	25						
Row 3 act.	4h39m						
CCB Version	X.XX						
UIM Version	X.XX.XX						
<table border="1" style="width: 100%;"> <tr> <td style="width: 33%;"></td> <td style="width: 33%; text-align: center;">BACK</td> <td style="width: 33%;"></td> </tr> <tr> <td></td> <td></td> <td style="text-align: center;">HELP</td> </tr> </table>			BACK				HELP
	BACK						
		HELP					

## 9.8

### Error history

From the main menu, you can open the **Error History** submenu. The **Error History** submenu shows the 9 most recent errors of the water heater and the point of time of these errors. Press the error to open the information about that specific error.

Fig. Display - Error History

Error History							
1:	XXXXXXXXXXXXXXXXXXXX (XXX) > XXdXXhXXm ago						
2:	XXXXXXXXXXXXXXXXXXXX (XXX) > XXdXXhXXm ago						
3:	XXXXXXXXXXXXXXXXXXXX (XXX) > XXdXXhXXm ago						
-----							
4:	XXXXXXXXXXXXXXXXXXXX (XXX) > XXdXXhXXm ago						
5:	XXXXXXXXXXXXXXXXXXXX (XXX) > XXdXXhXXm ago						
<table border="1" style="width: 100%;"> <tr> <td style="width: 33%;"></td> <td style="width: 33%; text-align: center;">BACK</td> <td style="width: 33%;"></td> </tr> <tr> <td></td> <td></td> <td style="text-align: center;">HELP</td> </tr> </table>			BACK				HELP
	BACK						
		HELP					

Fig. Display error information

Press **[BACK]** to return to the previous screen.

## 9.9 Error occurrence

From the main menu, you can open the **Error Occurrence** submenu. The **Error Occurrence** submenu shows the number of errors for each error category.

Fig. Display - Error Occurrence

Error Occurrence		
High-limit thermostat	0	▲
No current detected	0	
Tank temperature probe	0	
Power supply error	0	
CCB hardware	0	
Model error	0	
-----		
CCB Communications	0	▼
	BACK	HELP

Press **[BACK]** to return to the previous screen.

## 9.10 Restore default

From the **Main menu**, you can open the **Restore Default** submenu. On the **Restore Default** submenu you can restore the settings to the factory default settings.

Fig. Display - Restore default

Restore Defaults		
Are you sure you want to restore the system to the factory defaults?		
Yes		No

Press **[Yes]** to confirm or **[No]** to return to the previous screen.





# 10

# Maintenance

The water heater needs maintenance at least once a year. The maintenance interval is determined by the water quality, the average operation hours each day and the set water temperature.

To determine the correct interval, A.O. Smith recommends to do a system check three months after installation.



---

**Note**

Do maintenance to maintain an effective and efficient transfer of heat to the water. This significantly increases the service life of the water heater.

**Note**

When needed, spare parts can be ordered. To be sure that you receive the correct spare parts, look at the data plate for the full serial number and the water heater model. Use this information when you order the spare parts.

---

Do the following maintenance activities:

- [Preparation](#) (see 10.1)
- [Water-side maintenance](#) (see 10.2)
- [Performance check](#) (see 10.3)
- [Finalization](#) (see 10.4)

## 10.1

### Preparation

Isolate the water heater from the mains before you start maintenance tasks.

## 10.2

### Water-side maintenance

To do water side maintenance:

- [Inspect the anode](#) (see 10.2.1)
- Descale the tank

### 10.2.1

#### Inspect the anode

The life cycle of the anode is determined by the quality and the quantity of the water that flows through the water heater. Inspect the anode at least once a year to make sure that the tank is protected against corrosion.

To inspect the anode:

1. Close the stop valve in the cold water supply.
2. Open the nearest hot water tap to reduce the water pressure in the water heater.
3. Use a wrench to loosen the anode.
4. Take the anode out of the water heater.

5. Inspect the volume of the anode. When the anode is consumed for 60 % or more, replace the anode.



**Note**

If the anode needs to be replaced, always use an anode of the same type. Please refer to the type and the serial number on the data plate.

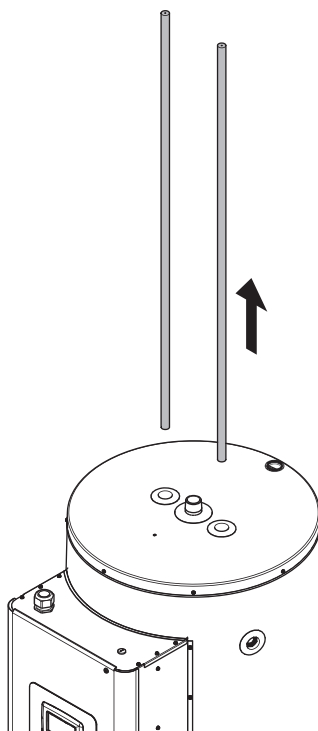
6. Place the anode in the water heater.
7. Use a wrench to fasten the anode. Make sure that the connection is watertight.



**Note**

Never install an anode isolated from the metal tank.

Fig. Inspect the anode



### 10.2.2

### Descale the tank



**Note**

Hard water may cause the formation of limescale, which will reduce the operating efficiency and may cause early product failure. Failure of the water heater due to limescale or other deposits would not be classed as manufacturing defect and as such would not be covered under the terms of the warranty (on page 3).

**Note**

Before reassembly replace the gaskets. You must order these gaskets at your supplier. Look at the data plate for the correct ordering information.

To descale and clean the tank:

1. Decommission the water heater (see 8.7).
2. Open the door of the water heater.



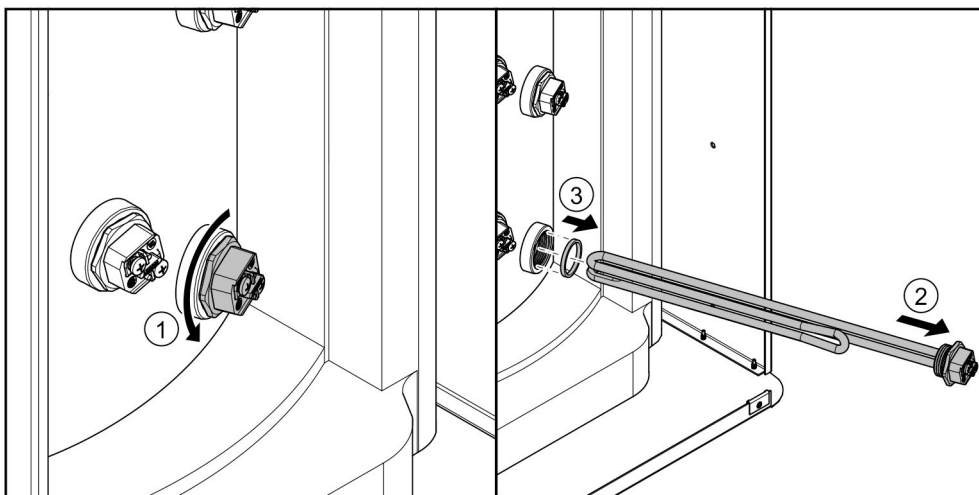
**Warning**

Live cables inside! Switch off the power supply completely (on local isolator) before opening the outer door to access the electrical components.

3. Remove the isolating material.

4. Remove the lowest heating element:
  - a) Loosen electrical wires earth (A) and live (L) on the element.
  - b) Loosen the heating element.
  - c) Take the heating element out of the water heater.  
Carefully store the heating element.
5. Inspect the tank on limescale through the opening.
6. When there is lime scale:
  - a) Remove the following heating elements.  
Start at the lowest heating element.
  - b) Use a descaling agent to remove the scale and contamination. Contact the supplier of your water heater for advice on what descaling agent to use.
7. Clean the heating elements.
8. Replace the gasket.
9. Measure the resistance value between the two connections of each heating element.  
The value needs to be approximately 19 +/- 4 Ohm for 3 kW elements and 10 +/- 2 Ohm for 6 kW elements.
10. Install all heating elements:
  - a) Place the element in the tank.
  - b) Tighten the heating element.
  - c) Attach the electrical wires earth (A) and live (L) on the element.
11. Install the isolating material.
12. Close the door.
13. Fill the water heater (see 8.6.1).

Fig. Remove a heating element



## 10.3

### Performance check

Make sure that the resistance value of each element is correct:

1. Open the door of the water heater.



#### Warning

Live cables inside! Switch off the power supply completely (on local isolator) before opening the outer door to access the electrical components.

2. Remove the isolating material.
3. Measure the resistance value between the two connections of each heating element.  
The value needs to be approximately 19 +/- 4 Ohm for 3 kW elements and 10 +/- 2 Ohm for 6 kW elements.

4. Replace the heating element when the resistance value is not correct.
  - a) Decommission the water heater (see 8.7).
  - b) Loosen electrical wires earth (A) and live (L) on the element.
  - c) Loosen the heating element.
  - d) Take the heating element out of the water heater.
  - e) Place a new element in the tank.
  - f) Tighten the heating element.
  - g) Attach the electrical wires earth (A) and live (L) on the element.
5. Make sure that all wiring is installed correctly.
6. Make sure that all electrical screw connections are tightened.
7. Install the isolating material.
8. Close the door.
9. If necessary, fill the water heater (see 8.6.1).

## 10.4

### Finalization

When all maintenance activities are done:

1. If necessary, fill the water heater (see 8.6.1).
2. Turn on the water heater (see 4.1).
3. Check if the performance of all components is correct:
  - a) Make sure that the water heater operates the operating cycle correctly.
  - b) If applicable, make sure that the T&P valve operates correctly.  
Open the T&P valve pressure relief and make sure that water spurts out.



---

**Warning**

Hot water can come out of the T&P valve.

---

- c) Make sure the pressure relief connection of the expansion valve operates correctly.  
Open this pressure relief and make sure that water spurts out.

# 11 Troubleshooting

## 11.1 Errors and warnings

The water heater can have three different kinds of errors:

- General errors, which are not displayed
- Displayed errors (see 11.1.2), which are divided in two different groups:
  - Lock out errors: when the cause is removed, you can reset the error to resume operation. The code is displayed continuously and the exclamation mark blinks.
  - Blocking errors: when the cause is removed, the error resets automatically to resume operation. The code is displayed continuously and the exclamation mark blinks.
- Displayed warnings (see 11.1.3)



### Note

It is possible to view the error history of the water heater, refer to [Error history](#) (see 9.8).

### 11.1.1

#### General errors



### Note

For the coding of the connections, refer to the [Electrical wiring diagram](#) (see A.5).

Indication	Cause	Measure
Water leakage	There is a leakage from a threaded water connection.	Tighten the threaded connection.
	There is a leakage from another nearby water heater or pipe segment.	Trace the leakage.
	There is a leakage from the water heater tank.	Contact the supplier of your water heater.

Indication	Cause	Measure
<b>Insufficient or no hot water</b>	The water heater is off.	Turn on the water heater (see 4.1).
	The temperature is set too low.	Set the setpoint higher.
	There is no supply voltage.	Make sure that: <ul style="list-style-type: none"> <li>the isolator is in <b>ON</b> position.</li> <li>there is power on the isolator.</li> <li>there is power to the electrical connector block.</li> </ul> The measured voltage must be 400 V <sub>AC</sub> (-15%, +10%).
	The hot water supply is used up.	Reduce the hot water consumption. Wait until the water heater heats up.
	A safety device is activated.	<ul style="list-style-type: none"> <li>Make sure that the voltage between the connections of the heating elements is 230VAC (-15%, +10%).</li> <li>Refer to indication "A safety device is activated", next page.</li> </ul>
<b>Earth leakage circuit breaker is out</b>	There is not enough water in the tank.	<ul style="list-style-type: none"> <li>Make sure that the water heater is filled with water.</li> </ul>
	One of the heating elements is defective.	<ul style="list-style-type: none"> <li>Measure the resistance value between each heating element connection and the outside of the tank. The value must be infinite.</li> <li>Determine which element is defective.</li> </ul>
<b>A safety device is activated</b>	The main safety thermostat (G1) is activated	<ul style="list-style-type: none"> <li>Make sure the water heater is completely filled.</li> <li>Tap off water, so the temperature drops in the water heater.</li> <li>Make sure all connections are connected correctly (refer to the wiring diagram).</li> <li>Use the white button to manually reset the thermostat.</li> <li>If necessary, replace the safety thermostat (G1).</li> </ul>
	The row safety thermostat (G2) is activated.	<ul style="list-style-type: none"> <li>Tap off water, so the temperature drops in the water heater.</li> <li>Make sure all connections are connected properly (refer to the wiring diagram).</li> <li>Use the red button to manually reset the thermostat.</li> <li>If necessary, replace the safety thermostat (G2).</li> </ul>

### 11.1.2

### Displayed errors



**Note**

For the coding of the connections, refer to the [Electrical wiring diagram](#) (see A.5).

**Note**

Contact your service and maintenance engineer if the error persists.

**Note**

Each error has a code and a description. The code has 7 characters: XXX-XXXX. When the water heater has an error, the two digits before the dash (XXX-XXXX) are important to pinpoint the error.

Code and description	Cause	Measure
<b>045</b> <b>(Blocking error)</b> <b>Sensor error</b> Top sensor short	Sensor is not (correctly) connected.	<ul style="list-style-type: none"> <li>Make sure that the connector is connected to J5 Pin 2 and 3.</li> <li>Make sure that the wire is connected to the sensor.</li> </ul>
	Damaged wiring and/or defective sensor.	Replace the wiring and/or the sensor.
<b>047</b> <b>(Blocking error)</b> <b>Sensor error</b> Top sensor open	Short circuit in the sensor circuit.	Replace the wiring and/or the sensor.
<b>0A5</b> <b>(Lock out error)</b> <b>Temperature error</b> Max. temperature exceeded (or thermal fuse activated)	The main safety thermostat (G1) is activated.	<ul style="list-style-type: none"> <li>Make sure the water heater is completely filled.</li> <li>Tap off water, so the temperature drops in the water heater.</li> <li>Make sure all connections are connected correctly, refer to the <a href="#">electrical wiring diagram</a> (see A.5).</li> <li>Use the white button to manually reset the thermostat.</li> <li>If necessary, replace the safety thermostat (G1).</li> <li>Cycle power to the water heater to reset the error.</li> </ul>
	The thermal fuse broke the control circuit.	<ul style="list-style-type: none"> <li>Check what caused the excessive heat rise of the element area.</li> <li>Measure the resistance value over the thermal fuse. The value needs to be &lt;5 Ohm.</li> <li>If necessary, replace the thermal fuse wiring.</li> <li>Cycle power to the water heater to reset the error.</li> </ul>
<b>4F1</b> <b>(Blocking error)</b> <b>Communication error</b> No communication between control board and display board.	Wiring is damaged.	<ul style="list-style-type: none"> <li>Make sure that the wiring, between the control board and the display board, is connected and not damaged.</li> <li>If necessary, reconnect or replace the wiring.</li> </ul>

Code and description	Cause	Measure
<b>031 - 038</b> <b>(Blocking error)</b> <b>Power supply error</b>  Problem with power supply	Supply voltage not correct.	The measured voltage must be 400 VAC (-15%, +10%).
	Voltage to the control board not correct.	<ul style="list-style-type: none"> <li>• Make sure that the wiring of the 400-28VAC transformer (E) is connected and not damaged.</li> <li>• Check the transformer fuse (F2).</li> </ul> The measured voltage to the control board must be 28 VAC (-15%, +10%).
<b>XXX</b> <b>(Lock out error)</b> <b>Control error</b>  Hardware failure	Internal error message from the controller.	<ul style="list-style-type: none"> <li>• Cycle power to the water heater to reset the error.</li> <li>• If the error persists, replace the controller.</li> </ul>

### 11.1.3

### Warnings



**Note**

For the coding of the connections, refer to the [Electrical wiring diagram](#) (see A.5).

Indication	Cause	Remark
<b>40D</b> <b>No current detected</b>  No current detected in one or more heating circuit(s).	Damaged wiring and/or defective heating element.	Do a <a href="#">performance check</a> . (see 10.3)
	Damaged wiring and/or defective current sensor.	<ul style="list-style-type: none"> <li>• Make sure the wiring of the element current sensors (D) is correct.</li> <li>• Replace the wiring and/or the sensor.</li> </ul>



To register your water heater, you can complete and return the enclosed warranty card. You can also register your water heater on-line through the A.O. Smith website.

## Article 1: General warranty

If, after verification and at the sole discretion of A.O. Smith, a component or part (with exclusion of the glass lined steel tank) of a water heater supplied by A.O. Smith proves within two years of the original installation date to be defective or fails to function correctly due to manufacturing and/or material defects, then A.O. Smith shall repair or replace this component or part.

## Article 2: Tank warranty

If, after inspection and at the sole discretion of A.O. Smith, the glass-lined steel tank of a water heater supplied by A.O. Smith proves within 3 years of the original installation date to be leaking due to rust or corrosion occurring on the water side, then A.O. Smith shall offer to replace the defective water heater with an entirely new water heater of equivalent size and quality. The warranty period given on the replacement water heater shall be equal to the remaining warranty period of the original water heater that was supplied. Notwithstanding that stated earlier in this article, in the event that unfiltered or softened water is used, or allowed to stand in the water heater, the warranty shall be reduced to one year from the original installation date.

## Article 3: Conditions for Installation and Use

The warranty set out in Articles 1 and 2 will apply solely under the following conditions:

- The water heater is installed under strict adherence to A.O. Smith installation instructions for the specific model, and the relevant government and local authority installation and building codes, rules and regulations in force at the time of installation.
- The water heater remains installed at the original site of installation.
- The water heater is used exclusively with drinking water, which at all times can freely circulate (a separately installed heat exchanger is mandatory for heating saline water or corrosive water).
- The tank is safeguarded against harmful scaling and lime build-up by means of periodic maintenance.
- The water temperatures in the heater do not exceed the maximum setting of the thermostats, which form a part of the water heater.
- The water pressure and/or heat load do not exceed the maximum values stated on the water heater rating plate.
- The water heater is installed in a non-corrosive atmosphere or environment.
- The water heater is connected to a protected cold water supply arrangement, which is approved by the relevant authority; with sufficient capacity for this purpose; supplying a water pressure not greater than the working pressure stated on the water heater; and where applicable by a likewise approved temperature and pressure relief valve; fitted in accordance with installation instructions of A.O. Smith applying to the specific model of water heater, and further in compliance with the government and local authority installation and building codes, rules and regulations.
- The water heater is at all times fitted with cathodic protection. If sacrificial anodes are used for this, these must be replaced and renewed when, and as soon as, they are 60% or more consumed. When power anodes are used, it is important to ensure that they continue to work properly.

#### Article 4: Exclusions

The warranty set out in Articles 1 and 2 will not apply in the event of:

- damage to the water heater caused by an external factor;
- misuse, neglect (including frost damage), modification, incorrect and/or unauthorised use of the water heater and any attempt to repair leaks;
- contaminants or other substances having been allowed to enter the tank;
- the conductivity of the water being less than 125  $\mu\text{S}/\text{cm}$  and/or the hardness (alkaline earth ions) of the water being less than 1.00 mmol/litre (see 8.2.3);
- unfiltered, recirculated water flowing through or being stored in the water heater;
- any attempts at repair to a defective water heater other than by an approved service engineer.

#### Article 5: Scope of the warranty

The obligations of A.O. Smith by virtue of the warranty provided do not extend beyond delivery free of charge from the warehouse of the parts or components or water heater to be replaced; transport, labour, installation and other costs associated with the replacement shall not be borne by A.O. Smith.

#### Article 6: Claims

A claim on grounds of the specified warranty must be submitted to the dealer from whom the water heater was purchased, or to another authorised dealer for A.O. Smith Water Products Company products. Inspection of the water heater as referred to in Articles 1 and 2 shall take place in one of the laboratories of A.O. Smith Water Products Company.

#### Article 7: Obligations of A.O. Smith

A.O. Smith grants no other warranty or guarantee over its water heaters nor the (assemblies or parts of) water heaters supplied for replacement, other than the warranty expressly set out in these Articles.

Under the terms of the supplied warranty, A.O. Smith is not liable for damage to persons or property caused by (assemblies or parts, or the glass-lined steel tank of) a (replacement) water heater that it has supplied.

# Index

## A

About the water heater.....	27
About this manual.....	7
Alarm output.....	42
Alarm output setup.....	55
Alarm setpoint .....	56
Ambient conditions .....	37
Appliance Status.....	50
Appliance information.....	59

## C

Circulation connection .....	40
Cold water connection.....	39
Commissioning.....	44
Compliance.....	4
Conditions.....	37
Contact information .....	6
Copyright.....	3

## D

Decommissioning.....	45
Descale the tank .....	64
Display.....	19, 47
Display buttons .....	20
Display settings.....	57
Displayed errors.....	68
Disposal.....	33
Document identification .....	8
Draining .....	45

## E

Economy Mode.....	51
Economy mode schedule.....	54
Electrical connections.....	40
Environmental aspects.....	33
Error history .....	60
Error occurrence.....	61
Errors and warnings .....	67
External ON/OFF.....	43

## F

Filling .....	44
Finalization.....	44, 66

## G

General errors.....	67
---------------------	----

## H

Hot water connection.....	40
Hysteresis.....	48

## I

Inspect the anode.....	63
Installation.....	37
Installation diagram.....	39
Installation, Maintenance and Service part.....	25
Instructions on the water heater.....	30
Interface .....	19
Introduction.....	15, 27

## L

Liability .....	3
-----------------	---

## M

Mains power.....	42
Maintenance.....	63
Maximum floor load.....	37

## N

Notation conventions .....	7
----------------------------	---

## O

OFF mode.....	21
ON mode.....	22
Operating modes.....	21
Operator interface.....	19

## P

Packaging.....	37
Performance check.....	65
Preface.....	3
Preparation.....	63

---

**R**

Recycling.....33  
Regulations ..... 4  
Restore default..... 61

---

**S**

Safety..... 17, 29  
Safety devices..... 31  
Safety instructions.....29  
Scope ..... 7  
Set the alarm output function..... 56  
Set the backlight delay.....58  
Set the display brightness..... 58  
Set the language.....59  
Set the time and day..... 53  
Set the unit of temperature..... 57  
Set the water temperature.....23  
Setpoint.....48  
Setpoint adjustment..... 52  
Settings..... 47  
Status of the water heater..... 21  
Structure of the water heater..... 35  
Symbols on the display..... 20

---

**T**

Tank sensor offset..... 50  
Target group .....7  
Temperatures.....48  
Trademark.....3  
Trademarks..... 3  
Troubleshooting.....67  
Turn off for a long period ..... 24  
Turn off for a short period ..... 24  
Turn off the water heater..... 24, 45  
Turn on the water heater..... 44

---

**U**

Use..... 23  
User part.....13

---

**W**

Warnings.....70  
Warranty.....71  
Water composition.....38  
Water connections..... 39  
Water heater ..... 35  
Water-side maintenance.....63  
Working clearances .....38  
Working principle .....27

# Voorwoord

## Copyright

Copyright © 2024 A.O. Smith Water Products Company

Alle rechten voorbehouden.

Niets uit deze uitgave mag gekopieerd, verveelvoudigd en/of openbaar worden gemaakt door middel van afdrucken, kopiëren of op welke ander wijze dan ook zonder de voorafgaande schriftelijke toestemming van A.O. Smith Water Products Company.

A.O. Smith Water Products Company behoudt zich het recht voor om specificaties in deze handleiding te wijzigen.

## Handelsmerken

Merknamen die in deze handleiding worden vermeld, zijn geregistreerde handelsmerken van de respectieve eigenaren.

## Garantie

Raadpleeg de bijlage [Garantie](#) (zie 12) voor informatie over de garantievoorwaarden.

## Aansprakelijkheid

### Gebruiker

A.O. Smith is niet aansprakelijk voor het onjuiste gebruik van de boiler. De gebruiker moet:

- deze handleiding zorgvuldig lezen en de instructies opvolgen;
- de installateur vragen om advies voor het gebruik van de boiler;
- ervoor zorgen dat service en onderhoud worden uitgevoerd door een gekwalificeerde monteur.
- Bewaar de handleiding in goede staat bij de boiler.

### Installateur

A.O. Smith is niet aansprakelijk voor het onjuiste gebruik van de boiler. De installateur moet:

- deze handleiding zorgvuldig lezen en de instructies opvolgen;
- ervoor zorgen dat de volledige installatie van de boiler voldoet aan de geldende [voorschriften](#) (op pagina 77);
- de boiler testen voordat de installatie in gebruik wordt genomen;
- het juiste gebruik uitleggen aan de gebruiker;
- de gebruiker op de hoogte brengen wanneer service- en onderhoudsactiviteiten moeten worden uitgevoerd;
- alle relevante handleidingen overdragen aan de gebruiker.

## Leverancier

De DRE PLUS-boiler is ontworpen in overeenstemming met de geldende voorschriften. De boiler wordt geleverd met conformiteits-markering en alle noodzakelijke documentatie voor het voldoen aan deze voorschriften. Zie het gedeelte Conformiteit.

A.O. Smith aanvaardt geen aansprakelijkheid voor claims van derde partijen wanneer:

- de instructies voor het op de juiste manier installeren van de boiler niet worden nageleefd;
- de instructies voor het op de juiste manier gebruiken van de boiler niet worden nageleefd;
- de boiler niet is onderhouden na het toepasselijke onderhoudsinterval.

Raadpleeg de Algemene verkoopvoorwaarden voor meer informatie. Deze zijn gratis op verzoek verkrijgbaar.

Wij geloven dat deze handleiding u accurate en volledige beschrijvingen biedt van alle relevante onderdelen. Neem contact op met A.O. Smith wanneer u toch fouten of onjuistheden in deze handleiding aantreft. Op deze manier kunnen wij onze documentatie verbeteren.

## Conformiteit

Om op een veilige manier warm water voor huishoudelijk gebruik te produceren, zijn het ontwerp en de constructie van de DRE PLUS-boilers in overeenstemming met:

- de Europese Laagspanningsrichtlijn 2014/35/EU (LVD)
- de Europese EMC-richtlijn 2014/30/EU (Elektromagnetische compatibiliteit )
- de Europese RoHS II-richtlijn 2011/65/EU en RoHS III- richtlijn 2015/863/EU
- de Europese Ecodesign-richtlijn 2009/125/EC (ErP)

Raadpleeg de bijlage Conformiteitsverklaring.

## Voorschriften

Als installateur, onderhoudsmonteur of gebruiker dient u er zeker van te zijn dat de gehele boilerinstallatie voldoet aan de plaatselijke:

- bouwvoorschriften
- richtlijnen voor bestaande elektrische installaties, geleverd door uw energieleverancier
- richtlijnen voor (elektrische) installaties en betreffende richtlijnen voor het gebruik ervan
- richtlijnen voor drinkwater
- richtlijnen voor de afvoer van afvalwater in gebouwen
- richtlijnen van de brandweer, de energieleveranciers en de gemeente

De installatie moet voldoen aan de installatievoorschriften van de fabrikant.



---

### Opmerking

Alle voorschriften, vereisten en richtlijnen kunnen zijn aangevuld en/of gewijzigd op het moment van installatie.

---

## Contactinformatie

Wanneer u opmerkingen of vragen heeft, kunt u contact opnemen met:

A.O. Smith Water Products Company

Adres: Postbus 70  
5500 AB Veldhoven  
Nederland

Telefoon: +31 (0) 40 294 25 00

E-mail: [info@aosmith.com](mailto:info@aosmith.com)

Website NL: [www.aosmith.nl](http://www.aosmith.nl)

Website BE: [www.aosmith.be](http://www.aosmith.be)

Neem contact op met uw energie- of waterleverancier wanneer er problemen zijn met uw elektriciteit-, of watertoevoeraansluitingen.



# Informatie over deze handleiding

## Inhoud

Deze handleiding geeft informatie over een veilig en juist gebruik van de boiler en hoe deze op een goede manier moet worden geïnstalleerd en onderhouden. De instructies in deze handleiding dienen te worden nageleefd.



---

### Let op

Lees deze handleiding eerst zorgvuldig door voordat u de boiler start. Wanneer u de handleiding niet leest en/of de instructies niet naleeft, kan dit persoonlijk letsel en beschadiging van de boiler veroorzaken.

---

In deze handleiding:

- worden de werking en de indeling van de boiler beschreven
- worden de veiligheidsvoorzieningen uitgelegd
- worden mogelijke gevaren benadrukt
- wordt het gebruik van de boiler beschreven
- wordt de installatie en het onderhoud van de boiler beschreven

Deze handleiding bestaat uit twee gedeeltes:

- Een gedeelte voor de gebruiker waarin het juiste gebruik van de boiler wordt beschreven.
- Een gedeelte over de installatie en het onderhouden van de boiler waarin de juiste procedures hiervoor worden beschreven.

## Doelgroep

De informatie in deze handleiding is van toepassing op drie doelgroepen:

- gebruikers
- installatiemonteurs
- onderhoudsmonteurs

Het gedeelte voor de gebruiker is bedoeld voor de (eind)gebruikers. Het gedeelte over de installatie en het onderhouden van de boiler is bedoeld voor de installatie- en onderhoudsmonteurs.

## Notatieconventies

In deze handleiding worden de volgende conventies voor tekst gebruikt:

- Cijfers tussen haakjes, bijvoorbeeld (1), verwijzen naar onderdelen in een afbeelding die in de tekst worden beschreven.
- Kruisverwijzingen naar paragrafen, tabellen, afbeeldingen enzovoort worden onderstreept en geschreven als (zie "..."). In de digitale versie werken de kruisverwijzingen als hyperlinks die u kunt gebruiken om door de handleiding te bladeren wanneer u erop klikt. Voorbeeld: [Veiligheid](#) (zie 2).

Deze handleiding bevat de volgende tekststijlen/symbolen om situaties aan te geven die gevaarlijk kunnen zijn voor gebruikers/monteurs, schade aan apparatuur kunnen veroorzaken of wanneer extra moet worden opgelet:



---

**Opmerking**

Een opmerking geeft meer informatie over een onderwerp.

---



---

**Let op**

Neem de let op instructies in acht om beschadiging van de boiler te voorkomen.

---



---

**Waarschuwing**

Neem de waarschuwing in acht om persoonlijk letsel en ernstige beschadiging van de boiler te voorkomen.

---

## Documentaanduiding

Artikelnummer	Taal	Versie
0313853	NL	4.0

# Inhoudsopgave

<b>Voorwoord.....</b>	<b>75</b>
Copyright.....	75
Handelsmerken.....	75
Garantie.....	75
Aansprakelijkheid.....	75
Conformiteit.....	77
Voorschriften.....	77
Contactinformatie.....	78
<b>Informatie over deze handleiding.....</b>	<b>79</b>
Inhoud.....	79
Doelgroep.....	79
Notatieconventies.....	79
Documentaanduiding.....	80
<b>Gedeelte voor de gebruiker.....</b>	<b>85</b>
<b>1 Inleiding.....</b>	<b>87</b>
<b>2 Veiligheid.....</b>	<b>89</b>
<b>3 Bedieningspaneel.....</b>	<b>91</b>
3.1 Bedieningspaneel.....	91
3.1.1 Display.....	91
3.1.2 Displayknoppen.....	92
3.2 Status van de boiler.....	93
3.2.1 Bedrijfsmodi.....	93
3.2.2 Storingstoestanden.....	94
<b>4 Gebruik.....</b>	<b>95</b>
4.1 De boiler inschakelen.....	95
4.1.1 Watertemperatuur instellen.....	95
4.2 De boiler uitschakelen.....	96
4.2.1 De boiler kortstondig uitschakelen.....	96

4.2.2	De boiler voor een lange periode uitschakelen.....	96
-------	--	----

## **Gedeelte over de installatie en het onderhoud..... 97**

<b>5</b>	<b>Inleiding.....</b>	<b>99</b>
5.1	Informatie over de boiler.....	99
5.2	Werkingsprincipe.....	99
<b>6</b>	<b>Veiligheid.....</b>	<b>101</b>
6.1	Veiligheidsinstructies.....	101
6.2	Instructies op de boiler.....	102
6.3	Veiligheidsvoorzieningen.....	103
6.4	Milieu-aspecten.....	105
6.4.1	Recyclen.....	105
6.4.2	Afvoeren.....	105
<b>7</b>	<b>Boiler.....</b>	<b>107</b>
7.1	Opbouw van de boiler.....	107
<b>8</b>	<b>Installatie.....</b>	<b>109</b>
8.1	Verpakking.....	109
8.2	Omgeving.....	109
8.2.1	Omgevingsomstandigheden.....	109
8.2.2	Maximale vloerbelasting.....	109
8.2.3	Watersamenstelling.....	110
8.2.4	Ruimte voor werkzaamheden.....	110
8.3	Aansluitschema.....	111
8.4	Wateraansluitingen.....	111
8.4.1	Koudwateraansluiting.....	111
8.4.2	Warmwateraansluiting.....	112
8.4.3	Circulatie-aansluiting.....	112
8.5	Elektrische aansluitingen.....	112
8.5.1	Vorbereiding.....	113
8.5.2	Netvoeding.....	114
8.5.3	alarmuitgang.....	114
8.5.4	Externe aan/uit.....	115
8.5.5	Afronden.....	116
8.6	Inbedrijfstelling.....	116
8.6.1	Vullen.....	116
8.6.2	Schakel de boiler in.....	116
8.7	Buitengebruikstelling.....	117

- 8.7.1 De boiler uitschakelen..... 117
- 8.7.2 Aftappen..... 117
- 9 Instellingen..... 119**
  - 9.1 Display..... 119
  - 9.2 Temperaturen..... 120
    - 9.2.1 Setpoint..... 120
    - 9.2.2 Hysterese..... 120
    - 9.2.3 Offset tanksensor..... 122
  - 9.3 Toestelstatus..... 122
  - 9.4 Ecostand..... 123
    - 9.4.1 Setpoint aanpassing..... 124
    - 9.4.2 Stel de tijd en datum in..... 125
    - 9.4.3 Schema ecostand..... 126
  - 9.5 Setup alarmuitgang..... 127
    - 9.5.1 De uitgang functie alarm instellen..... 128
    - 9.5.2 Setpoint alarm..... 128
  - 9.6 Scherm instellingen..... 129
    - 9.6.1 De temperatuurseenheid instellen..... 129
    - 9.6.2 De helderheid van het display instellen..... 130
    - 9.6.3 Scherm licht aan instellen..... 130
    - 9.6.4 Taal instellen..... 131
  - 9.7 Toestelinformatie..... 131
  - 9.8 Storingsgeschiedenis..... 132
  - 9.9 Storingsaantallen..... 133
  - 9.10 Standaardinstellingen herstellen..... 133
- 10 Onderhoud..... 135**
  - 10.1 Voorbereiding..... 135
  - 10.2 Waterzijdig onderhoud..... 135
    - 10.2.1 Inspecteer de anode..... 135
    - 10.2.2 De tank ontkalken..... 136
  - 10.3 Prestatie controleren..... 138
  - 10.4 Afronden..... 138
- 11 Storingen..... 139**
  - 11.1 Storingen en waarschuwingen..... 139
    - 11.1.1 Algemene storingen..... 139
    - 11.1.2 Weergegeven storingen..... 141
    - 11.1.3 Waarschuwingen..... 142

<b>12</b>	<b>Garantie.....</b>	<b>143</b>
	<b>Index.....</b>	<b>145</b>

**NL**

# Gedeelte voor de gebruiker





# 1

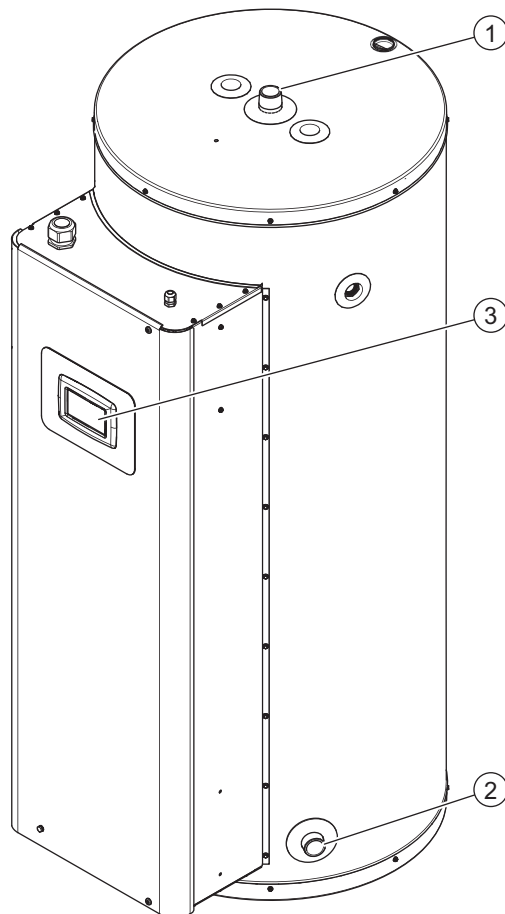
## Inleiding

De DRE PLUS-boiler slaat water op en verwarmt water voor sanitaire doeleinden.

Koud water stroomt via de waterinlaat (2) de tank binnen. Het verwarmde water verlaat de tank aan de bovenzijde via de warmwateruitlaat (1). Wanneer heet water wordt gebruikt, wordt de tank van de boiler gevuld met dezelfde hoeveelheid koud water.

Om de boiler te bedienen, worden het display (3) gebruikt.

*Afb. DRE PLUS-boiler*



- 1. Wateruitlaat
- 2. Waterinlaat
- 3. Display



A.O. Smith kan niet aansprakelijk worden gesteld voor schade of letsel veroorzaakt door:

- Het niet opvolgen van de instructies in deze handleiding.
- Onzorgvuldig handelen tijdens het gebruik of het onderhouden van de boiler.

Iedere gebruiker moet het gedeelte voor de gebruiker in deze handleiding bestuderen en de instructies die in dit gedeelte van de handleiding worden gegeven strikt naleven. De volgorde van de beschreven handelingen mag niet worden gewijzigd. Deze handleiding moet te allen tijde beschikbaar zijn voor de gebruiker en de onderhoudsmonteur.



---

### Waarschuwing

Als u een brandlucht waarneemt:

- Schakel de hoofdvoeding uit.
- Waarschuw de hulpdiensten



---

### Let op

Sla geen chemische stoffen op en gebruik deze niet in de ruimte waar de boiler is geïnstalleerd om dat deze stoffen een explosie en roesten van de boiler kunnen veroorzaken. Sommige drijfgassen, bleekmiddelen en ontvettingsmiddelen enzovoort kunnen explosieve dampen afgeven en/of de boiler sneller doen roesten. Wanneer de boiler wordt gebruikt in een ruimte waar dergelijke substanties zijn opgeslagen of worden gebruikt, vervalt de garantie.

### Let op

De installatie en het onderhoud mogen alleen worden uitgevoerd door een gekwalificeerde monteur.

### Let op

De boiler mag niet worden gebruikt door personen met verminderde fysieke, zintuiglijke of mentale vermogens, of door personen die niet over de benodigde ervaring of kennis beschikken. Wanneer de persoon die verantwoordelijk is voor de veiligheid van deze personen toezicht houdt of heeft uitgelegd hoe de boiler moet worden gebruikt, mogen deze personen de boiler gebruiken.

### Let op

Deze boiler mag niet worden gebruikt door kinderen jonger dan 16 jaar. Houd altijd toezicht op kinderen en zorg ervoor dat deze niet met de boiler kunnen spelen.



---

### Opmerking

Regelmatig onderhoud verlengt de levensduur van de boiler. Om het juiste onderhoudsinterval te bepalen, moet de onderhoudsmonteur drie maanden na de installatie van de boiler deze controleren. Op basis van deze controle kan het beste onderhoudsinterval worden bepaald.

---



# 3

# Bedieningspaneel

## 3.1

## Bedieningspaneel

De bedieningsinterface bestaat uit een (touchscreen) display voor het navigeren door de menu's, weergegeven van storingen en invoeren van instellingen, functies en waarden.

Het display is volledig menugestuurd. De gebruiker kan instellingen wijzigen en kan de status en de geschiedenis van de boiler controleren.

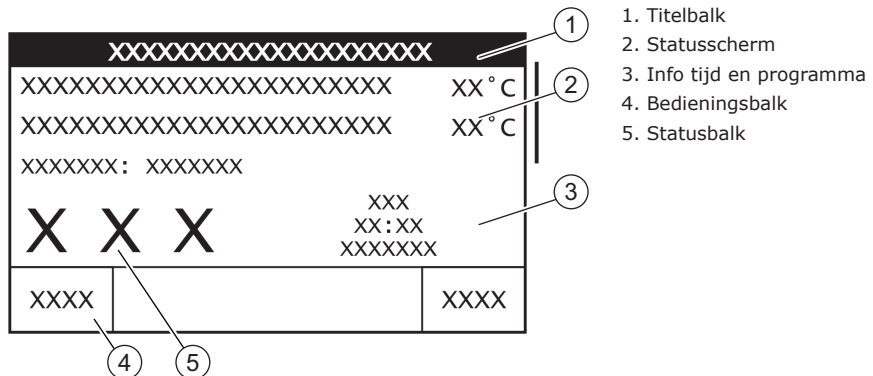
### 3.1.1

### Display

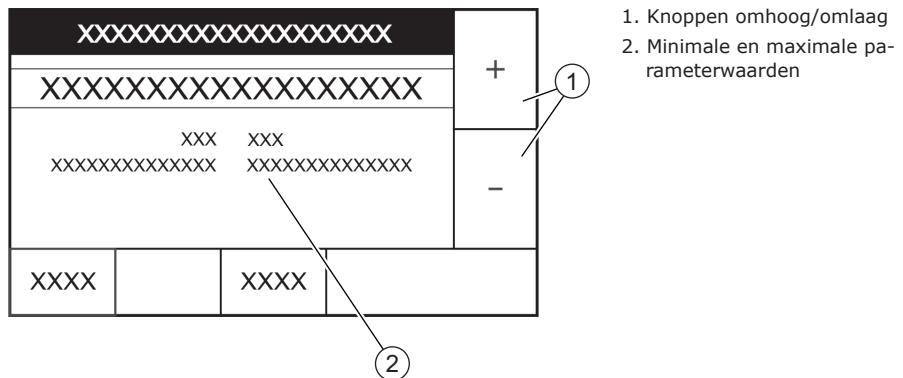
Op het display kunnen twee schermen worden weergegeven:

- Een startscherm met tekst en symbolen die de actuele status van de boiler aangeven.
- Een bedieningsscherm met meer informatie over de boiler en de mogelijkheid om instellingen te wijzigen.

Afb. Display – startscherm



Afb. Display – bedieningsscherm



### 3.1.1.1

### Symbolen op het display

De symbolen op het display geven visuele informatie over de status van de boiler.

Symbol	Omschrijving
	Er is een warmtevraag.
	De watertemperatuur stijgt.
	Einde van waterverwarming (stand-by).
	De watertemperatuur daalt.
	De boiler kan de opwarmcyclus niet starten.
	De verwarmingselementpictogrammen voor een boiler met een, twee of drie rijen met elementen. De open cirkels staan voor de verwarmingselementen die niet onder stroom staan.
	Het verwarmingselementpictogram voor een boiler met een, twee of drie rijen met elementen. De gevulde cirkels staan voor de verwarmingselementen die onder stroom staan.
	Het verwarmingselementpictogram voor een boiler met een, twee of drie rijen met elementen. De cirkels met een kruis staan voor de verwarmingselementen die zonder stroom geactiveerd zijn.
	Het besturingssysteem staat in de verwarmingsmodus.
	Storing.
	Waarschuwing.

### 3.1.2

### Displayknoppen

Met de knoppen op het display kunt u het menu van de boiler openen.

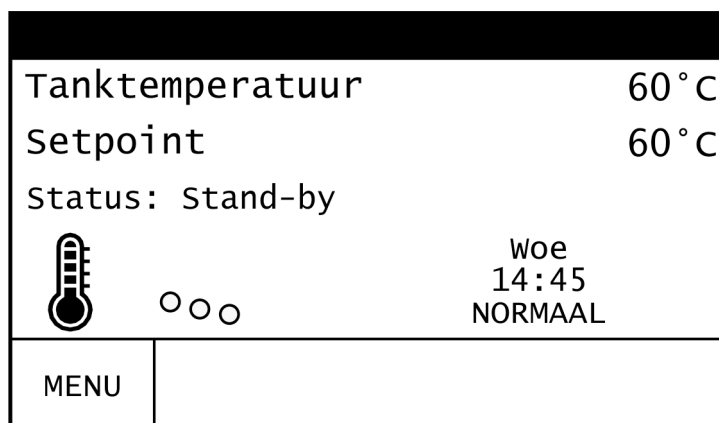
Knop	Functie
[MENU]	Ga naar menu
[TERUG]	Een stap terug in het menu Gewijzigde instellingen worden niet opgeslagen

Knop	Functie
[AKKOORD]	Gewijzigde instellingen opslaan
[+]	Waarde omhoog
[-]	Waarde omlaag
[>]	Submenu openen
[▲]	Omhoog scrollen / Omhoog
[▼]	Omlaag scrollen / Omlaag

## 3.2 Status van de boiler

Wanneer de boiler in bedrijf is, toont het display de status van de boiler.

Afb. Display



De volgende statusteksten kunnen op het display worden weergegeven:

Statustekst	Uitleg
<b>Stand-by</b>	De boiler verwarmt niet omdat er geen warmtevraag is.
<b>Opwarmen</b>	De boiler verwarmt water.
<b>Storing</b>	De opwarmcyclus is gestopt omdat de besturing een storing heeft gedetecteerd.

### 3.2.1 Bedrijfsmodi

De DRE PLUS beschikt over 3 bedrijfsmodi:

- [OFF-modus](#) (zie 3.2.1.1)
- [ON-modus](#) (zie 3.2.1.2)
- [Spaarmodus](#) (zie 3.2.1.3)

#### 3.2.1.1 OFF-modus

In de **UIT-modus** is de boiler uitgeschakeld. Neem contact op met uw onderhoudsmonteur wanneer u deze functie wilt gebruiken.

In de **UIT-modus** is de boiler niet beschermd tegen vorst.

De boiler in de OFF-modus overschakelen:

1. Open de externe aan-/uit-ingangen 1 en 2 (zie 8.5).

### 3.2.1.2

#### ON-modus

In de **ON-modus** reageert de boiler voortdurend op de warmtevraag. De elektrische verwarmingselementen worden geactiveerd wanneer er warmtevraag is.



##### Opmerking

De **ON-modus** is de standaard bedrijfsmodus wanneer de externe aan/uit-ingangen 1 en 2 niet worden gebruikt (beide ingangen zijn standaard kortgesloten). Dit betekent dat de verwarmingselementen geactiveerd worden wanneer de boiler op stroomvoorziening wordt aangesloten.

### 3.2.1.3

#### Ecostand

In de **Ecostand** reageert de boiler constant op de warmtevraag op basis van een gereduceerde setpoint (setpoint ECO). De setpoint ECO wordt bepaald door de setpoint ON-modus (zie 4.1.1) minus de setpoint aanpassing (zie 9.4).

De **Ecostand** kan op twee manieren worden geactiveerd:

- Gebruik van het weekprogramma in het menu Ecostand (zie 9.4). Dit is alleen het geval als de externe aan-/uit-ingangen 1 en 2 (zie 8.5) correct zijn ingesteld.
- Rechtstreeks gebruik van de externe aan-/uit-ingangen 1 en 2 (zie 8.5). Neem contact op met uw onderhoudsmonteur wanneer u deze functie wilt gebruiken.

### 3.2.2

#### Storingstoestanden

In geval van een storing of waarschuwing knippert het scherm en wordt een kleine beschrijving van de storing of waarschuwing weergegeven.

Druk op **[TERUG]** om terug te gaan naar het hoofdscherm. Het hoofdscherm toont een uitroepteken of een vraagteken in geval van een waarschuwing. In geval van storingen verandert de status in Storing.

*Afb. Storingsstatus*

Tanktemperatuur		35 °C
Setpoint		60 °C
Status: Fout: XXXXXXXXXXXXXXXX		
	ooo	Woe 18:45 NORMAAL
MENU		

Wanneer op het display een storing wordt weergegeven:

1. Schakel de schakelaar tussen de boiler en de stroomvoorziening uit en in om de boiler te resetten.



##### Opmerking

Neem contact op met uw onderhoudsmonteur of de leverancier wanneer de boiler niet opnieuw opstart, of als de storing opnieuw op het display wordt weergegeven.



# 4

# Gebruik

## 4.1

### De boiler inschakelen



**Let op**

Zorg dat de boiler is gevuld met water voordat u deze aanzet.

Schakel de schakelaar tussen de boiler en de stroomvoorziening in om de boiler te activeren.

### 4.1.1

#### Watertemperatuur instellen



**Let op**

Zet het temperatuursetpoint bij voorkeur op 60 °C. Schadelijke kalkaanslag en kalkafzetting- zal meer aanwezig zijn wanneer u het temperatuursetpoint instelt op 65°C en hoger. Bij een lagere temperatuur is het risico van legionellaconcentraties in het water groter.

Het setpoint van de temperatuur wijzigen:

1. Druk op **[Menu]** om het hoofdmenu te openen.



2. Open het submenu **Temperaturen**.

Temperaturen			
Setpoint	60 °C	>	▲
1st Hysterese	1 °C	>	■
2nd Hysterese	1 °C	>	■
3rd Hysterese	1 °C	>	■
Tanktemperatuur	60 °C	>	■
Offset tanksensor	0 °C	>	▼
		TERUG	HELP

3. Open het bedieningsscherm **Setpoint**.

Setpoint		+
60 °C		
MIN 32 °C	MAX 83 °C	-
AKKOORD	TERUG	

4. Stel het setpoint voor de watertemperatuur in:  
 a) Gebruik **[+]** om het setpoint te verhogen.  
 b) Gebruik **[-]** om het setpoint te verlagen.  
 5. Druk op **[AKKOORD]** om de waarde bevestigen of op **[TERUG]** om terug te gaan naar het vorige scherm.

## 4.2

## De boiler uitschakelen

### 4.2.1

### De boiler kortstondig uitschakelen

Om de boiler korter dan twee maanden uit te schakelen zet u deze in de **UIT-modus** (zie 3.2.1.1).



#### Opmerking

Als de boiler langer dan twee maanden in de **UIT-modus** blijft staan en er geen water wordt afgetapt, kunnen luchtbellens in de boiler ontstaan. Hierdoor kan er lucht in de waterleidingen komen.

### 4.2.2

### De boiler voor een lange periode uitschakelen

Neem contact op met uw onderhoudsmonteur wanneer de boiler langer dan twee maanden niet wordt gebruikt zodat deze de boiler buiten gebruik kan stellen.

# **Gedeelte over de installatie en het onderhoud**



# 5 Inleiding

## 5.1 Informatie over de boiler

De DRE PLUS-boiler is bedoeld om water te verwarmen voor sanitaire doeleinden.

De DRE PLUS is een elektrische boiler. De elektrische verwarmingselementen brengen hun warmte direct over op het water.

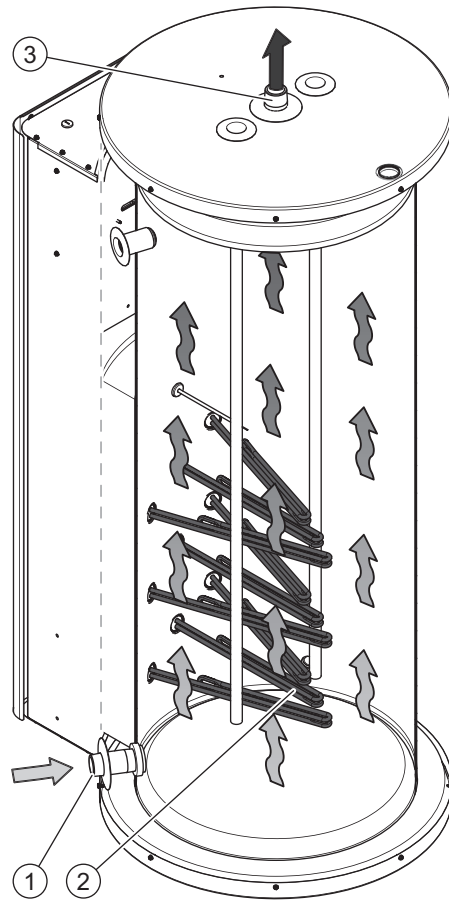
## 5.2 Werkingsprincipe

Koud water stroomt via de waterinlaat (1) de onderzijde van de tank binnen. De verwarmingselementen (2) brengen hun warmte rechtstreeks over op het water en het hete water verlaat de tank via de wateruitlaat (3) aan de bovenzijde van de tank. De tank van de boiler moet tijdens het in bedrijf zijn volledig zijn gevuld. De tank moet altijd minimaal onder de toevoerdruk van de hoofdwatervleiding blijven. Wanneer heet water de boiler verlaat, wordt direct koud water toegevoegd.

Afhankelijk van het model is de boiler voorzien van 1, 2, of 3 rijen van elk 3 verwarmingselementen. De DRE PLUS is voorzien van een temperatuursensor die de watertemperatuur aan de buitenkant van de tank meet. De sensor is aangesloten op het

besturingssysteem. Wanneer de watertemperatuur lager is dan de ingestelde temperatuur worden de verwarmingselementen geactiveerd en wordt het water verwarmd.

Afb. DRE PLUS-boiler



1. Waterinlaat
2. Verwarmingselementen
3. Wateruitlaat

# 6

# Veiligheid

NL

## 6.1

## Veiligheidsinstructies

Raadpleeg Veiligheid (zie 2) in het gedeelte voor de gebruiker in deze handleiding voor veiligheidsinstructies voor het gebruik van de boiler.



---

### Waarschuwing

De installatie en het onderhoud moet worden uitgevoerd door een gekwalificeerde monteur en volgens de algemene en lokale voorschriften van de water- en stroomleveringsbedrijven en de brandweer.

### Waarschuwing

De boiler moet op een niet-ontvlambare ondergrond worden geïnstalleerd.

### Waarschuwing

Haal de stekker van de boiler uit het stopcontact voordat u onderhouds- of reparatiewerkzaamheden uitvoert. Laat de boiler spanningsloos (geïsoleerd) tot deze in gebruik wordt genomen.

---



---

### Let op

De boiler mag alleen rechtop worden verplaatst. Controleer na het uitpakken van de boiler of deze niet is beschadigd.

### Let op

Vul voor gebruik de boiler volledig met water. Een 'droge' ontsteking beschadigt de boiler.

### Let op

De anodebescherming blijft actief wanneer de boiler in de OFF-modus staat.

### Let op

Er kan water uit de afvoerpijp van de overdrukrichting druppelen. Deze pijp moet in verbinding met de buitenlucht open blijven staan.

### Let op

Laat de overdrukrichting regelmatig werken om kalkaanslag te verwijderen en om te controleren of er geen sprake is van een blokkade.

### Let op

Bij de installatie van de boiler heeft u een inlaatcombinatie nodig. De inlaatcombinatie en bijhorende fittings worden niet meegeleverd. De inlaatcombinatie moet geschikt zijn voor een waterdrukniveau tot 800 kPa. Installeer de inlaatcombinatie zo dicht mogelijk bij de boiler.

---



---

### Waarschuwing

Installeer nooit een afsluiter of een terugslagklep tussen de inlaatcombinatie en de boiler.

---



---

**Let op**

De boiler heeft een vaste aansluiting op de waterleiding nodig. Sluit de boiler niet aan met een waterslang.

---

**Opmerking**

Eventuele lekkages van de tank en/of de aansluitingen kunnen schade veroorzaken aan de direct omgeving of de vloeren onder het niveau van de opstellingsruimte. Installeer de boiler boven een afvoer voor afvalwater of in een geschikte metalen lekbak.

De lekbak moet over een geschikte afvoer voor afvalwater beschikken, en moet minimaal 5 cm diep zijn en in de lengte en breedte minimaal 5 cm groter zijn dan de boiler.

**Opmerking**

De boiler wordt zonder voedingskabel en hoofdschakelaar geleverd.

Gebruik een voedingskabel met draden met de geschikte diameter op basis van de kabellengte en de stroom.

**Opmerking**

Selecteer en installeer een meerpolige schakelaar (overspanningscategorie III) met een contactopening van minstens 3 mm. De meerpolige- schakelaar moet overeenkomstig de bedradingsvoorschriften in de vaste bedrading worden verwerkt.

---

## 6.2

### Instructies op de boiler

Op de boiler zijn enkele veiligheidsinstructies aangebracht:

- De tekst "Lees de installatie-instructies voordat u het toestel wordt geïnstalleerd".
- De tekst "Lees de gebruikersinstructies voordat het toestel in bedrijf wordt genomen".
- De tekst "Live cables inside!" Switch off the power supply completely (on local isolator) before opening the outer door to access the electrical components." (Spanningvoerende delen aanwezig! Maak het toestel volledig spanningsloos (met de werkschakelaar) alvorens de buitendeur te openen om toegang te krijgen tot de elektrische componenten.)
- De tekst "Controleer alle elektrische schroefverbindingen vóór inbedrijfstelling en na inspectie- en onderhoudswerkzaamheden".
- De tekst "Monteer een geschikt temperatuur- en drukventiel in de daarvoor bedoelde aansluiting".
- De tekst "Monteer een drukreducerventiel in de koudwatertoevoer".
- De tekst "De garantie vervalt wanneer het toestel niet volgens de onderhoudsvoorschriften wordt onderhouden en wanneer de waterkwaliteit niet voldoet aan de voorschriften zoals vermeld in de installatiehandleiding".

Op de verpakking zijn ook enkele veiligheidsinstructies aangebracht:

- De tekst "Lees de installatie-instructies voordat het toestel wordt geïnstalleerd".
- De tekst "Lees de gebruikersinstructies voordat het toestel in bedrijf wordt genomen".
- Enkele veiligheidspictogrammen:

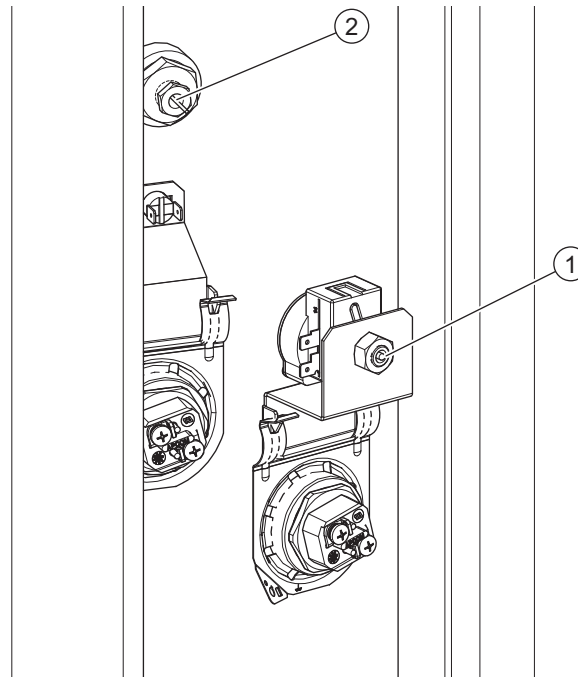
	CE-gemarkeerd
	UKCA-gemarkeerd
	Verpakkingen conform ISPM 15
	Lever het apparaat in bij een afvalinzamelingsdepot voor elektrische en elektronische apparatuur (zie 6.4.2)



## 6.3

## Veiligheidsvoorzieningen

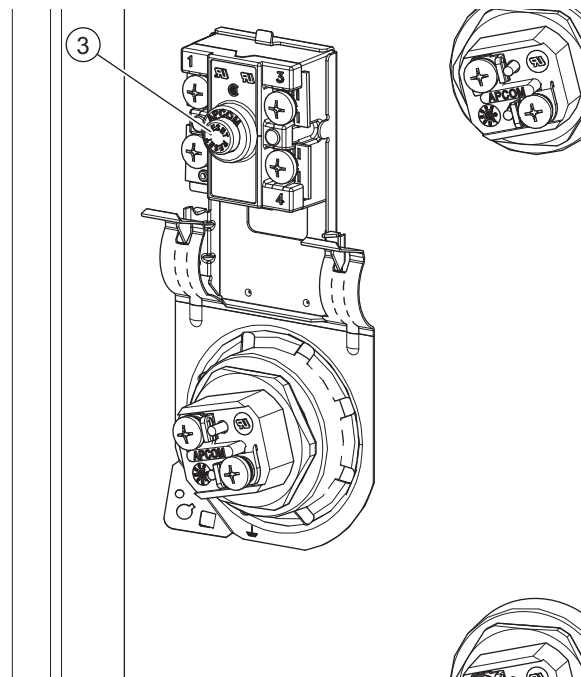
Afb. Hoofdveiligheidsthermostaat



1. Hoofdveiligheids-thermostaat - behuizing
2. Hoofdveiligheids-thermostaat - sensor

NL

Fig. Rij-veiligheidsthermostaat



3. Rij-veiligheidsthermostaat

## Veiligheidsvoorzieningen van de boiler:

<b>Hoofdveiligheids-thermostaat (G1)</b>	De hoofdveiligheidsthermostaat (G1) onderbreekt het regelcircuit wanneer de watertemperatuur te hoog is ( $>92^{\circ}\text{C} \pm 3^{\circ}\text{C}$ ). De hoofdveiligheidsthermostaat beschermt ook de verwarmingselementen als de boiler geactiveerd wordt terwijl deze niet met water is gevuld. De sensor van de hoofdveiligheidsthermostaat (G1) is boven het middenelement van de hoogste rij gemonteerd. U kunt de thermostaat met de witte knop resetten als de watertemperatuur is gedaald ( $<83^{\circ}\text{C}$ ). Zorg ervoor dat de boiler volledig is gevuld met water voordat u de thermostaat gaat resetten.
<b>Rij-veiligheids-thermostaat (G2)</b>	De rij-veiligheidsthermostaat (G2) onderbreekt het circuit (L1 en L2) van elke rij elementen als de watertemperatuur te hoog wordt ( $>93^{\circ}\text{C} \pm 3^{\circ}\text{C}$ ) als gevolg van een storing in het regelcircuit. U kunt de thermostaat met de rode knop resetten als de watertemperatuur is gedaald ( $<83^{\circ}\text{C}$ ).
<b>Thermische zekering</b>	De thermische zekering is in de bedrading van de hoofdveiligheidsthermostaat (G1) verwerkt en onderbreekt het regelcircuit als oververhitting van het elementgebied wordt gedetecteerd. De thermische zekering kan niet worden gereset. De complete bedrading, inclusief thermische zekering moet worden vervangen.

## Veiligheidsvoorzieningen van de installatie:

<b>Drukreducerventiel</b>	Het drukreducerventiel vermindert de druk van de waterleiding, indien nodig.
<b>T&amp;P-ventiel (temperatuur- en drukreducerventiel) (1)</b>	Het T&P-ventiel voorkomt een te hoge druk en te hoge temperatuur in de tank.

1- Alle installaties hebben een aansluiting voor een T&P-ventiel. Het gebruik van een T&P-ventiel is verplicht.

## 6.4

## Milieu-aspecten

### 6.4.1

### Recyclen



Het verpakkingsmateriaal is milieuvriendelijk, recyclebaar en relatief eenvoudig af te voeren.

NL

### 6.4.2

### Afvoeren



Oude toestellen die niet meer gebruikt worden, bevatten materialen die moeten worden gerecycled. Leef de lokale voorschriften voor het afvoeren van oude apparaten die niet meer gebruikt worden na.

Voer uw oude apparaat nooit af samen met standaard afval. Lever het apparaat in bij een afvalinzamelingsdepot voor elektrische en elektronische apparatuur. Vraag, indien nodig, uw leverancier of uw onderhoudsmonteur om advies.



# 7

# Boiler

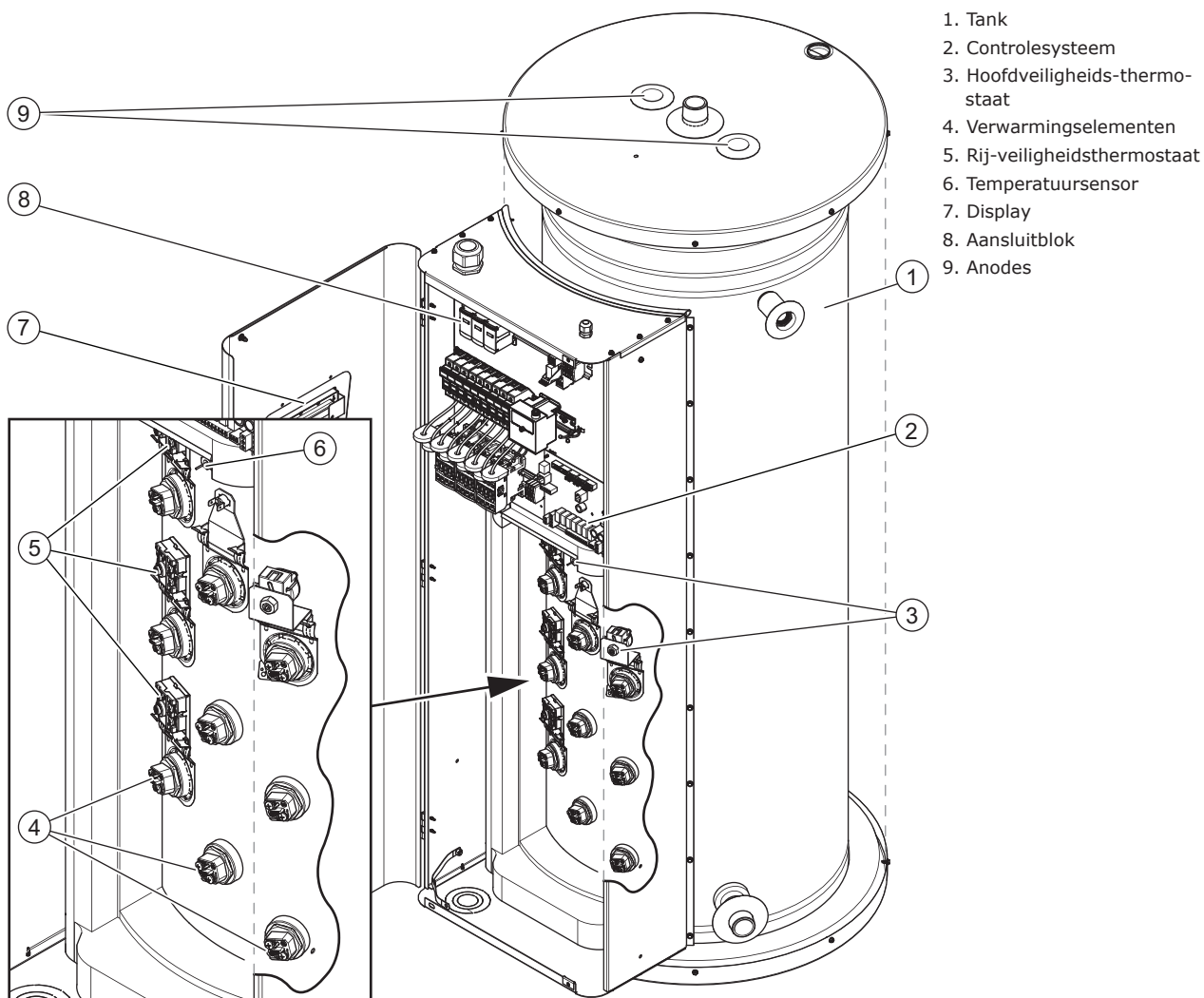
## 7.1

## Opbouw van de boiler

De boiler heeft de volgende hoofdonderdelen:

<b>Tank (1)</b>	Het water wordt opgeslagen in de tank en daarin verwarmd.
<b>Verwarmingselementen (4)</b>	Het water wordt door verwarmingselementen verwarmd.

Afb. Onderdelen van de boiler





# 8

# Installatie



## Waarschuwing

De installatie moet worden uitgevoerd door een hiertoe gekwalificeerd persoon en in overeenstemming met algemene en lokale voorschriften (op pagina 77) hiervoor.



## Let op

De boiler mag niet worden gebruikt in ruimtes waarin chemische stoffen zijn opgeslagen of worden gebruikt vanwege het risico op een explosie en corrosie van de boiler. Sommige drijfgassen, bleekmiddelen en ontvettingsmiddelen enzovoort kunnen explosieve dampen afgeven en/of de boiler sneller doen roesten. Wanneer de boiler wordt gebruikt in een ruimte waar dergelijke substanties zijn opgeslagen of worden gebruikt, vervalt de garantie.

## Let op

Deze boiler is uitsluitend voor gebruik binnenshuis.

Raadpleeg Veiligheidsinstructies (zie 6.1) voor meer veiligheidsinstructies.

## 8.1

### Verpakking

A.O. Smith raadt aan om de boiler op of in de buurt van de installatielocatie uit te pakken. Verwijder de verpakking voorzichtig om beschadiging van de boiler te voorkomen.

## 8.2

### Omgeving



## Waarschuwing

De boiler moet op een niet-ontvlambare ondergrond worden geïnstalleerd.

### 8.2.1

#### Omgevingsomstandigheden

De installatielocatie moet vorstvrij zijn. Tref indien nodig maatregelen om de installatielocatie vorstvrij te houden.

Zorg ervoor dat de omgevingsomstandigheden geschikt zijn om storing in de elektronica van de boiler te voorkomen.

Luchtvochtigheid en omgevingstemperatuur	
Luchtvochtigheid	Max. 93% RV bij + 25 °C
Omgevingstemperatuur	Functionaliteit: 0 < T < 40 °C

### 8.2.2

#### Maximale vloerbelasting

Raadpleeg een bouwkundig ingenieur en de algemene specificaties in de bijlagen om er zeker van te zijn dat de maximale vloerbelasting voldoende is om het gewicht van de boiler te dragen.

### 8.2.3

## Watersamenstelling

Het water moet voldoen aan de voorschriften voor drinkwater.

Watersamenstelling	
Waterhardheid	> 1,00 mmol/l: <ul style="list-style-type: none"><li>• Duitse hardheid &gt; 5,6° dH</li><li>• Franse hardheid &gt; 10,0° fH</li><li>• Engelse hardheid &gt; 7,0° e</li><li>• <math>\text{CaCO}_3 &gt; 100 \text{ ppm}</math></li></ul>
Geleidbaarheid	> 125 $\mu\text{S/cm}$
Zuurgraad (pH-waarde)	7,0 - 9,5



### Opmerking

De waterkwaliteit kan een negatieve invloed hebben op de efficiëntie, prestaties en levensduur van de boiler. Raadpleeg de Garantie (op pagina 75). Raadpleeg een expert op het gebied van waterbehandeling indien de waterspecificaties afwijken van die in de tabel.

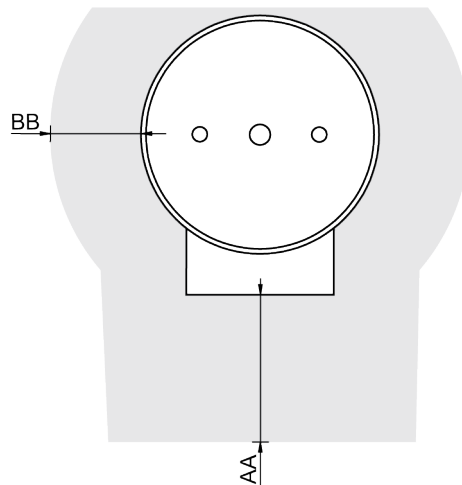
### 8.2.4

## Ruimte voor werkzaamheden

Zorg ervoor dat er voldoende ruimte is om toegang te krijgen tot de boiler:

- 100 cm voor de boiler (AA).
- 50 cm links en rechts van de boiler (BB).
- 100 cm boven de boiler.

Afb. Ruimte voor werkzaamheden



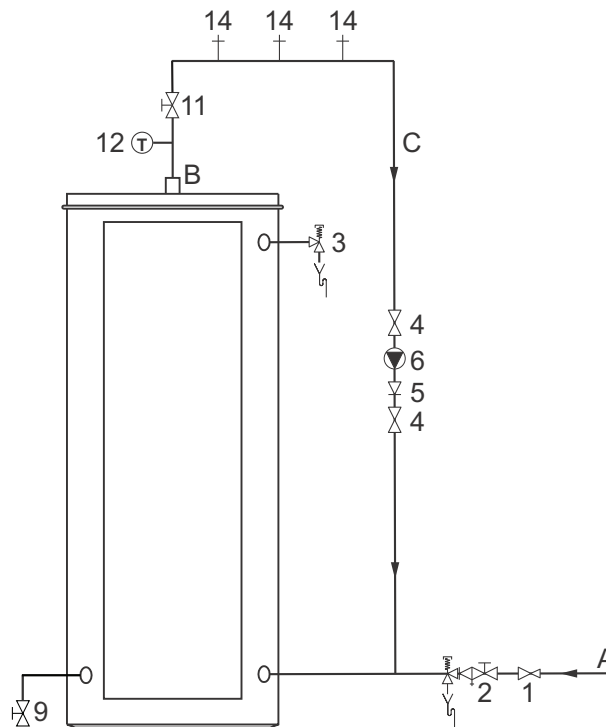
IMD-1449 R0



## 8.3

## Aansluitschema

Afb. Aansluitschema



1. Drukreducerendventiel (verplicht wanneer de druk van de waterleiding te hoog is)
  2. Inlaatcombinatie
  3. T&P-ventiel (verplicht)
  4. Afsluiter (aanbevolen)
  5. Terugslagklep
  6. Circulatiepomp (optioneel)
  9. Aftapkraan
  11. Service-afsluiter
  12. Temperatuurmeter (optioneel)
  14. Tappunt
- A. Koudwatertoevoer  
B. Warmwateruitlaat  
C. Circulatieleiding (optioneel)



### Opmerking

Gebruik dit Aansluitschema wanneer u:

- de wateraan sluitingen (zie 8.4) installeert
- de boiler vult (zie 8.6.1)
- de boiler aftapt

## 8.4

## Wateraan sluitingen

### 8.4.1

### Koudwateraan sluiting



#### Let op

Bij de installatie van de boiler heeft u een inlaatcombinatie nodig. De inlaatcombinatie en bijhorende fittings worden niet meegeleverd. De inlaatcombinatie moet geschikt zijn voor een waterdruk niveau tot 800 kPa. Installeer de inlaatcombinatie zo dicht mogelijk bij de boiler.



#### Waarschuwing

Installeer nooit een afsluiter of een terugslagklep tussen de inlaatcombinatie en de boiler.

#### Waarschuwing

De boiler heeft een vaste aansluiting op de waterleiding nodig. Sluit de boiler niet aan met een waterslang.

De koudwateraan sluiting installeren:

1. Wanneer de toevoerdruk van de waterleiding te hoog is, installeert u een drukreducerendventiel (1), raadpleeg de Technische informatie.

2. Installeer een inlaatcombinatie (2).
3. Sluit de overstroomaansluiting van de inlaatcombinatie aan op een open leiding voor afvalwater.

## 8.4.2

### Warmwateraansluiting



---

**Opmerking**

Isoleer lange warmwaterleidingen om onnodig energieverlies te voorkomen.

---

De warmwateraansluiting installeren:

1. Installeer een afsluiter (11) in de warmwateruitlaatleiding voor onderhoudswerkzaamheden.
2. Installeer een T&P-ventiel (3).
3. Installeer een temperatuurmeter (12), indien van toepassing.

## 8.4.3

### Circulatie-aansluiting

Installeer een circulatiesysteem wanneer een directe stroom van warm water bij tappunten (in warmwaterleiding) nodig is. Dit verbetert het comfort en vermindert watergebruik.



---

**Opmerking**

Sluit de circulatieleiding (C) aan op de koudwaterinlaat.

**Opmerking**

Zorg dat de circulatiepomp het juiste vermogen heeft voor de lengte en de weerstand van het circulatiesysteem.

---

Een circulatiepomp installeren:

1. Installeer een circulatiepomp (6).
2. Installeer een terugslagklep (5) na de circulatiepomp er zeker van te zijn dat de richting van de circulatie correct is.
3. Installeer een afsluiter (4) voor de circulatiepomp.
4. Installeer een afsluiter (4) na de terugslagklep.
5. Sluit de circulatieleiding (C) aan op de koudwaterinlaat, tussen de boiler en de inlaatcombinatie (2).

## 8.5

### Elektrische aansluitingen



---

**Waarschuwing**

Laat de boiler spanningsloos (geïsoleerd) tot deze in gebruik wordt genomen.

---

## 8.5.1

### Vorbereiding

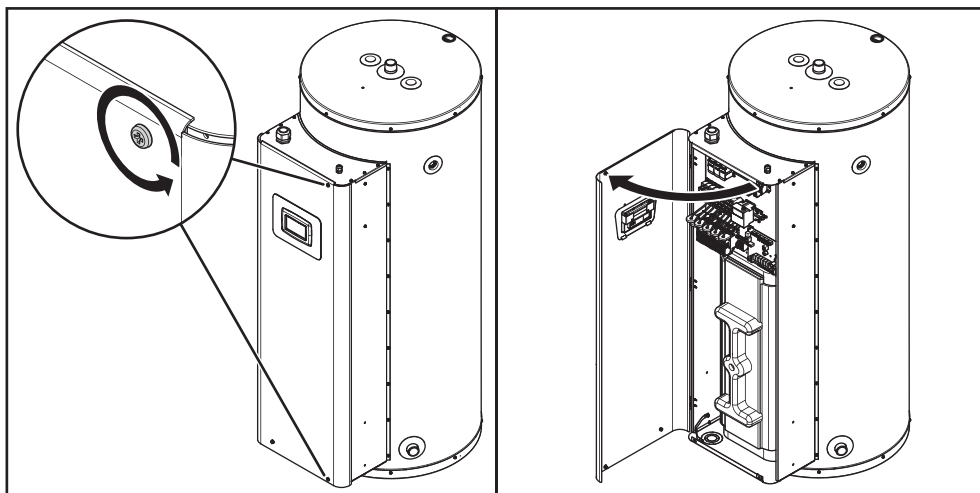
Open de deur van de boiler om het elektrische gedeelte en het aansluitblok te kunnen zien.



#### Waarschuwing

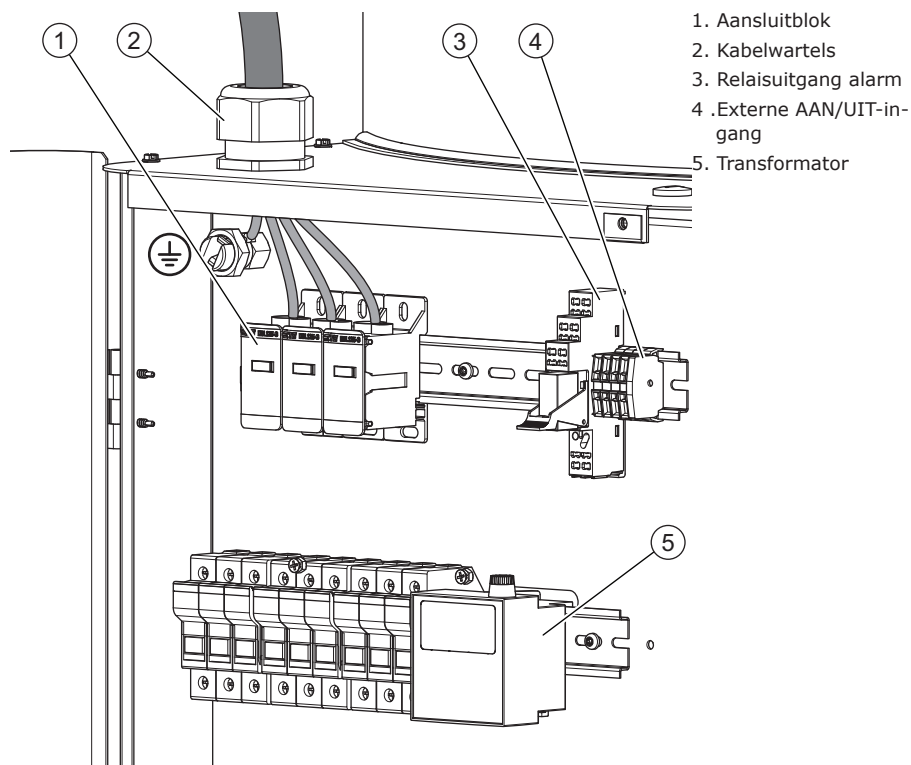
Spanningvoerende delen aanwezig! Maak het toestel volledig spanningsloos (met de werkschakelaar) alvorens de buitendeur te openen om toegang te krijgen tot de elektrische componenten.

Afb. Open de deur



De netvoeding moet aangesloten zijn op het aansluitblok, raadpleeg [Opbouw van de boiler](#) (zie 7.1).

Afb. Aansluitblok



## 8.5.2

## Netvoeding



### Opmerking

De boiler wordt zonder voedingskabel en hoofdschakelaar geleverd. Gebruik een voedingskabel met draden met de geschikte diameter op basis van de kabellengte en de stroom.

### Opmerking

Selecteer en installeer een meerpolige schakelaar (overspanningscategorie III) met een contactopening van minstens 3 mm. De meerpolige- schakelaar moet overeenkomstig de bedravingsvoorschriften in de vaste bedrading worden verwerkt.

### Opmerking

De schakelaar moet in dezelfde ruimte als het toestel worden geïnstalleerd, maximaal 1 meter van de boiler af, en correct worden gemarkeerd.

### Opmerking

De lengte van de kern van de aardingsdraad die is aangesloten op de elektrische aansluiting moet langer zijn dan de kernen van neutrale en spanningvoerende draden (L1, L2 en L3).

De boiler op de netvoeding aansluiten:

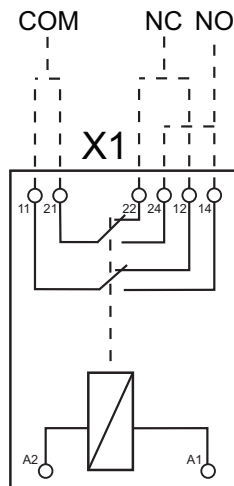
1. Trek de voedingskabel door de kabelwartel.
2. Sluit de spanningvoerende draden (L1, L2 en L3) en de aardingsdraad (A) van de voedingskabel aan op de klemmen van het aansluitblok.
3. Sluit de voedingskabel aan op de schakelaar.
4. Zet de voedingskabel vast in kabelwartel.

## 8.5.3

## alarmuitgang

Met de alarmuitgang kunt u de alarmstatus naar een extern apparaat verzenden. De alarmuitgang is een relais.

	Aansluitingen	
	Toevoer	Uitgang
Normally Open (NO)	11	14
	21	24
Normally Closed (NC)	11	12
	21	22



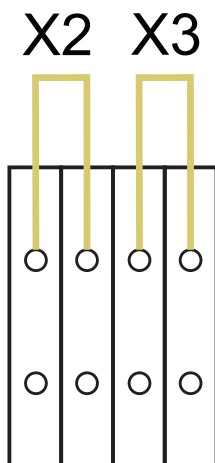
De alarmuitgang gebruiken:

1. Sluit stroom aan (max. 250V/10A) op een van de voedingsklemmen (11 of 21).
2. Sluit de uitgangsklem (NC: 12 of 22 en NO: 14 of 24) aan op uw externe apparaat.

## 8.5.4

### Externe aan/uit

De externe aan/uit-contacten kunnen voor de besturing van de boiler worden gebruikt.



Modus	Setpoint	Externe contacten
Aan	Normaal	X2 = Gesloten X3 = Gesloten
Uit	-	X2 = Open X3 = Open
Eco	Eco (setpoint NORMAAL minus de aanpassing setpoint ECO)	X2 = Gesloten X3 = Open
Weekprogramma	Schakelt tussen NORMAAL en ECO overeenkomstig het programma	X2 = Open X3 = Gesloten

De boiler is voorzien van twee shunts op X2 en X3. U kunt de shunts verwijderen om de boiler permanent in één modus te zetten. U kunt de shunt ook met een externe schakelaar of relais vervangen, zodat u het contact op afstand kunt openen/sluiten.



#### Let op

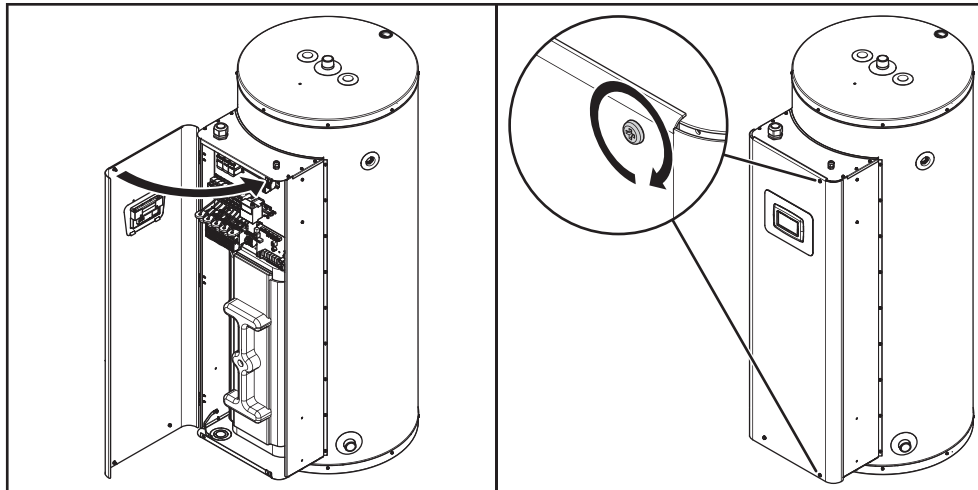
Zet geen stroom op deze klemmen.

## 8.5.5

### Afronden

Wanneer alle aansluitingen in orde zijn, sluit u de deur van de boiler.

Afb. Plaats de kap



## 8.6

### Inbedrijfstelling

De boiler in bedrijf stellen:

1. Vul de boiler (zie 8.6.1)
2. Schakel de boiler in

#### 8.6.1

### Vullen

Raadpleeg het Aansluitschema wanneer u de boiler vult:

1. Open de afsluiters (4) van de circulatieleiding (C), indien van toepassing.
2. Controleer of de aftapkraan (9) is gesloten.
3. Open het dichtstbijzijnde tappunt van de warmwaterleiding (14).
4. Open de kraan van de inlaatcombinatie (2) in de leiding van de koudwatertoevoer (A). Koud water stroomt de boiler binnen.
5. Vul de boiler totdat een sterke stroom water uit het dichtstbijzijnde tappunt stroomt. De boiler is volledig gevuld.
6. Open alle tappunten om de hele installatie te ontlichten. De druk van de watertoevoer in de boiler is nu in orde.
7. Controleer of er geen water uit het drukreducerventiel van de inlaatcombinatie (2), of uit het T&P-ventiel (3) stroomt. Als er wel water uit komt:
  - Onderzoek of de watertoevoerdruk hoger is dan de gespecificeerde waarde in de Technische informatie. Installeer, indien nodig, een drukreducerventiel (1).
  - Onderzoek of het drukreducerventiel van de inlaatcombinatie goed is geïnstalleerd en goed werkt. Vervang, indien nodig, het overstortventiel.
8. Sluit alle tappunten in de warmwaterleiding.

#### 8.6.2

### Schakel de boiler in



#### Let op

Wanneer u de boiler voor de eerste keer inschakelt, zorg er dan voor dat de datum en tijd zijn ingesteld. Zie [instellingenmenu Ecostand](#) (zie 9.4).

Raadpleeg de procedure in het gedeelte voor de gebruiker: [De boiler inschakelen](#) (zie 4.1).

## 8.7

# Buitengebruikstelling

Stel de boiler buiten gebruik:

1. [De boiler uitschakelen](#) (zie 8.7.1)
2. [De boiler aftappen](#) (zie 8.7.2)

### 8.7.1

## De boiler uitschakelen

Raadpleeg de procedure in het gedeelte voor de gebruiker [De boiler uitschakelen](#) (zie 4.2) en isoleer de boiler van de netvoeding.

### 8.7.2

## Aftappen

Raadpleeg het Aansluitschema wanneer u de boiler wilt aftappen:

1. Sluit, indien van toepassing, de onderhoudsafsluiter (11) in de warmwaterleiding.
2. Sluit de afsluiters (4) van de circulatieleiding (C), indien van toepassing.
3. Sluit het ventiel (2) van de inlaatcombinatie (A).
4. Open de aftapkraan (9).
5. Belucht de hele installatie totdat de boiler volledig is afgetapt.
6. Als de boiler volledig moet worden afgetapt, koppel het toestel dan los en kantel het in de richting van de aftapkraan.





# 9

# Instellingen

## 9.1

### Display

Het display is volledig menugestuurd. De gebruiker kan instellingen wijzigen en kan de status en de geschiedenis van de boiler controleren.

Raadpleeg [Bedieningspaneel](#) (zie 3.1) voor meer informatie over het gebruik van het bedieningspaneel.

Druk op het display op **[Menu]** om het hoofdmenu te openen.

*Afb. Hoofdmenu*

Main Menu			
Temperaturen	>	▲	
Toestelstatus	>		
Ecostand	>		
Setup alarmuitgang	>		
Scherm instellingen	>		
-----			
Toestelinformatie	>		
Storing (geen)	>		
Storingsgeschiedenis	>		
Storingsaantallen	>		
Herstel naar standaard	>		
Module-informatie	>	▼	
	TERUG		HELP

Het hoofdmenu bestaat uit submenu's. Gebruik de balk aan de rechterkant om door het menu te bladeren.

Druk op een regel met een **[>]** om het betreffende submenu te openen. Druk op **[TERUG]** om terug te gaan naar het vorige scherm.

## 9.2

## Temperaturen

In het submenu **Temperaturen** worden het temperatuursetpoint, de ingestelde hysteresis en de actuele watertemperatuur van de boiler en de offset tanksensor weergegeven.

Afb. Submenu *Temperatuur*

Temperaturen			
Setpoint	60 °C	>	▲
1st Hysteresis	1 °C	>	
2nd Hysteresis	1 °C	>	
3rd Hysteresis	1 °C	>	
Tanktemperatuur	60 °C	>	
Offset tanksensor	0 °C	>	▼
	TERUG		HELP

Druk op een regel met een [**>**] om het setpoint of de hysteresis in te stellen. Druk op [**TERUG**] om terug te gaan naar het vorige scherm.

### 9.2.1

### Setpoint



#### Let op

Zet het temperatuursetpoint bij voorkeur op 60 °C. Schadelijke kalkaanslag en kalkafzetting zal meer aanwezig zijn wanneer u het temperatuursetpoint instelt op 65 °C en hoger. Bij een lagere temperatuur is het risico van legionellaconcentraties in het water groter.

Het setpoint van de temperatuur wijzigen:

1. Open in het submenu **Temperaturen** het bedieningsscherm **Setpoint**.

Setpoint			
60 °C			+
MIN	MAX		
32 °C	83 °C		-
AKKOORD		TERUG	

2. Stel het setpoint voor de watertemperatuur in:
  - a) Gebruik [**+**] om het setpoint te verhogen.
  - b) Gebruik [**-**] om het setpoint te verlagen.
3. Druk op [**AKKOORD**] om de waarde bevestigen of op [**TERUG**] om terug te gaan naar het vorige scherm.

### 9.2.2

### Hysteresis

De boiler start niet direct wanneer de watertemperatuur onder het setpoint van de temperatuur ligt. Om te voorkomen dat de boiler te vaak in- en uitschakelt, is er een marge; de hysteresis.

De hysteresis is bepaald door het aantal rijen met elementen en hysteresis-instelling van elke rij. De volgorde waarin de rijen worden ingeschakeld is: de eerste rij die wordt ingeschakeld is de laatste rij die wordt uitgeschakeld. Het standaard setpoint is 60° en de

hysterese is 1°C. Met deze instellingen worden de rijen zoals in onderstaande tabel wordt aangegeven, geactiveerd.

De hysterese instellen:

1. Open het bedieningsscherm 1ste hysterese.

1st Hysterese			
1°C			+
MIN 1°C	MAX 11°C		
			-
AKKOORD		TERUG	

2. Wijzig het hysterese-setpoint:
  - a) Gebruik **[+]** om het setpoint te verhogen.
  - b) Gebruik **[-]** om het setpoint te verlagen.
3. Druk op **[AKKOORD]** om de waarde bevestigen of op **[TERUG]** om terug te gaan naar het vorige scherm.

De standaardwaarde van de hysterese is 1 °C.

Voorbeeld 1: standaardinstelling

Rijnummer	Hysterese	Geactiveerd bij temperatuur (In-schakelen)	Activatie stopt bij temperatuur (Uit-schakelen)
Rij 3 (bovenste rij)	1°C	< 57°C	> 58°C
Rij 2 (middelste rij)	1°C	< 58°C	> 59°C
Rij 1 (onderste rij)	1°C	< 59°C	> 60°C

Voorbeeld 2: verschillende hysterese

Rijnummer	Differentieel	Geactiveerd bij temperatuur (In-schakelen)	Activatie stopt bij temperatuur (Uit-schakelen)
Rij 3 (bovenste rij)	4°C	< 49°C	> 53°C
Rij 2 (middelste rij)	5°C	< 53°C	> 58°C
Rij 1 (onderste rij)	2°C	< 58°C	> 60°C

### 9.2.3

### Offset tanksensor

Als de aangegeven tanktemperatuur niet overeenkomt met de werkelijk watertemperatuur: wijzig de offset tanksensor.

De offset tanksensor wijzigen:

1. Open in het submenu **Temperaturen** het bedieningsscherm Offset tanksensor.

offset tanksensor			
0 °C			+
MIN -3 °C		MAX 3 °C	-
AKKOORD		TERUG	

2. Wijzig de offset temperatuur:
  - a) Gebruik **[+]** om de offset te verhogen.
  - b) Gebruik **[-]** om de offset te verlagen.
3. Druk op **[AKKOORD]** om de waarde bevestigen of op **[TERUG]** om terug te gaan naar het vorige scherm.

## 9.3

### Toestelstatus

Het submenu **Toestelstatus** geeft gedetailleerde informatie over het toestel:

Status	Huidige status van het toestel.
Element rijen	Aantal elementrijen in het toestel.
Max thermostaatcont.	Gesloten: temperatuur is onder het maximum Open: Temperatuur is hoger dan het maximum, en het temperatuur-beveiligingscircuit is geactiveerd.
Externe Aan/Uit 1	Ingang 1 open of gesloten.
Externe Aan/Uit 2	Ingang 2 open of gesloten.
Elementen rij x actief	Elementen is deze rij zijn actief.
Alarm conditie	Ja: de relaisuitgang treedt in werking door een alarm. Nee: geen alarm.
Alarm bevestigd	Niet gebruikt.
Alarm relaisuitgang	Gesloten: de relaisuitgang treedt in werking door een alarm. Open: geen alarm.

Afb. Submenu Toestelstatus

Toestelstatus			
Status:	Stand-by	>	▲
Element rijen	0	>	
Max. thermostaatcont.	Gesloten	>	
Externe aan/uit 1	Gesloten	>	
Externe aan/uit 2	Gesloten	>	
Elementen rij1 actief	Nee	>	
-----			
Elementen rij2 actief	Nee	>	
Elementen rij3 actief	Nee	>	
Alarm Conditie	Nee	>	
Alarm Bevestigd	Nee	>	
Alarm Relais Uitgang	Open	>	▼
	TERUG		HELP

NL

## 9.4

### Ecostand

Het submenu **Ecostand** toont de instellingen die gebruikt worden om een inbedrijfperiodes voor een setpoint Eco en Ecostand in te stellen.

In dit menu kunt u voor elke dag tussen de modi schakelen:

- NORMAAL: het toestel schakelt tussen de modi NORMAAL en ECO volgens het schema dat u instelt. De standaardinstelling is:
  - Starttijd voor Normale stand: 00:00
  - Eindtijd voor Normale stand: 23:59
  - Wanneer u de starttijd wijzigt, draait het toestel vanaf 00:00 in de Ecostand en schakelt vervolgens vanaf de starttijd over naar de Normale stand.
  - Wanneer u de eindtijd wijzigt, schakelt het toestel op de eindtijd over naar de Ecostand.

- ECO: het toestel draait de hele dag in Ecostand

Economy Mode			
Setpoint aanpassing	11°C	>	▲
Actuele tijd	Din 15:05	>	
Boiler in ecostand	No	>	
Zondag	NORMAAL	>	
-Normale stand starten	00:00	>	
-Einde normale stand	23:59	>	
-----			
Maandag	NORMAAL	>	
-Normale stand starten	00:00	>	
-Einde normale stand	23:59	>	
Dinsdag	NORMAAL	>	
-Normale stand starten	00:00	>	
-Einde normale stand	23:59	>	
Woensdag	NORMAAL	>	
-Normale stand starten	00:00	>	
-Einde normale stand	23:59	>	
Donderdag	NORMAAL	>	
-Normale stand starten	00:00	>	
-Einde normale stand	23:59	>	
Vrijdag	NORMAAL	>	
-Normale stand starten	00:00	>	
-Einde normale stand	23:59	>	
Zaterdag	NORMAAL	>	
-Normale stand starten	00:00	>	
-Einde normale stand	23:59	>	▼
	TERUG		HELP

Afb. Submenu Ecostand

## 9.4.1



### Setpoint aanpassing

#### Let op

Bij een temperatuur lager dan 60°C is het risico van legionellaconcentraties in het water groter.

Op deze pagina wordt het verschil tussen setpoint Normaal en setpoint Eco gespecificeerd.  
 (setpoint Normaal) - (aanpassing setpoint Eco) = (setpoint Eco).

Het setpoint Eco aanpassen:

1. Open in het submenu Ecostand het bedieningsscherm Setpoint aanpassing.

Setpoint aanpassing			
11 °C			+
MIN 0 °C	MAX 11 °C	-	
AKKOORD		TERUG	

2. Pas het setpoint aan:
  - a) Gebruik **[+]** om het setpoint te verhogen.
  - b) Gebruik **[-]** om het setpoint te verlagen.
3. Druk op **[AKKOORD]** om de waarde bevestigen of op **[TERUG]** om terug te gaan naar het vorige scherm.

## 9.4.2

### Stel de tijd en datum in

De tijd en dag van de week wijzigen:

1. Open in het submenu Ecostand het bedieningsscherm Actuele tijd.

Actuele tijd			
Din 15 : 05 ^			+
-			
AKKOORD	<	TERUG	>

2. Pas het setpoint aan:
  - a) **[^]** geeft de te wijzigen waarde aan.
  - b) Gebruik **[+]** om de waarde te verhogen.
  - c) Gebruik **[-]** om de waarde te verlagen.
  - d) Gebruik **[>]** en **[<]** om tussen dagen, uren en minuten te schakelen.
3. Druk op **[AKKOORD]** om de waarde bevestigen of op **[TERUG]** om terug te gaan naar het vorige scherm.

### 9.4.3

### Schema ecostand

Het schema voor ecostand wijzigen:

1. Open in het submenu Ecostand het bedieningsscherm voor de dagen van de week.

<b>Zondag</b>				+
NORMAAL				
MIN NORMAAL		MAX ECOSTAND		-
AKKOORD		TERUG		

2. De instelling wijzigen:
  - NORMAAL: het toestel schakelt tussen de modi NORMAAL en ECO.
  - ECO: het toestel draait de hele dag in ECO-modus
  - a) Gebruik **[+]** om de waarde te verhogen.
  - b) Gebruik **[-]** om de waarde te verlagen.
3. Druk op **[AKKOORD]** om de waarde bevestigen of op **[TERUG]** om terug te gaan naar het vorige scherm.

Wanneer u een dag op NORMAAL instelt, dan kunt u de start- en eindtijden voor de Normale stand instellen:

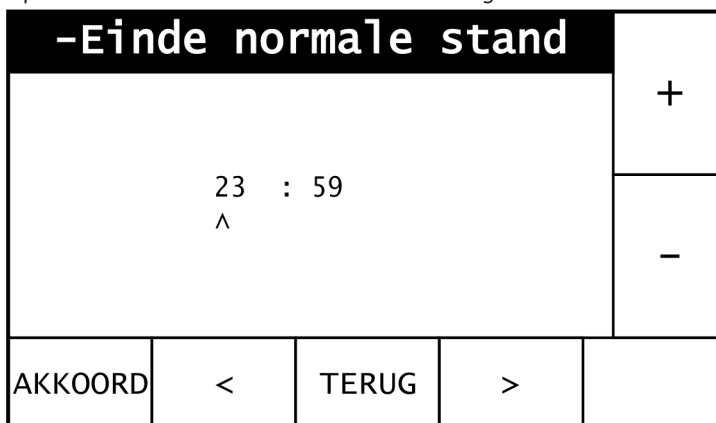
1. Open in het submenu Ecostand het bedieningsscherm Normale stand starten.

<b>-Normale stand starten</b>					+
00 : 00 ^					
					-
AKKOORD	<	TERUG	>		

2. De starttijd wijzigen:
  - a) **[^]** geeft de te wijzigen waarde aan.
  - b) Gebruik **[+]** om de waarde te verhogen.
  - c) Gebruik **[-]** om de waarde te verlagen.
  - d) Gebruik **[>]** en **[<]** om tussen uren en minuten te schakelen.
3. Druk op **[AKKOORD]** om de waarde bevestigen of op **[TERUG]** om terug te gaan naar het vorige scherm.



4. Open in het submenu Ecostand het bedieningsscherm Einde normale stand



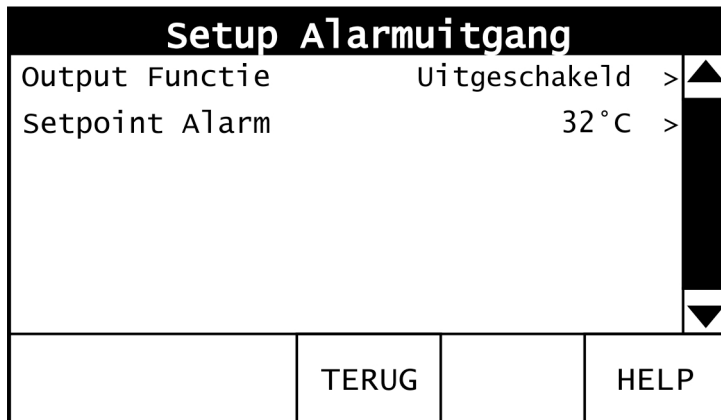
5. De eindtijd wijzigen:
- ['^'] geeft de te wijzigen waarde aan.
  - Gebruik ['+'] om de waarde te verhogen.
  - Gebruik ['-'] om de waarde te verlagen.
  - Gebruik ['>'] en ['<'] om tussen uren en minuten te schakelen.
6. Druk op **[AKKOORD]** om de waarde bevestigen of op **[TERUG]** om terug te gaan naar het vorige scherm.

## 9.5

### Setup alarmuitgang

Het submenu **Setup alarmuitgang** geeft de uitgang functie en het setpoint alarm weer. Met de uitgang functie kunt u kiezen welke gebeurtenissen de alarmuitgang activeren. Deze gebeurtenissen zijn beschikbaar:

Functie	Alarmuitgang is geactiveerd...
Uitgeschakeld	nooit.
Storing	wanneer een storing optreedt.
Storing of waarschuwing	wanneer een storing of waarschuwing optreedt.
Temp < SP alarm	wanneer de watertemperatuur onder het setpoint alarm komt.
Temp < SP	wanneer de watertemperatuur onder het setpoint Normaal komt.
Verwarmingsmodus	wanneer het toestel overschakelt naar de verwarmingsmodus.



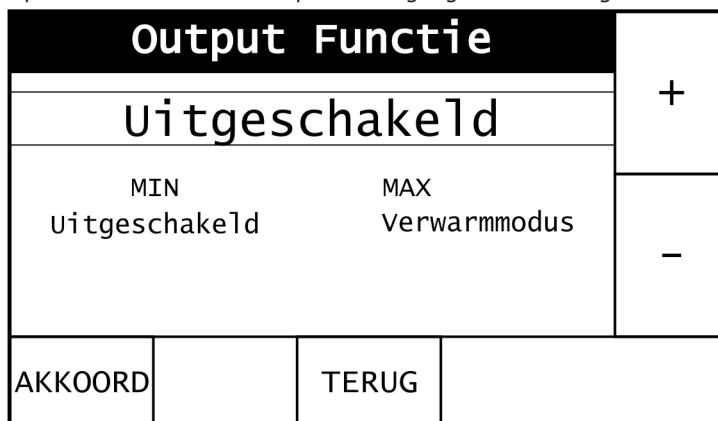
Afb. Submenu Setup alarmuitgang

### 9.5.1

#### De uitgang functie alarm instellen

De uitgang functie alarm wijzigen:

1. Open in het submenu Setup alarmuitgang het bedieningsscherm Uitgang functie.



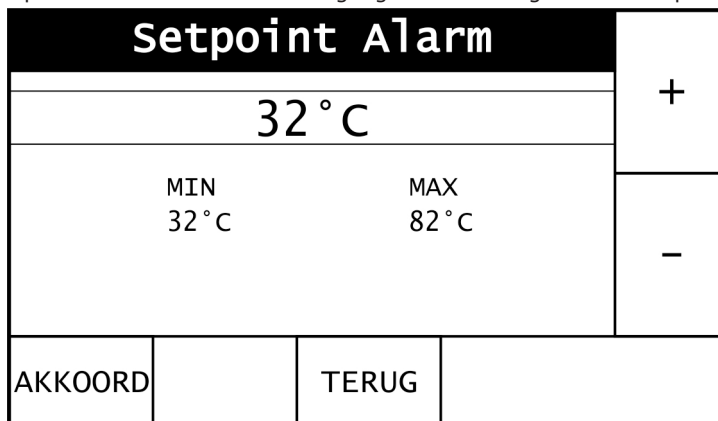
2. Wijzig de uitgang functie alarm:
  - a) Gebruik **[+]** om de volgende functie te selecteren.
  - b) Gebruik **[-]** om de vorige functie te selecteren.
3. Druk op **[AKKOORD]** om de waarde bevestigen of op **[TERUG]** om terug te gaan naar het vorige scherm.

### 9.5.2

#### Setpoint alarm

Het setpoint alarmtemperatuur wijzigen:

1. Open in het submenu alarmuitgang het bedieningsscherm Setpoint alarm.



2. Stel het setpoint voor de alarmtemperatuur in:
  - a) Gebruik **[+]** om het setpoint te verhogen.
  - b) Gebruik **[-]** om het setpoint te verlagen.
3. Druk op **[AKKOORD]** om de waarde bevestigen of op **[TERUG]** om terug te gaan naar het vorige scherm.

## 9.6 Scherm instellingen

Het submenu **Scherm instellingen** bevat de instellingen van de temperatuurseenheid, helderheid van het display, het schermlicht en de taal.

NL

Afb. Submenu Scherm instellingen

Scherm instellingen		
Temperatuurseenheid	°C >	▲
Helderheid	4 >	■
Scherm licht aan	30s >	■
Taal	Nederlands (NL) >	▼
TERUG		

Druk op een regel met een **[>]** om de instellingen te wijzigen.

### 9.6.1 De temperatuurseenheid instellen

De temperatuurseenheid wijzigen:

1. Open in het submenu **Scherm instellingen** het bedieningsscherm Temperatuurseenheid.

Temperatuurseenheid		
°C		+
MIN °C	MAX °F	-
AKKOORD	TERUG	

2. Wijzig de instellingen.
3. Druk op **[AKKOORD]** om de waarde bevestigen of op **[TERUG]** om terug te gaan naar het vorige scherm.

## 9.6.2

### De helderheid van het display instellen

De helderheid van het display staat standaard op laag (helderheid=0). Zet u de helderheid op 1 of hoger, dan wordt het de achtergrondverlichting helderder als u op een knop drukt.

De helderheid van het display instellen:

1. Open in het submenu **Scherm instellingen** het bedieningsscherm **Helderheid**.

Helderheid			
4			+
MIN		MAX	-
0		10	
AKKOORD		TERUG	

2. De instelling wijzigen:
  - a) Gebruik **[+]** om de helderheid te verhogen.
  - b) Gebruik **[-]** om de helderheid te verlagen.
3. Druk op **[AKKOORD]** om de waarde bevestigen of op **[TERUG]** om terug te gaan naar het vorige scherm.

## 9.6.3

### Scherm licht aan instellen

Zet u de helderheid op 1 of hoger, dan wordt het schermlicht feller als u op een knop drukt. Scherm licht aan bepaalt hoe lang het duurt voordat het schermlicht terugschakelt naar een laag niveau.

Scherm licht aan instellen:

1. Open in het submenu **Scherm instellingen** het bedieningsscherm Scherm licht aan.

Scherm licht aan			
30s			+
MIN		MAX	-
30s		240s (Aan)	
AKKOORD		TERUG	

2. De instelling wijzigen:
  - a) Gebruik **[+]** om het schermlicht langer aan te laten.
  - b) Gebruik **[+]** om het schermlicht korter aan te laten.



#### Opmerking

Als de vertraging van het schermlicht is ingesteld op 240 seconden (maximale waarde), blijft het schermlicht continu branden.

3. Druk op **[AKKOORD]** om de waarde bevestigen of op **[TERUG]** om terug te gaan naar het vorige scherm.

## 9.6.4

### Taal instellen

De taal instellen:

1. Open in het submenu **Scherm instellingen** het bedieningsscherm **Taal**.

Taal			
Nederlands (NL)			+
MIN		MAX	
Français		English	
-			
AKKOORD		TERUG	

2. Gebruik **[+]** en **[-]** om de taalinstelling te wijzigen.
3. Druk op **[AKKOORD]** om de waarde bevestigen of op **[TERUG]** om terug te gaan naar het vorige scherm.

Wanneer u op **[ACCEPTEREN]** drukt, wordt het scherm herstart. Dit heeft geen invloed op het bedieningssysteem.

## 9.7

### Toestelinformatie

U kunt het menu **Toestelinformatie** openen vanuit het hoofdmenu. In het submenu **Toestelinformatie** wordt informatie weergegeven over de bedrijfsgeschiedenis van de boiler.

Totaaltijd	De totaal tijd die het toestel is ingeschakeld.
TT Opwarmen	De totaal tijd die de verwarmingselementen zijn ingeschakeld.
Cyclusteller	Aantal opwarmcycli
Rij x cycli	Aantal opwarmcycli voor elementenrij x
Rij x actief	De totaal tijd die de elementen in rij x zijn ingeschakeld
CCB-versie	Versie van de besturingssysteemsoftware
UIM-versie	Versie van de displaysoftware

Afb. Display - Toestelinformatie

Toestel Informatie	
Totaaltijd	52d17h6m
TT opwarmen	2d10h31m
Cyclusteller	274
Rij 1 cycli	305
Rij 1 actief	2d10h24m
Rij 2 cycli	42
-----	
Rij 2 actief	7h31m
Rij 3 cycli	25
Rij 3 actief	4h39m
CCB-versie	X.XX
UIM-versie	X.XX.XX
	TERUG
	HELP

## 9.8

### Storingsgeschiedenis

U kunt het submenu **Storingsgeschiedenis** openen vanuit het hoofdmenu. In het submenu **Storingsgeschiedenis** worden de laatste 9 storingen van de boiler weergegeven, inclusief tijdstip. Druk op de storing om de informatie over een specifieke storing te openen.

Afb. Display - Storingsgeschiedenis

Storingsgeschiedenis	
1:	XXXXXXXXXXXXXXXXXXXX (XXX) > XXdXXhXXm geleden
2:	XXXXXXXXXXXXXXXXXXXX (XXX) > XXdXXhXXm geleden
3:	XXXXXXXXXXXXXXXXXXXX (XXX) > XXdXXhXXm geleden
-----	
4:	XXXXXXXXXXXXXXXXXXXX (XXX) > XXdXXhXXm geleden
5:	XXXXXXXXXXXXXXXXXXXX (XXX) > XXdXXhXXm geleden
	TERUG
	HELP

Afb. Display storingsinformatie

Druk op **[TERUG]** om terug te gaan naar het vorige scherm.

## 9.9

### Storingsaantallen

U kunt het menu **Storingsaantallen** openen vanuit het hoofdmenu. In het submenu **Storingsaantallen** wordt voor elke storingscategorie het totaal aantal storingen weergegeven.

*Afb. Display - Storingsaantallen*

storingsaantallen			
Maximaalthermostaat	0	>	▲
Geen stroom gedetecteerd	0	>	
Tanksensor	0	>	
Storing voedingsspanning	0	>	
CCB-hardware	0	>	
Modelstoring	0	>	
-----			
CCB-communicatie	0	>	▼
	TERUG		HELP

Druk op **[TERUG]** om terug te gaan naar het vorige scherm.

## 9.10

### Standaardinstellingen herstellen

U kunt het menu **Herstel naar standaard** openen vanuit het **Hoofdmenu**. In het submenu **Herstel naar standaard** kunt u de standaard fabrieksinstellingen herstellen.

*Afb. Display - Herstel naar standaard*

Herstel naar Standaard		
Weet u zeker dat u de standaardinstellingen van het systeem wilt herstellen?		
Yes		No

Druk op **[Ja]** om te bevestigen of **[Nee]** om terug te gaan naar het vorige scherm.





De boiler moet minimaal een keer per jaar worden onderhouden. Het onderhoudsinterval wordt bepaald door de waterkwaliteit, de gemiddelde bedrijfsuren per dag en de ingestelde watertemperatuur.

Om de juiste interval te bepalen, adviseert A.O. Smith om drie maanden na installatie een systeemcontrole uit te voeren.



---

**Opmerking**

Onderhoud moet worden uitgevoerd om een effectieve en efficiënte overdracht van de warmte op het water te behouden. Onderhoud verlengt de levensduur van de boiler aanzienlijk.

**Opmerking**

Indien nodig, kunnen reserveonderdelen worden besteld. Om er zeker van te zijn dat u de juiste reserveonderdelen ontvangt, kijkt u op de plaat met gegevens voor het volledige serienummer en het model boiler. Deze informatie gebruikt u wanneer u de reserveonderdelen besteld.

---

Voer de volgende onderhoudswerkzaamheden uit:

- [Vorbereiding](#) (zie 10.1)
- [Waterzijdig onderhoud](#) (zie 10.2)
- [Prestatie controleren](#) (zie 10.3)
- [Afronden](#) (zie 10.4)

## 10.1

### Vorbereiding

Isoleer de boiler van de netvoeding voordat u onderhoudswerkzaamheden uitvoert.

## 10.2

### Waterzijdig onderhoud

Waterzijdige onderhoudswerkzaamheden:

- [Inspecteer de anode](#) (zie 10.2.1)
- De tank ontkalken

### 10.2.1

#### Inspecteer de anode

De levensduur van de anode is afhankelijk van de kwaliteit en hoeveelheid water die door de boiler stroomt. Inspecteer de anode ten minste eenmaal per jaar om ervoor te zorgen dat de tank is beschermd tegen corrosie.

De anode inspecteren:

1. Sluit het reduceerventiel in de koudwatertoevoer.
2. Open het dichtstbijzijnde tappunt in de warmwaterleiding om de waterdruk in de boiler te verlagen.
3. Gebruik een steeksleutel om de anode los te draaien.
4. Verwijder de anode uit de boiler.

- Inspecteer het volume van de anode. Als de anode voor 60 % of meer is opgebruikt, vervangt u de anode.



**Opmerking**

Gebruik in dat geval altijd een anode van hetzelfde type. Raadpleeg het typeplaatje voor het type en serienummer van de anode.

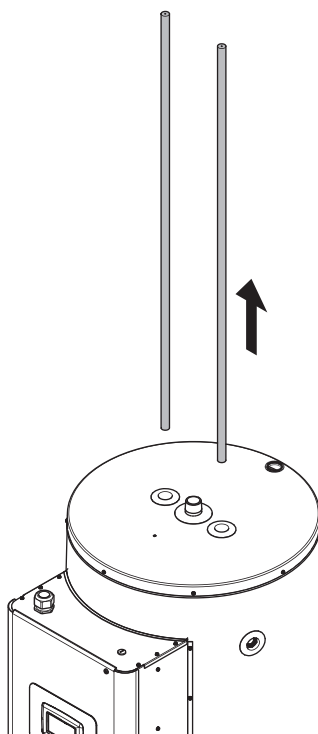
- Plaats de anode in de boiler.
- Gebruik een steeksleutel om de anode vast te draaien. Zorg dat de aansluiting waterdicht is.



**Opmerking**

Installeer een anode nooit geïsoleerd van de metalen tank.

Afb. De anode inspecteren



10.2.2

**De tank ontkalken**



**Opmerking**

Hard water kan kalkaanslag veroorzaken, dat de efficiëntie van de boiler negatief beïnvloedt en kan leiden tot storingen. Storingen ten gevolge van kalkaanslag of andere aanslag zijn geen fabricagefouten en worden niet gedekt door de garantie (op pagina 75).

**Opmerking**

Vervang de pakkingen voordat u begint met opnieuw monteren. U moet deze pakkingen bij uw leverancier bestellen. Bekijk de plaat met gegevens voor de juiste bestelinformatie.

De tank ontkalken en reinigen:

- Stel de boiler buiten gebruik (zie 8.7).



- Open de deur van de boiler.

---

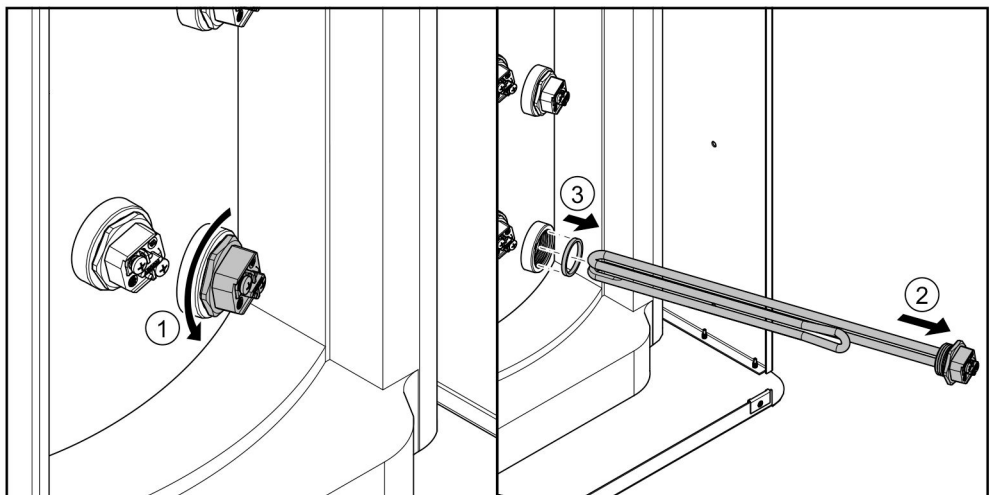
**Waarschuwing**

Spanningvoerende delen aanwezig! Maak het toestel volledig spanningsloos (met de werkschakelaar) alvorens de buitendeur te openen om toegang te krijgen tot de elektrische componenten.

---

- Verwijder het isolatiemateriaal.
- Verwijder het onderste verwarmingselement:
  - Maak de elektrische aardingsdraad (A) en de spanningvoerende draad (L) op het element los.
  - Maak het verwarmingselement los.
  - Verwijder het verwarmingselement uit de boiler.  
Zet het verwarmingselement voorzichtig ergens neer.
- Inspecteer de tank via de opening op kalkaanslag.
- Bij kalkaanslag:
  - Verwijder de volgende verwarmingselementen.  
Begin bij het onderste verwarmingselement.
  - Gebruik een ontkalkingsmiddel om kalk en vuil te verwijderen. Neem contact op met de leverancier van uw boiler om advies te vragen over welk ontkalkingsmiddel u kunt gebruiken.
- Maak de verwarmingselementen schoon.
- Vervang de pakking.
- Meet de weerstandswaarde tussen de twee aansluitingen van elk verwarmingselement.  
De waarde moet voor 3 kW -elementen ongeveer 19 +/- 4 Ohm zijn en voor 6 kW -elementen 10 +/- 2 Ohm.
- Installeer de verwarmingselementen:
  - Plaats het element in de tank.
  - Zet het verwarmingselement vast.
  - Sluit de elektrische aardingsdraad (A) en de spanningvoerende draad (L) op het element aan.
- Installeer het isolatiemateriaal.
- Sluit de deur.
- De boiler vullen (zie 8.6.1).

Afb. Een verwarmingselement verwijderen



## 10.3

### Prestatie controleren

Zorg dat de weerstandswaarde van elk verwarmingselement correct is:

1. Open de deur van de boiler.



---

#### Waarschuwing

Spanningvoerende delen aanwezig! Maak het toestel volledig spanningsloos (met de werkschakelaar) alvorens de buitendeur te openen om toegang te krijgen tot de elektrische componenten.

---

2. Verwijder het isolatiemateriaal.
3. Meet de weerstandswaarde tussen de twee aansluitingen van elk verwarmingselement.  
De waarde moet voor 3 kW -elementen ongeveer 19 +/- 4 Ohm zijn en voor 6 kW -elementen 10 +/- 2 Ohm.
4. Vervang het verwarmingselement als de weerstandswaarde niet correct is.
  - a) Stel de boiler buiten gebruik (zie 8.7).
  - b) Maak de elektrische aardingsdraad (A) en de stroomvoerende draad (L) op het element los.
  - c) Maak het verwarmingselement los.
  - d) Verwijder het verwarmingselement uit de boiler.
  - e) Plaats een nieuw element in de tank.
  - f) Zet het verwarmingselement vast.
  - g) Sluit de elektrische aardingsdraad (A) en de stroomvoerende draad (L) op het element aan.
5. Zorg ervoor dat alle bedrading correct aangesloten is.
6. Zorg ervoor dat alle elektrische schroefverbindingen goed vastgedraaid zijn.
7. Installeer het isolatiemateriaal.
8. Sluit de deur.
9. Vul de boiler (zie 8.6.1) indien nodig.

## 10.4

### Afronden

Wanneer alle onderhoudswerkzaamheden voltooid zijn:

1. Vul de boiler (zie 8.6.1) indien nodig.
2. Schakel de boiler in (zie 4.1).
3. Controleer of alle onderdelen goed werken:
  - a) Controleer of de bedrijfscyclus van de boiler goed werkt.
  - b) Zorg er indien van toepassing voor dat het T&P-ventiel correct functioneert. Open het T&P-ventiel en zorg dat er water uit spuit.



---

#### Waarschuwing

Dit water kan heet zijn.

---

- c) Controleer of de drukreduceraansluiting van de inlaatcombinatie goed werkt. Open het drukreducerventiel en controleer of er water uit spuit.

# 11

# Storingen

## 11.1

## Storingen en waarschuwingen

De boiler kan drie verschillende storingen aangeven:

- Algemene storingen die niet worden weergegeven
- Weergegeven storingen (zie 11.1.2) onderverdeeld in twee groepen:
  - Vergrendelstoringen: wanneer de oorzaak is verholpen, kunt u de storing resetten om de boiler weer te laten werken. De code wordt weergegeven en het uitroepteken knippert.
  - Blokkeerstoringen: wanneer de oorzaak is verholpen, wordt de storing automatisch gereset om de boiler weer te laten werken. De code wordt weergegeven en het uitroepteken knippert.
- Weergegeven waarschuwingen (zie 11.1.3)



### Opmerking

Het is mogelijk om de geschiedenis van de storingen van de boiler te bekijken, raadpleeg Storingsgeschiedenis (zie 9.8).

### 11.1.1

### Algemene storingen



### Opmerking

Raadpleeg het Elektrisch schema (zie A.5) voor de codering van de aansluitingen.

Indicatie	Oorzaak	Maatregel
Waterlekkage	Er lekt water uit een wateraansluiting met schroefdraad.	Aansluiting met schroefdraad aandraaien.
	Een andere boiler, of pijpsegment in de buurt lekt.	Lekkage opsporen.
	De tank van de boiler lekt.	Contact opnemen met de leverancier van uw boiler.

Indicatie	Oorzaak	Maatregel
<b>Onvoldoende, of geen warm water</b>	De boiler is uitgeschakeld.	Schakel de boiler in (zie 4.1).
	De temperatuur is te laag ingesteld.	Stel het setpoint hoger in.
	Er is geen voedingsspanning.	Controleer of: <ul style="list-style-type: none"> <li>De isolator in de positie <b>ON</b> staat.</li> <li>De isolator van voeding wordt voorzien.</li> <li>Het elektrisch aansluitblok van voeding wordt voorzien.</li> </ul> De gemeten spanning moet 400 V <sub>AC</sub> (-15%, +10%) zijn.
	Er is geen warm water meer.	Het gebruik van warm water verminderen. Wacht tot de boiler is opgewarmd.
	Er is een veiligheidsvoorziening geactiveerd.	<ul style="list-style-type: none"> <li>Let erop dat de spanning tussen de aansluitingen van de verwarmingselementen 230VAC (-15%, +10%) is.</li> <li>Zie de indicatie "Er is een veiligheidsvoorziening geactiveerd", volgende pagina.</li> </ul>
<b>Aardlekschakelaar is uitgevallen</b>	Er zit niet voldoende water in de tank.	<ul style="list-style-type: none"> <li>Zorg dat de boiler gevuld is met water.</li> </ul>
	Een van de verwarmingselementen is defect.	<ul style="list-style-type: none"> <li>Meet de weerstandswaard tussen alle elementaansluitingen en de buitenkant van de tank. De waarde moet oneindig zijn.</li> <li>Stel vast welk element defect is.</li> </ul>
<b>Er is een veiligheidsvoorziening geactiveerd</b>	De hoofdveiligheidsthermostaat (G1) is geactiveerd	<ul style="list-style-type: none"> <li>Zorg dat de boiler volledig gevuld is.</li> <li>Water aftappen zodat de temperatuur in de boiler zakt.</li> <li>Let erop dat alle aansluitingen correct zijn aangesloten (zie het aansluitschema).</li> <li>Gebruik de witte knop om de thermostaat handmatig te resetten.</li> <li>Vervang indien nodig de veiligheids-thermostaat (G1).</li> </ul>
	De rij-veiligheidsthermostaat (G2) is geactiveerd.	<ul style="list-style-type: none"> <li>Water aftappen zodat de temperatuur in de boiler zakt.</li> <li>Let erop dat alle aansluitingen correct zijn aangesloten (zie het aansluitschema).</li> <li>Gebruik de rode knop om de thermostaat handmatig te resetten.</li> <li>Vervang indien nodig de veiligheids-thermostaat (G2).</li> </ul>

## 11.1.2



## Weergegeven storingsen

### Opmerking

Raadpleeg [Elektrisch schema](#) (zie A.5) voor de codering van de aansluitingen.

### Opmerking

Neem contact op met uw onderhoudsmonteur wanneer de storing niet is verholpen.

### Opmerking

Elke storing heeft een code en beschrijving. De code bestaat uit 7 tekens: XXX-XXXX. Als er een storing in de boiler is, zijn de twee cijfers voor het streepje (XXX-XXXX) belangrijk voor het vaststellen van de storing.

NL

Code en beschrijving	Oorzaak	Maatregel
<b>045</b> <b>(blokkeerstoring)</b> <b>Sensorstoring</b> Bovenste sensor kort- gesloten	Sensor is niet (juist) aangesloten.	<ul style="list-style-type: none"> <li>Controleren of de connector is aangesloten op J5 pen 2 en 3.</li> <li>Controleren of de draad is aangesloten op de sensor.</li> </ul>
	Beschadigde bedrading en/of defecte sensor.	De bedrading en/of de sensor vervangen.
<b>047</b> <b>(blokkeerstoring)</b> <b>Sensorstoring</b> Bovenste sensor open	Kortsluiting in het sensorcircuit.	De bedrading en/of de sensor vervangen.
<b>0A5</b> <b>(vergendelstoring)</b> <b>Temperatuurstoring</b> Max. temperatuur overschreden (of thermische zekering geactiveerd)	De hoofdveiligheidsthermostaat (G1) is geactiveerd.	<ul style="list-style-type: none"> <li>Zorg dat de boiler volledig gevuld is.</li> <li>Water aftappen zodat de temperatuur in de boiler zakt.</li> <li>Let erop dat alle aansluitingen correct zijn aangesloten, zie het <a href="#">elektrische schema</a> (zie A.5).</li> <li>Gebruik de witte knop om de thermostaat handmatig te resetten.</li> <li>Vervang indien nodig de veiligheids-thermostaat (G1).</li> <li>Zet de stroom naar de boiler uit en aan om de storing te resetten.</li> </ul>
	De thermische zekering heeft het regelcircuit onderbroken.	<ul style="list-style-type: none"> <li>Controleer wat de buitensporige temperatuurstijging van het elementgebied veroorzaakt.</li> <li>Meet de weerstandswaarde van de thermische zekering. De waarde moet &lt;5 Ohm zijn.</li> <li>Indien nodig, de bedrading van de thermische zekering vervangen.</li> <li>Zet de stroom naar de boiler uit en aan om de storing te resetten.</li> </ul>
<b>4F1</b> <b>(blokkeerstoring)</b> <b>Communicatiestoring</b> Geen communicatie tussen besturingspaneel en display.	De bedrading is beschadigd.	<ul style="list-style-type: none"> <li>Controleer of de bedrading tussen het besturingspaneel en het display is aangesloten en niet is beschadigd.</li> <li>Sluit de bedrading indien nodig aan of vervang deze.</li> </ul>

Code en beschrijving	Oorzaak	Maatregel
<b>031 - 038 (blokkeerstoring)</b> <b>Storing stroomvoorziening</b>  Probleem met de stroomvoorziening	Voedingsspanning is onjuist.	De gemeten spanning moet 400 VAC (-15%, +10%) zijn.
	Spanning naar besturingspaneel is onjuist.	<ul style="list-style-type: none"> <li>Controleer of de bedrading tussen de 400-28VAC (E) is aangesloten en niet is beschadigd.</li> <li>Controleer de transformatorzeker- ing (F2)</li> </ul> De gemeten spanning naar het besturing- paneel moet 28 VAC (-15%,+10%) zijn.
<b>XXX (vergrendelstoring)</b> <b>Besturingsstoring</b>  Hardwarestoring	Interne storingsmelding van de bestur- ing.	<ul style="list-style-type: none"> <li>Zet de stroom naar de boiler uit en aan om de storing te resetten.</li> <li>Vervang de besturing wanneer de storing zich blijft voordoen.</li> </ul>

### 11.1.3

### Waarschuwingen



#### Opmerking

Raadpleeg het Elektrisch schema (zie A.5) voor de codering van de aansluitingen.

Indicatie	Oorzaak	Opmerking
<b>40D</b> <b>Geen stroom gedetec- teerd</b>  Geen stroom gedetecteerd in een of meer verwar- mingscircuit(s).	Beschadigde bedrading en/of defect ver- warmingselement.	Voer een <u>prestatiecontrole</u> (zie 10.3) uit.
	Beschadigde bedrading en/of defecte stroomsensor.	<ul style="list-style-type: none"> <li>Zorg ervoor dat de bedrading van stroomsensoren (D) van de elementen correct is.</li> <li>De bedrading en/of de sensor vervan- gen.</li> </ul>



U kunt de bijgesloten garantiekaart invullen en retourneren om uw boiler te registreren. U kunt uw boiler ook online registreren via de website A.O. Smith.

### **Artikel 1: Algemene garantie**

Wanneer, na controle en na goeddunken van A.O. Smith een onderdeel of gedeelte (met uitzondering van de staal-geëmailleerde tank) van een boiler geleverd door A.O. Smith binnen twee jaar na de oorspronkelijke installatiedatum defect blijkt te zijn, of niet goed werkt door de fabricage en/of andere defecten aan zal A.O. Smith dit onderdeel of gedeelte repareren of vervangen.

### **Artikel 2: Garantie op de tank**

Wanneer, na controle en na goeddunken van A.O. Smith, de met staal-geëmailleerde tank van een boiler geleverd door A.O. Smith binnen drie jaar na de oorspronkelijke installatiedatum lekt door roest of corrosie aan de waterzijde, zal A.O. Smith aanbieden om de defecte boiler te vervangen door een geheel nieuwe boiler van gelijk formaat en gelijke kwaliteit. De garantieperiode voor de vervangende boiler zal gelijk zijn aan de resterende garantieperiode van de oorspronkelijk geleverde boiler. Niettegenstaande hetgeen eerder vermeld in dit artikel, zal de garantieperiode worden verkort tot een jaar gerekend vanaf de oorspronkelijke installatiedatum wanneer er niet gefilterd, of verzacht water is gebruikt, of in de boiler heeft gestaan.

### **Artikel 3: Voorwaarden voor installatie en gebruik**

De garantie vermeld in Artikel 1 en 2 is alleen van toepassing wanneer aan de volgende voorwaarden is voldaan:

- Bij het installeren van de boiler zijn de installatie-instructies van A.O. Smith voor het specifieke model, en de installatievoorwaarden en bouwvoorschriften, regelgeving en voorschriften ten tijde van de installatie volledig nageleefd.
- De boiler blijft geïnstalleerd op de oorspronkelijke installatielocatie.
- De boiler wordt uitsluitend gebruikt in combinatie met drinkwater dat altijd vrij kan circuleren (voor het verwarmen van zout water of corrosief water is een afzonderlijk geïnstalleerde warmtewisselaar verplicht).
- De tank wordt beschermd tegen schadelijke kalkvorming en kalkaanslag door middel van periodiek onderhoud.
- De watertemperatuur in de boiler is niet hoger dan de maximale instelling van de thermostaten die onderdeel zijn van de boiler.
- De waterdruk en/of warmtebelasting overstijgen de maximale waarden vermeld op de specificatieplaat van de boiler niet.
- De boiler is geïnstalleerd in een niet-corrosieve atmosfeer of omgeving.

- De boiler is aangesloten op een beschermde koudwatertoevoer die door de betreffende instantie is goedgekeurd; met voldoende vermogen voor dit doel; die een waterdruk levert die niet hoger is dan de bedrijfsdruk vermeld op de boiler; en waar van toepassing door een gelijke goedgekeurde temperatuur- en drukreducerventiel; geïnstalleerd in overeenstemming met de installatie-instructies van A.O. Smith die van toepassing zijn op het specifieke model boiler, en in overeenstemming zijn met de nationale en plaatselijke installatievoorwaarden en bouwvoorschriften, regels en voorschriften.
- De boiler is altijd voorzien van een kathodische bescherming. Wanneer voor dit doel opofferingsanodes worden gebruikt, moeten deze worden vervangen zodra deze voor 60% of meer zijn verbruikt. Wanneer elektrische anodes worden gebruikt, is het van belang dat deze worden gecontroleerd op een goede werking.

#### Artikel 4: Uitzonderingen

De garantie vermeld in Artikel 1 en 2 is niet van toepassing wanneer:

- de schade aan de boiler veroorzaakt is door een externe factor;
- er sprake is van oneigenlijk gebruik, verwaarlozing (ook vorstschade), aanpassingen, onjuist en/of ongeautoriseerd gebruik van de boiler en pogingen om lekkages te repareren;
- vuil of andere substanties de tank zijn binnengedrongen;
- de geleidbaarheid van het water minder is dan 125  $\mu\text{S}/\text{cm}$  en/of de hardheid (aardalkali-ionen) van het water minder is dan 1,00 mmol/ (zie 8.2.3) liter;
- niet gefilterd, gerecirculeerd water door de boiler stroomt, of in de boiler wordt opgeslagen;
- er pogingen zijn gedaan om een defecte boiler te repareren door een niet erkende onderhoudsmonteur.

#### Artikel 5: Omvang van de garantie

Onder de verplichtingen van A.O. Smith krachtens de geboden garantie valt niet een gratis transport vanaf de fabriek van de onderdelen of de gedeeltes van de boiler die vervangen moeten worden; het transport, arbeidskosten, installatiekosten en andere kosten behorende bij de vervanging, zullen niet voor rekening komen van A.O. Smith.

#### Artikel 6: Claims

Een claim gegrond op de gespecificeerde garantie moet bij de dealer waar de boiler is aangeschaft, of een andere geautoriseerde dealer van producten van A.O. Smith Water Products Company worden ingediend. In een van de laboratoria van A.O. Smith Water Products Company vindt een inspectie van de boiler plaats zoals vermeld in Artikel 1 en 2.

#### Artikel 7: Verplichtingen van A.O. Smith

A.O. Smith geeft geen andere garantie of waarborg voor de boilers, noch voor de (onderdelen of gedeeltes van) boilers die ter vervanging zijn geleverd, anders dan de garantie die expliciet in deze Artikelen is vermeld.

Onder de voorwaarden van de toegepaste garantie, is A.O. Smith niet aansprakelijk voor persoonlijk letsel, of schade aan eigendommen veroorzaakt door (onderdelen of gedeeltes, of de staal-geëmailleerde tank van) een (vervangende) boiler die zij hebben geleverd.

# Index

## A

Aansluitschema.....	111
Aansprakelijkheid.....	75
Afronden.....	116, 138
Aftappen.....	117
Afvoeren.....	105
Algemene storingen.....	139
Alarmuitgang.....	114

## B

Bedieningspaneel.....	91, 91
Bedrijfsmodi.....	93
Boiler.....	107
Buitengebruikstelling.....	117

## C

Circulatie-aansluiting.....	112
Conformiteit.....	77
Contactinformatie.....	78
Copyright.....	75

## D

De boiler inschakelen.....	95
De boiler kortstondig uitschakelen.....	96
De boiler uitschakelen.....	96, 117
De boiler voor een lange periode uitschakelen.....	96
De helderheid van het display instellen... 130	
De tank ontkalken.....	136
De temperatuurseenheid instellen.....	129
De uitgang functie alarm instellen.....	128
Display.....	91, 119
Displayknoppen.....	92
Documentaanduiding.....	80
Doelgroep.....	79

## E

Ecostand.....	94, 123
Elektrische aansluitingen.....	112
Externe aan/uit.....	115

## G

Garantie.....	75, 143
Gebruik.....	95
Gedeelte over de installatie en het onderhoud.....	97
Gedeelte voor de gebruiker.....	85

## H

Handelsmerk.....	75
Handelsmerken.....	75
Hysterese.....	120

## I

Inbedrijfstelling.....	116
Informatie over de boiler.....	99
Informatie over deze handleiding.....	79
Inhoud.....	79
Inleiding.....	87, 99
Inspecteer de anode.....	135
Installatie.....	109
Instellingen.....	119
Instructies op de boiler.....	102

## K

Koudwataeraansluiting.....	111
----------------------------	-----

## M

Maximale vloerbelasting.....	109
Milieu-aspecten.....	105

## N

Netvoeding.....	114
Notatieconventies.....	79

## O

OFF-modus.....	93
ON-modus.....	94
Offset tanksensor.....	122
Omgeving.....	109
Omgevingsomstandigheden.....	109
Onderhoud.....	135

Opbouw van de boiler.....107

---

**P**

Prestatie controleren..... 138

**NL**

---

**R**

Recyclen.....105

---

**S**

Schakel de boiler in.....116  
Schema ecostand..... 126  
Scherm instellingen..... 129  
Scherm licht aan instellen..... 130  
Setpoint..... 120  
Setpoint aanpassing.....124  
Setpoint alarm..... 128  
Setup alarmuitgang..... 127  
Standaardinstellingen herstellen..... 133  
Status van de boiler.....93  
Stel de tijd en datum in..... 125  
Storingen..... 139  
Storingen en waarschuwingen..... 139  
Storingsaantallen.....133  
Storingsgeschiedenis.....132  
Symbolen op het display..... 92

---

**T**

Taal instellen.....131  
Temperaturen..... 120  
Toestelinformatie..... 131  
Toestelstatus.....122

---

**V**

Veiligheid..... 89, 101  
Veiligheidsinstructies..... 101  
Veiligheidsvoorzieningen..... 103  
Verpakking..... 109  
Vorbereiding..... 113, 135  
Voorschriften..... 77  
Voorwoord.....75  
Vullen..... 116

---

**W**

Waarschuwingen..... 142  
Warmwateraansluiting..... 112  
Wateraansluitingen..... 111

Watersamenstelling.....110  
Watertemperatuur instellen.....95  
Waterzijdig onderhoud..... 135  
Weergegeven storingen..... 141  
Werkingsprincipe..... 99

# Préface

## Copyright

Copyright © 2024 A.O. Smith Water Products Company

Tous droits réservés.

Aucune partie de cette publication ne peut être copiée, reproduite et/ou publiée, par voie d'impression, de photocopie, ou par tout autre moyen que ce soit, sans l'approbation écrite préalable de A.O. Smith Water Products Company.

A.O. Smith Water Products Company se réserve le droit de modifier les caractéristiques techniques présentes dans ce manuel.

## Marques commerciales

Les noms de marques présents dans ce manuel sont des marques déposées de leurs propriétaires respectifs.

## Garantie

Reportez-vous à l'annexe [Garantie](#) (voir 12) pour connaître les conditions de la garantie.

## Responsabilité

### Utilisateur

A.O. Smith n'accepte aucune responsabilité lorsque le chauffe-eau n'est pas utilisé correctement et exige de l'utilisateur :

- de lire attentivement ce manuel et de suivre les instructions.
- de demander conseil à son installateur pour l'utilisation du chauffe-eau.
- d'assurer que les activités d'entretien et de maintenance sont effectuées par un technicien qualifié.
- de conserver le manuel, en bon état, près du chauffe-eau.

### Technicien d'installation

A.O. Smith n'accepte aucune responsabilité lorsque le chauffe-eau n'est pas utilisé correctement et exige du technicien d'installation :

- de lire attentivement ce manuel et de suivre les instructions.
- de s'assurer que l'ensemble de l'installation du chauffe-eau est conforme à la [réglementation](#) (à la page 149) en vigueur.
- de s'assurer que le chauffe-eau est testé avant la mise en service de l'installation.
- d'expliquer l'utilisation correcte à l'utilisateur.
- d'aviser l'utilisateur lorsque des activités d'entretien et de maintenance sont nécessaires.
- de s'assurer de remettre tous les manuels applicables.

## Fournisseur

Le chauffe-eau DRE PLUS est conçu conformément à la réglementation en vigueur. Le chauffe-eau est livré avec le marquage-CE et toute la documentation nécessaire au respect de cette réglementation. Voir la section sur la conformité.

A.O. Smith n'accepte aucune responsabilité pour les réclamations de tiers lorsque :

- les instructions pour l'installation correcte du chauffe-eau ne sont pas respectées.
- les instructions pour l'utilisation correcte du chauffe-eau ne sont pas respectées.
- le chauffe-eau n'était pas entretenu selon l'intervalle d'entretien approprié.

Pour plus d'informations, reportez-vous aux Conditions Générales de Vente. Celles-ci sont disponibles gratuitement sur demande.

Nous pensons que ce manuel vous apportera des descriptions précises et complètes de tous les composants concernés. Cependant, si vous détectez des erreurs ou des imprécisions dans ce manuel, veuillez en informer A.O. Smith. Cela nous aidera à améliorer plus avant notre documentation.

## Conformité

Pour produire en toute sécurité de l'eau chaude domestique, la conception et la construction des chauffe-eau DRE PLUS sont conformes :

- la Directive européenne 2014/35/UE relative aux appareils à basse tension (ABT),
- la Directive européenne 2014/30/UE sur la compatibilité électromagnétique (CEM),
- les Directives européennes 2011/65/UE et 2015/863/UE sur les substances dangereuses (RoHS II et RoHS III),
- la directive européenne 2009/125/CE relative à l'écoconception.

Reportez-vous à l'annexe Déclaration de conformité.

## Réglementations

En tant qu'installateur, technicien de service, technicien d'entretien ou utilisateur, vous devez vous assurer que l'ensemble de l'installation du chauffe-eau est conforme aux réglementations locales suivantes :

- réglementations en vigueur concernant les constructions de bâtiments ;
- directives concernant les installations électriques existantes, fournies par votre fournisseur d'énergie ;
- directives concernant les installations (électriques) et directives de mise en œuvre s'y rapportant ;
- directives concernant l'eau potable ;
- directives concernant l'élimination des eaux usées dans les bâtiments ;
- directives fournies par les services de sapeurs-pompiers, les fournisseurs d'énergie et la municipalité.

L'installation doit être conforme aux exigences d'installation du fabricant.



---

### Note

Pour toutes les réglementations, exigences et directives, des suppléments ou modifications ultérieures et/ou des ajouts au moment de l'installation sont possibles.

---

## Coordonnées de contact

Pour tout commentaire ou toute question, veuillez contacter :

A.O. Smith Water Products Company

Adresse : PO Box 70  
5500 AB Veldhoven  
Pays-Bas

Téléphone : +31 (0) 40 294 25 00

E-mail : [info@aosmith.com](mailto:info@aosmith.com)

Site Internet FR : [www.aosmith.fr](http://www.aosmith.fr)

Site Internet BE : [www.aosmith.be](http://www.aosmith.be)

En cas de problèmes concernant votre raccordement à l'électricité ou à l'eau, veuillez contacter votre fournisseur.

FR



# À propos de ce manuel

## Étendue

Ce manuel fournit des informations concernant l'utilisation sûre et correcte du chauffe-eau et indique comment effectuer correctement les opérations d'installation et d'entretien. Vous devez respecter les instructions fournies dans ce manuel.



---

### Attention

Veillez lire ce manuel avec attention avant de démarrer le chauffe-eau. La non-lecture du manuel et/ou le non-respect des instructions peuvent entraîner des blessures personnelles et des dommages au niveau du chauffe-eau.

---

Ce manuel a pour but :

- de décrire les principes de fonctionnement et la structure du chauffe-eau ;
- d'expliquer les dispositifs de sécurité ;
- de mettre en évidence les dangers éventuels ;
- de décrire l'utilisation du chauffe-eau ;
- de décrire les tâches d'installation et d'entretien du chauffe-eau.

Ce manuel se divise en deux parties :

- une partie Utilisateur, qui décrit l'utilisation correcte du chauffe-eau ;
- une partie Installation et entretien, indiquant les procédures correctes d'installation et d'entretien.

## Groupe ciblé

Les informations contenues dans ce manuel s'appliquent à trois groupes cibles:

- utilisateurs
- techniciens d'installation
- techniciens d'entretien

La partie Utilisateur est destinée aux utilisateurs (finaux). La partie Installation et entretien est destinée aux techniciens d'installation et d'entretien.

## Conventions d'annotations

Ce manuel utilise les conventions textuelles suivantes :

- Les chiffres entre parenthèses, tels que (1), se rapportent aux éléments d'une illustration décrits par le texte.
- Les références croisées aux sections, tableaux, illustrations, etc., sont soulignées et indiquées de la façon suivante : (voir « ... »). Dans la version numérique, les références croisées sont des hyperliens sur lesquels vous pouvez cliquer pour naviguer dans le manuel. Exemple : Sécurité (voir 2)

Ce manuel contient les styles de texte et les symboles suivants pour les situations susceptibles de présenter des dangers pour les utilisateurs ou les techniciens et de causer des dommages aux équipements, ou qui nécessitent une attention spéciale :



---

**Note**

Une remarque donne davantage d'informations sur un sujet.

---



---

**Attention**

Veillez à respecter les instructions appelant à faire attention, afin d'éviter d'endommager le chauffe-eau.

---



---

**Avertissement**

Veillez à respecter les instructions d'avertissement, afin d'éviter tout risque de blessure personnelle et tout dommage grave au chauffe-eau.

---

## Identification du présent document

Référence	Langue	Version
0313853	FR	4.0

# Table des matières

FR

<b>Préface.....</b>	<b>147</b>
Copyright.....	147
Marques commerciales.....	147
Garantie.....	147
Responsabilité.....	147
Conformité.....	149
Réglementations.....	149
Coordonnées de contact.....	150
<b>À propos de ce manuel.....</b>	<b>151</b>
Étendue.....	151
Groupe ciblé.....	151
Conventions d'annotations.....	151
Identification du présent document.....	152
<b>Partie Utilisateur.....</b>	<b>157</b>
<b>1 Introduction.....</b>	<b>159</b>
<b>2 Sécurité.....</b>	<b>161</b>
<b>3 Interface.....</b>	<b>163</b>
3.1 Panneau de commande.....	163
3.1.1 Écran.....	163
3.1.2 Boutons d'écran.....	165
3.2 État du chauffe-eau.....	165
3.2.1 Modes de fonctionnement.....	165
3.2.2 État de la panne.....	166
<b>4 Utilisation.....</b>	<b>169</b>
4.1 Mettre le chauffe-eau en marche.....	169
4.1.1 Régler la température de l'eau.....	169
4.2 Mettre le chauffe-eau à l'arrêt.....	170
4.2.1 Mettre l'appareil à l'arrêt pour une courte durée.....	170

4.2.2	Mettre l'appareil à l'arrêt pour une longue durée.....	170
-------	--	-----

**Partie Installation et entretien..... 171**

<b>5</b>	<b>Introduction.....</b>	<b>173</b>
5.1	À propos du chauffe-eau.....	173
5.2	Principe de fonctionnement.....	173
<b>6</b>	<b>Sécurité.....</b>	<b>175</b>
6.1	Instructions de sécurité.....	175
6.2	Instructions concernant le chauffe-eau.....	176
6.3	Dispositifs de sécurité.....	177
6.4	Aspects environnementaux.....	179
6.4.1	Recyclage.....	179
6.4.2	Mise au rebut.....	179
<b>7</b>	<b>Chauffe-eau.....</b>	<b>181</b>
7.1	Structure du chauffe-eau.....	181
<b>8</b>	<b>Installation.....</b>	<b>183</b>
8.1	Emballage.....	183
8.2	Conditions.....	183
8.2.1	Conditions ambiantes.....	183
8.2.2	Charge maximum au sol.....	184
8.2.3	Composition de l'eau.....	184
8.2.4	Espace de travail.....	184
8.3	Schéma d'installation.....	185
8.4	Raccords d'eau.....	185
8.4.1	Raccord d'eau froide.....	185
8.4.2	Raccord d'eau chaude.....	186
8.4.3	Raccord de circulation.....	186
8.5	Raccords électriques.....	186
8.5.1	Préparation.....	187
8.5.2	Alimentation secteur.....	188
8.5.3	Sortie d'alarme.....	188
8.5.4	MARCHE/ARRÊT externe.....	189
8.5.5	Finalisation.....	190
8.6	Mise en service.....	190
8.6.1	Remplissage.....	190
8.6.2	Mettre le chauffe-eau en marche.....	190
8.7	Mise hors service.....	191

8.7.1	Mettre le chauffe-eau à l'arrêt.....	191
8.7.2	Purge.....	191
<b>9</b>	<b>Paramètres.....</b>	<b>193</b>
9.1	Écran.....	193
9.2	Températures.....	194
9.2.1	Consigne.....	194
9.2.2	Hystérésis.....	194
9.2.3	Décalage capteur réservoir.....	196
9.3	État appareil.....	196
9.4	Mode économie.....	197
9.4.1	Réglage de consigne.....	198
9.4.2	Régler le jour et l'heure.....	199
9.4.3	Programme Mode économique.....	200
9.5	Configuration sortie alarme.....	201
9.5.1	Régler la fonction de sortie d'alarme.....	202
9.5.2	Consigne alarme.....	202
9.6	Réglages affichage.....	203
9.6.1	Régler l'unité de température.....	203
9.6.2	Régler la luminosité de l'écran.....	204
9.6.3	Régler le délai de rétroéclairage.....	204
9.6.4	Régler la langue.....	205
9.7	Informations appareil.....	205
9.8	Historique des pannes.....	206
9.9	Occurrence de panne.....	207
9.10	Rétablir réglages par défaut.....	207
<b>10</b>	<b>Entretien.....</b>	<b>209</b>
10.1	Préparation.....	209
10.2	Entretien du côté eau.....	209
10.2.1	Inspecter l'anode.....	209
10.2.2	Détartre le réservoir.....	210
10.3	Vérification des performances.....	211
10.4	Finalisation.....	212
<b>11</b>	<b>Pannes.....</b>	<b>213</b>
11.1	Pannes et avertissements.....	213
11.1.1	Pannes générales.....	213
11.1.2	Pannes affichées.....	215
11.1.3	Avvertissements.....	216

<b>12</b>	<b>Garantie.....</b>	<b>217</b>
	<b>Index.....</b>	<b>219</b>

**FR**

# Partie Utilisateur





# 1

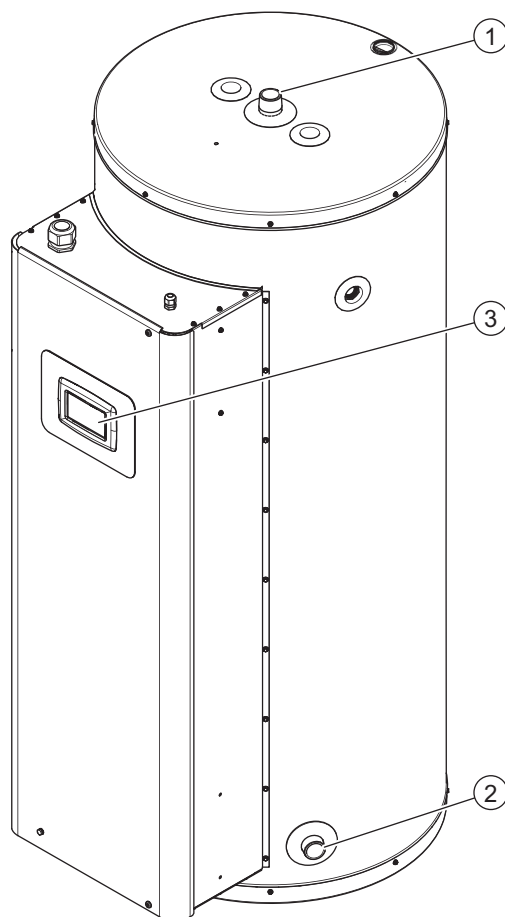
## Introduction

Le chauffe-eau DRE PLUS accumule et chauffe l'eau pour les besoins sanitaires.

L'eau froide pénètre dans le réservoir, via l'admission d'eau (2). L'eau chauffée quitte le réservoir par le haut, via la sortie eau chaude (1). Lorsque l'on utilise de l'eau chaude, le réservoir du chauffe-eau est rempli de la même quantité d'eau froide.

L'écran (3) permet d'utiliser le chauffe-eau.

Fig. Chauffe-eau DRE PLUS



- 1. Sortie d'eau
- 2. Admission d'eau
- 3. Écran



A.O. Smith ne saurait être tenu pour responsable des dommages ou blessures résultant des points suivants :

- le non-respect des instructions fournies dans ce manuel
- négligence pendant l'utilisation ou l'entretien du chauffe-eau.

Tous les utilisateurs doivent étudier la partie Utilisateur de ce manuel et respecter à la lettre les instructions présentes dans cette partie du manuel. Il ne faut pas modifier l'ordre des actions à réaliser. Ce manuel doit être mis à la disposition de l'utilisateur et du technicien d'entretien à tout moment.



---

**Avertissement**

Si vous détectez une odeur de brûlé :

- Coupez l'alimentation secteur.
  - Alertez les services d'urgence.
- 



---

**Attention**

Ne stockez pas et n'utilisez pas de substances chimiques dans la pièce où est installé le chauffe-eau, car il y a alors un risque d'explosion et de corrosion du chauffe-eau. Certains gaz propulseurs, agents de blanchiment et agents de dégraissage, etc., émettent des vapeurs explosives et/ou entraînent une accélération de la corrosion. Si le chauffe-eau est utilisé dans une pièce dans laquelle des substances de ce genre sont utilisées ou stockées, la garantie devient nulle et non avenue.

**Attention**

L'installation et l'entretien doivent uniquement être réalisés par un technicien qualifié.

**Attention**

Le chauffe-eau n'est pas conçu pour être utilisé par des personnes dont les capacités physiques, sensorielles ou mentales sont limitées ou ne disposant pas de l'expérience et des connaissances nécessaires. Lorsque la personne responsable de leur sécurité supervise ou a expliqué comment utiliser le chauffe-eau, ces personnes sont autorisées à l'utiliser.

**Attention**

Ce chauffe-eau ne doit pas être utilisé par des enfants de moins de 16 ans. Les enfants doivent faire l'objet d'une surveillance permanente et il faut s'assurer qu'ils ne jouent pas avec le chauffe-eau.

---



---

**Note**

Un entretien régulier permet de rallonger la durée de vie utile du chauffe-eau. Pour déterminer les intervalles d'entretien appropriés, le technicien d'entretien doit vérifier le chauffe-eau trois mois après l'installation. Selon les résultats de cette vérification, il est possible de déterminer l'intervalle d'entretien optimal.

---



# 3 Interface

## 3.1 Panneau de commande

Le panneau de commande consiste en un écran (tactile) pour naviguer dans le menu et sur lequel les réglages, fonctions, valeurs et pannes peuvent être visualisés et saisis.

L'écran est entièrement guidé par menu et permet à l'utilisateur de modifier les paramètres et de vérifier l'état et l'historique du chauffe-eau.

### 3.1.1 Écran

L'écran peut afficher deux types de masque différents :

- Un écran d'accueil qui affiche des textes et des symboles pour indiquer l'état actuel du chauffe-eau.
- Un écran de contrôle où plus d'informations sur le chauffe-eau sont affichées et où vous pouvez changer les réglages.

Fig. Écran - Écran d'accueil

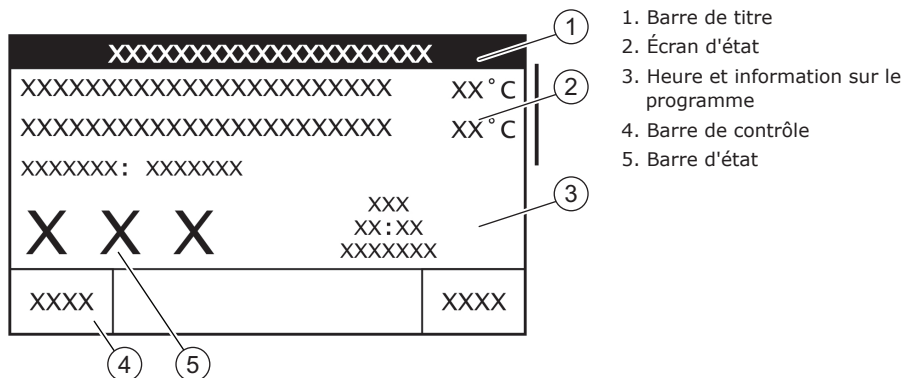
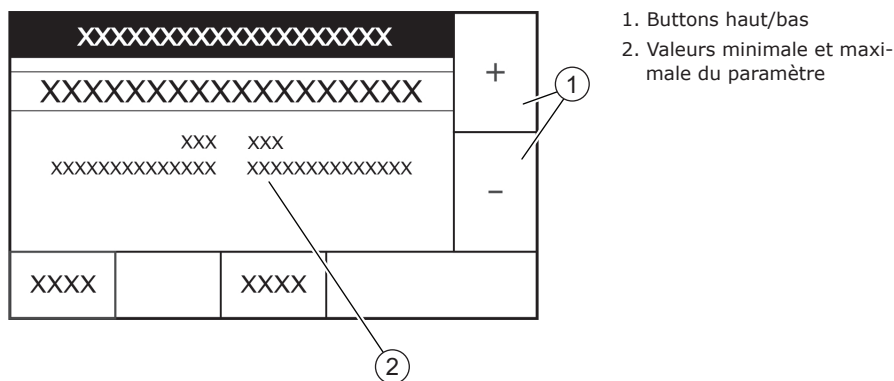







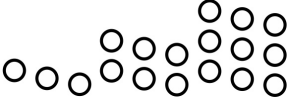
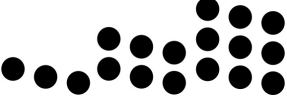
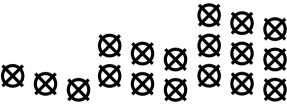



Fig. Écran - Écran de contrôle



### 3.1.1.1

### Symboles sur l'écran

Les symboles présents sur l'affichage fournissent des informations visuelles concernant l'état du chauffe-eau.

Symbole	Description
	Il y a une demande de chaleur.
	La température de l'eau augmente.
	Fin de chauffage d'eau (veille).
	La température de l'eau baisse.
	Le chauffe-eau n'est pas en mesure de lancer le cycle de chauffage.
	Les icônes des éléments chauffants pour un chauffe-eau avec une, deux ou trois rangées d'éléments. Les cercles ouverts représentent les éléments chauffants qui ne sont pas sous tension.
	L'icône d'élément chauffant pour un chauffe-eau avec une, deux ou trois rangées d'éléments. Les cercles pleins représentent les éléments chauffants qui sont sous tension et parcourus d'un courant électrique.
	L'icône d'élément chauffant pour un chauffe-eau avec une, deux ou trois rangées d'éléments. Les cercles pleins représentent les éléments chauffants qui sont sous tension et pas parcourus d'un courant électrique.
	Le système de commande est en mode de chauffage.
	Panne.
	Avertissement.

FR

### 3.1.2

## Boutons d'écran

Les boutons sur l'écran permettent de commander le menu du chauffe-eau.

Bouton	Fonction
[MENU]	Se rendre au menu
[RETOUR]	Un pas en arrière dans le menu Les réglages modifiés ne seront pas sauvegardés
[ACCEPT]	Sauvegarder les réglages modifiés
[+]	Augmenter la valeur
[-]	Diminuer la valeur
[>]	Entrer dans le sous-menu
[▲]	Défilement vers le haut/Augmentation de valeur
[▼]	Défilement vers le bas/Diminution de valeur


FR

## 3.2

## État du chauffe-eau

Pendant le fonctionnement, l'affichage indique l'état du chauffe-eau.

Fig. Affichage

Temp. réservoir 60°C	
Consigne 60°C	
État: En veille	
	Mer 14:45 ORDINAIRE
MENU	

Les textes d'état suivants peuvent s'afficher à l'écran :

Texte d'état	Description
<b>Veille</b>	Le chauffe-eau ne chauffe pas parce qu'il n'y a pas de demande de chaleur.
<b>Chauffage</b>	Le chauffe-eau chauffe l'eau.
<b>Panne</b>	Le cycle de chauffage est arrêté parce que le contrôleur a détecté une panne.

### 3.2.1

## Modes de fonctionnement

Le DRE PLUS dispose de 3 modes de fonctionnement :

- Mode ARRÊT (voir 3.2.1.1)

- [Mode MARCHÉ](#) (voir 3.2.1.2)
- [Mode économique](#) (voir 3.2.1.3)

### 3.2.1.1

#### Mode ARRÊT

En **mode ARRÊT**, le chauffe-eau est désactivé. Contactez votre technicien d'entretien si vous souhaitez utiliser cette fonctionnalité.

En **mode ARRÊT**, le chauffe-eau n'est pas protégé contre le gel.

Pour mettre l'appareil de chauffage en mode ARRÊT :

1. Ouvrez les [entrées de validation externes 1 et 2](#) (voir 8.5).

### 3.2.1.2

#### Mode MARCHÉ

En **mode MARCHÉ**, le chauffe-eau répond en permanence à la demande de chaleur. Les éléments chauffants électriques sont activés lorsqu'il y a une demande de chaleur.



##### Note

Le mode MARCHÉ est le mode de fonctionnement par défaut lorsque les entrées de validation externe 1 et 2 ne sont pas utilisées (les deux entrées sont court-circuitées en usine). Cela signifie que les éléments chauffants sont activés lorsque l'alimentation secteur est connectée au chauffe-eau.

### 3.2.1.3

#### Mode économique

En **Mode économique**, le chauffe-eau répond continuellement à la demande de chaleur en fonction d'une consigne réduite appelée Consigne économique. La Consigne économique est définie par la [consigne du mode MARCHÉ](#) (voir 4.1.1) moins l'[ajustement du point de consigne](#) (voir 9.4).

Le **Mode économique** peut être activé de deux façons :

- En utilisant le programme hebdomadaire dans le [menu du Mode économique](#) (voir 9.4). Ceci n'est possible que si les [entrées de validation externes 1 et 2](#) (voir 8.5) sont correctement réglées.
- En utilisant directement les [entrées de validation externes 1 et 2](#) (voir 8.5). Contactez votre technicien d'entretien si vous souhaitez utiliser cette fonctionnalité.

### 3.2.2

#### État de la panne

En cas de panne ou d'avertissement, l'écran clignote et affiche une petite description de la panne ou de l'avertissement.

Appuyez sur **[RETOUR]** pour revenir à l'écran d'accueil. L'écran d'accueil affiche le point d'exclamation, ou un point d'interrogation pour un avertissement. Pour les pannes, l'état devient Panne.

Fig. État de panne

Temp. réservoir		35 °C
Consigne		60 °C
État: Erreur: XXXXXXXXXXXXXXXX		
	Mer	
	18:45	
	NORMAL	
MENU		



Si l'écran affiche une panne :

1. Mettez en arrêt le sectionneur entre le chauffe-eau et l'alimentation secteur pour réinitialiser le chauffe-eau.



---

**Note**

Contactez votre technicien d'entretien ou votre fournisseur si le chauffe-eau ne redémarre pas ou si l'écran indique de nouveau la panne.

---



# 4

# Utilisation

## 4.1

### Mettre le chauffe-eau en marche



**Attention**

Assurez-vous que le chauffe-eau est rempli d'eau avant d'allumer le chauffe-eau.

Mettez en marche le sectionneur entre le chauffe-eau et l'alimentation secteur pour démarrer le chauffe-eau.

### 4.1.1

#### Régler la température de l'eau

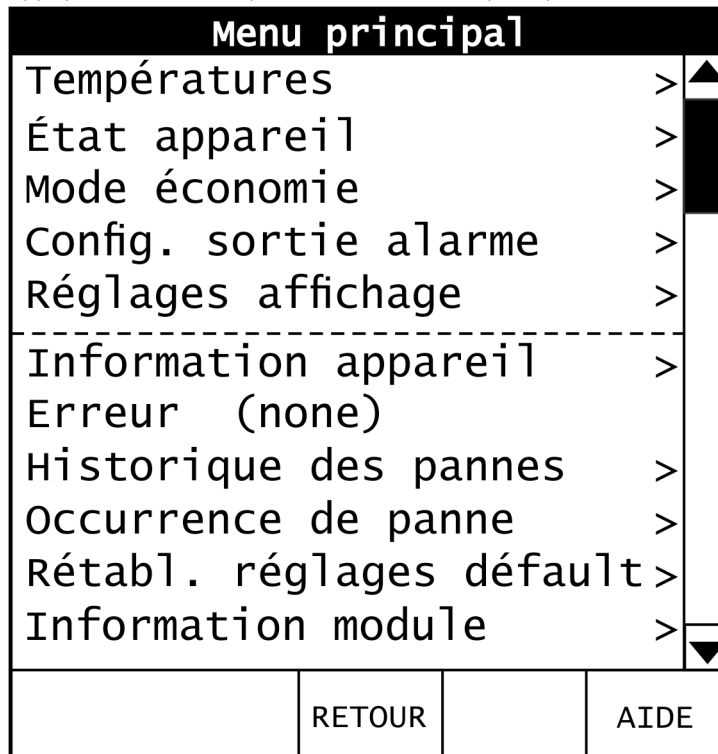


**Attention**

Réglez de préférence la consigne de température sur 60 °C. L'entartrage nocif et l'accumulation de calcaire seront plus élevés lorsque vous réglez la consigne sur 65°C et plus. À des températures plus basses, le risque de fortes concentrations de légionelles dans l'eau est plus élevé.

Pour modifier la consigne de la température :

1. Appuyez sur **[MENU]** pour afficher le menu principal.



2. Ouvrez le sous-menu **Températures**.

Températures			
Consigne	60 °C	>	▲
1er différentiel	1 °C	>	■
2ème différentiel	1 °C	>	■
3ème différentiel	1 °C	>	■
Temp. réservoir	60 °C		■
Offset capteur réservoir	0 °C	>	▼
	RETOUR		AIDE

3. Ouvrez l'écran de commande **Consigne**.

Consigne		+
60 °C		
MIN 32 °C	MAX 83 °C	-
ACCEPT	RETOUR	

4. Modifier la consigne de température de l'eau :
- Utiliser **[+]** pour augmenter la consigne.
  - Utiliser **[-]** pour diminuer la consigne.
5. Appuyez sur **[ACCEPT]** pour confirmer la valeur ou appuyez sur **[RETOUR]** pour revenir à l'écran précédent.

## 4.2

### Mettre le chauffe-eau à l'arrêt

#### 4.2.1

#### Mettre l'appareil à l'arrêt pour une courte durée

Pour éteindre le chauffe-eau pour une période de moins de 2 mois, réglez le chauffe-eau en **mode ARRÊT** (voir 3.2.1.1).



#### Note

Si le chauffe-eau reste en **mode ARRÊT** pendant plus de 2 mois et qu'il n'y a pas d'évacuation d'eau, des bulles d'air peuvent se former dans le chauffe-eau. Cela peut entraîner une pénétration d'air dans les tuyaux d'eau.

#### 4.2.2

#### Mettre l'appareil à l'arrêt pour une longue durée

Si le chauffe-eau doit être mis à l'arrêt pendant plus de deux mois, contactez votre technicien d'entretien pour qu'il mette le chauffe-eau hors service.

# Partie Installation et entretien



# 5 Introduction

## 5.1 À propos du chauffe-eau

Le chauffe-eau DRE PLUS est prévu pour chauffer l'eau pour les besoins sanitaires.

Le DRE PLUS est un chauffe-eau électrique à accumulation. Les éléments chauffants électriques transfèrent leur chaleur directement à l'eau.

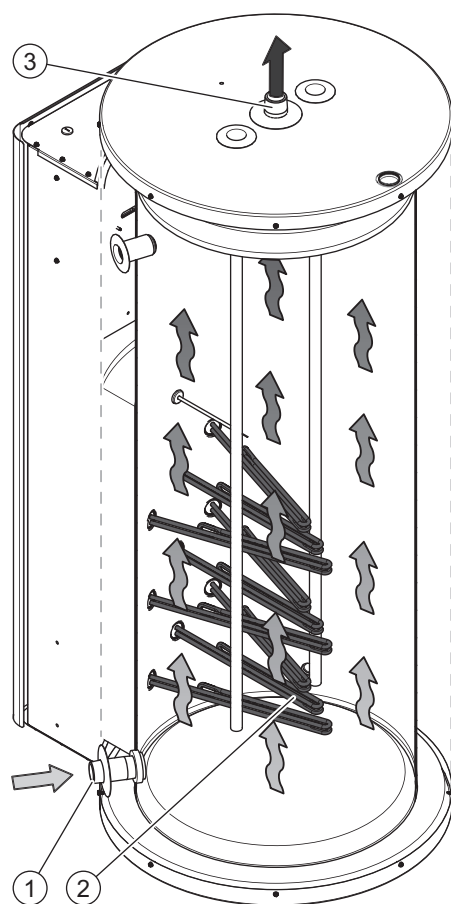
## 5.2 Principe de fonctionnement

L'eau froide pénètre dans la partie inférieure du réservoir, via l'admission d'eau (1). Les éléments chauffants (2) transfèrent leur chaleur directement à l'eau et l'eau chaude quitte le réservoir via la sortie eau chaude (3) située sur la partie supérieure du réservoir. Le réservoir du chauffe-eau doit être totalement rempli pendant le fonctionnement. Au moins le réservoir doit rester à tout moment sous pression d'alimentation en eau. De l'eau froide fraîche est immédiatement ajoutée lorsque l'eau chaude est tirée du chauffe-eau.

Selon le modèle, le chauffe-eau comporte 1, 2 ou 3 rangées de 3 éléments chauffants chacune. Le DRE PLUS est équipé d'un capteur de température qui mesure la température de l'eau à l'extérieur du réservoir. Le capteur est connecté au système de commande.

Lorsque la température de l'eau descend en dessous de la température de consigne, les éléments chauffants sont activés et l'eau est chauffée.

Illustration : chauffe-eau DRE PLUS



1. Admission d'eau
2. Éléments chauffants
3. Sortie d'eau

FR



# 6

# Sécurité

## 6.1

### Instructions de sécurité

Pour obtenir les instructions de sécurité concernant l'utilisation du chauffe-eau, reportez-vous à la section Sécurité (voir 2), dans la partie Utilisateur de ce manuel.



---

#### Avertissement

Les tâches d'installation et d'entretien doivent être réalisées par des techniciens qualifiés, conformément aux réglementations générales et locales imposées par les sociétés de distribution de l'eau et de l'électricité et par les services de sapeurs-pompiers.

#### Avertissement

Le chauffe-eau doit être installé sur un sol ou une surface ininflammable.

#### Avertissement

Coupez le chauffe-eau de l'alimentation secteur avant d'entamer des tâches d'entretien ou de réparation. Laissez le chauffe-eau hors tension jusqu'à ce que vous soyez prêt à le mettre en service.



---

#### Attention

Le chauffe-eau ne doit être déplacé qu'en position verticale. Après le déballage, assurez-vous que le chauffe-eau n'est pas endommagé.

#### Attention

Remplissez complètement le chauffe-eau avant de l'utiliser. Un démarrage à sec endommagerait le chauffe-eau.

#### Attention

La protection d'anode demeure active lorsque le chauffe-eau est réglé sur le mode ARRÊT.

#### Attention

De l'eau peut s'écouler du tuyau de décharge du dispositif de décharge. Ce tuyau doit être laissé ouvert à l'atmosphère.

#### Attention

Faites fonctionner régulièrement le dispositif de décharge pour éliminer les dépôts calcaires et vérifier qu'il n'est pas obstrué.

#### Attention

Lors de l'installation du chauffe-eau, vous avez besoin d'un groupe de sécurité de l'ensemble d'admission. Le groupe de sécurité de l'ensemble d'admission et les raccords associés ne sont pas inclus dans l'emballage. Le groupe de sécurité de l'ensemble d'admission doit être adapté à un niveau de pression d'eau allant jusqu'à 800 kPa. Installez le groupe de sécurité d'ensemble d'admission le plus près possible du chauffe-eau.

---



---

**Avertissement**

N'installez jamais un obturateur ou un clapet anti-retour entre le groupe de sécurité d'ensemble d'admission et le chauffe-eau.

---



---

**Attention**

Le chauffe-eau est destiné à être raccordé au réseau d'eau de façon permanente. N'utilisez pas de jeu de tuyaux pour raccorder le chauffe-eau.

---



---

**Note**

Toute fuite présente au niveau du réservoir et/ou des raccordements peut endommager l'environnement immédiat ou les étages situés sous la chaufferie. Installez le chauffe-eau au-dessus d'un dispositif de purge des eaux usées ou dans un plateau métallique de réception des fuites approprié.

Le plateau doit disposer d'un dispositif de purge des eaux usées approprié et doit avoir une profondeur minimum de 5 cm et une largeur minimum supérieure de 5 cm à la largeur du chauffe-eau.

**Note**

Le chauffe-eau est fourni sans câble d'alimentation et sans sectionneur. Utilisez un câble d'alimentation avec des fils d'un diamètre approprié en fonction de la longueur du câble et du courant.

**Note**

Choisissez et installez un sectionneur omnipolaire de catégorie III avec un espace de contact d'au moins 3 mm. Le sectionneur omnipolaire doit être intégré dans le câblage fixe conformément aux règles de câblage.

---

## 6.2

### Instructions concernant le chauffe-eau



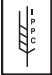

Le boîtier du chauffe-eau présente des instructions de sécurité.

- Le texte « Lire les instructions d'installation avant d'installer l'appareil ».
- Le texte « Lire les instructions utilisateur avant de mettre l'appareil en marche ».
- Le texte « Câbles sous tension à l'intérieur ! Mettez l'appareil complètement hors tension (par l'isolateur local) avant d'ouvrir la porte extérieure pour accéder aux composants électriques. »
- Le texte « Vérifiez tous les raccordements électriques à vis avant la mise en service et après toute opération d'entretien ou de maintenance. »
- Le texte « Des soupapes de température et de pression doivent être installées aux points de raccordement désignés. »
- Le texte « Une soupape de décharge doit être montée sur le circuit d'alimentation en eau froide. »
- Le texte « La garantie sera caduque si l'appareil n'est pas entretenu conformément aux instructions de maintenance et si la qualité de l'eau ne répond pas aux critères des réglementations mentionnées dans les instructions d'installation. »

L'emballage comporte également des instructions de sécurité.

- Le texte « Lire les instructions d'installation avant d'installer l'appareil ».
- Le texte « Lire les instructions utilisateur avant de mettre l'appareil en marche ».

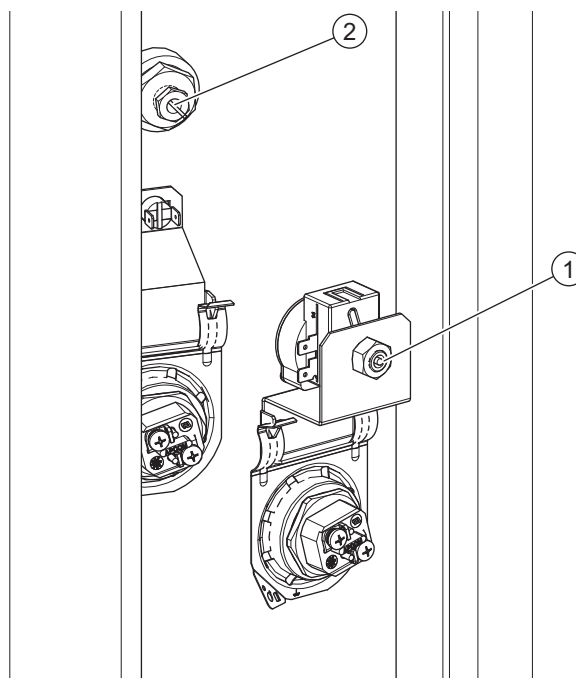
- Des pictogrammes de sécurité :

	Marqué CE
	Marqué UKCA
	Emballage conforme à la norme NIMP 15
	Apportez l'appareil dans un dépôt municipal dédié à la collecte des déchets électriques et électroniques (voir 6.4.2)

## 6.3

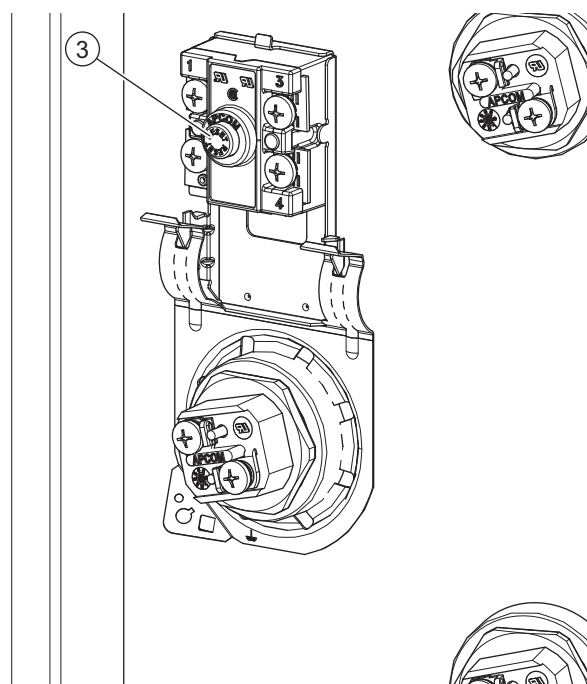
## Dispositifs de sécurité

Fig. Thermostat de sécurité principal



1. Thermostat de sécurité principal - corps
2. Thermostat de sécurité principal - sonde

Fig. Thermostat de sécurité de rangée



3. Thermostat de sécurité de rangée

FR

### Dispositifs de sécurité du chauffe-eau :

<b>Thermostat de sécurité principal (G1)</b>	Le thermostat de sécurité principal (G1) coupe le circuit de commande lorsque la température de l'eau est trop élevée ( $>92^{\circ}\text{C} \pm 3^{\circ}\text{C}$ ). Le thermostat principal de sécurité protège également les éléments chauffants lorsque le chauffe-eau est mis en marche alors qu'il n'est pas rempli d'eau. La sonde du thermostat de sécurité principal (G1) est installée au-dessus de l'élément central de la rangée la plus haute. Vous pouvez utiliser le bouton blanc sur le corps du thermostat pour réinitialiser manuellement le thermostat lorsque la température de l'eau a baissé ( $<83^{\circ}\text{C}$ ). Assurez-vous que le chauffe-eau est complètement rempli d'eau avant de réinitialiser le thermostat.
<b>Thermostat de sécurité de rangée (G2)</b>	Le thermostat de sécurité de rangée (G2) coupe le circuit (L1 et L2) de chaque rangée d'éléments lorsque la température de l'eau devient trop élevée ( $>93^{\circ}\text{C} \pm 3^{\circ}\text{C}$ ) en raison d'une défaillance du circuit de commande. Vous pouvez utiliser le bouton rouge pour réinitialiser manuellement le thermostat lorsque la température de l'eau a baissé ( $<83^{\circ}\text{C}$ ).
<b>Fusible thermique</b>	Le fusible thermique est intégré dans le câblage du thermostat de sécurité principal (G1) et coupe le circuit de commande lorsqu'il détecte une surchauffe de la zone des éléments. Le fusible thermique ne peut pas être réinitialisé. Le câblage complet, avec le fusible thermique, doit être remplacé.

## Dispositifs de sécurité de l'installation :

---

**Réducteur de pression** Le réducteur de pression réduit la pression d'alimentation en eau, si nécessaire.

---

**Soupape température et pression (TP) (1)** la soupape température et pression empêche les augmentations excessives de pression et de température dans le réservoir.

---

1- Toutes les installations sont dotées d'un raccord pour soupape TP. L'utilisation d'une soupape TP est obligatoire.

## 6.4

## Aspects environnementaux

FR

### 6.4.1

### Recyclage



Le matériau d'emballage est écologique, recyclable et relativement facile à mettre au rebut.

### 6.4.2

### Mise au rebut



Les vieux appareils en fin de vie contiennent des matériaux devant être recyclés. Lorsque vous mettez au rebut des appareils arrivés à la fin de leur durée de vie utile, vous devez respecter la législation locale se rapportant à la mise au rebut des déchets.

Ne mettez jamais votre ancien appareil au rebut avec les déchets ménagers. Apportez l'appareil dans un dépôt municipal dédié à la collecte des déchets électriques et électroniques. Si nécessaire, demandez conseil à votre fournisseur ou à votre technicien d'entretien.



# 7

# Chauffe-eau

## 7.1

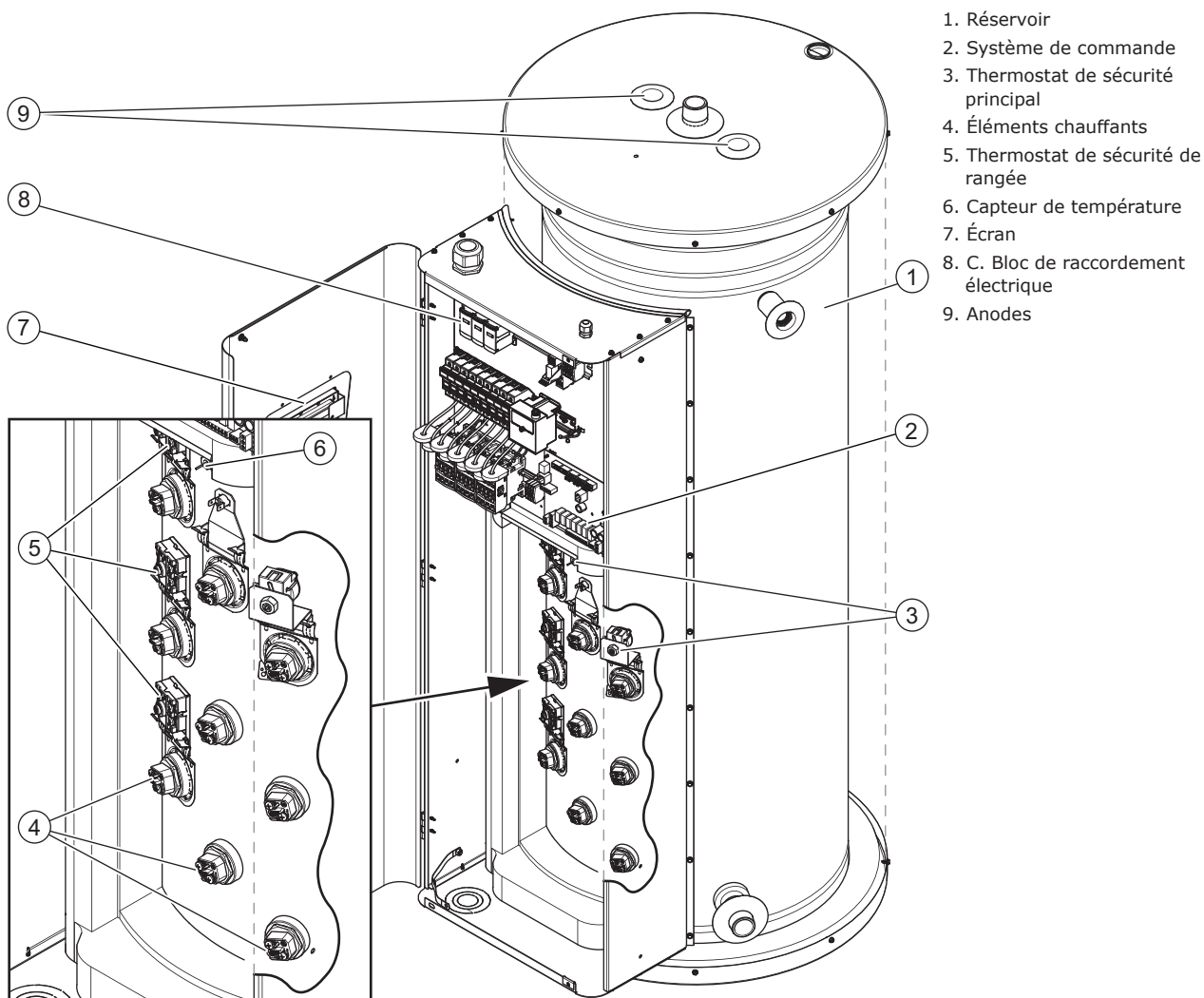
## Structure du chauffe-eau

Le chauffe-eau comporte les composants principaux suivants :

**Réservoir (1)** L'eau est stockée et chauffée dans le réservoir.

**Éléments chauffants (4)** L'eau est chauffée par les éléments chauffants.

Fig. Composants du chauffe-eau







# 8

# Installation



---

**Avertissement**

L'installation doit être réalisée par une personne qualifiée, conformément aux règlementations (à la page 149) générales et locales en vigueur.

---



---

**Attention**

N'utilisez pas le chauffe-eau dans des pièces où sont stockées ou utilisées des substances chimiques, car il y a alors un risque d'explosion ou de corrosion du chauffe-eau. Certains gaz propulseurs, agents de blanchiment et agents de dégraissage, etc., émettent des vapeurs explosives et/ou entraînent une accélération de la corrosion. Si le chauffe-eau est utilisé dans une pièce dans laquelle des substances de ce genre sont utilisées ou stockées, la garantie devient nulle et non avenue.

**Attention**

Ce chauffe-eau est conçu pour une utilisation en intérieur uniquement.

---

Pour obtenir des instructions de sécurité supplémentaires, reportez-vous à la section Instructions de sécurité (voir 6.1).

## 8.1

### Emballage

A.O. Smith vous recommande de déballer le chauffe-eau à l'endroit où il doit être installé ou à proximité de cet endroit. Retirez le matériau d'emballage avec précaution pour ne pas endommager le chauffe-eau.

## 8.2

### Conditions



---

**Avertissement**

Le chauffe-eau doit être installé sur un sol ou une surface ininflammable.

---

### 8.2.1

#### Conditions ambiantes

Le site d'installation ne doit pas soumis au gel. Si nécessaire, adaptez le site d'installation pour qu'il ne gèle pas.

Assurez-vous que les conditions ambiantes sont adaptées pour éviter tout dysfonctionnement des parties électroniques du chauffe-eau.

Humidité de l'air et température ambiante	
Humidité de l'air	Max. 93 % RH à + 25 °C
Température ambiante	Plage de fonctionnement : $0 < T < 40$ °C

## 8.2.2

### Charge maximum au sol

Reportez-vous au constructeur du bâtiment et aux spécifications générales présentes dans les annexes pour vous assurer que la charge maximum au sol est suffisante pour supporter le poids du chauffe-eau.

## 8.2.3

### Composition de l'eau

L'eau doit être conforme aux réglementations en matière d'eau potable pour la consommation humaine.

Composition de l'eau	
Dureté de l'eau	> 1,00 mmol/l : <ul style="list-style-type: none"><li>• Dureté allemande &gt; 5,6° dH</li><li>• Dureté française &gt; 10,0° fH</li><li>• Dureté anglaise &gt; 7,0° eH</li><li>• <math>\text{CaCO}_3</math> &gt; 100 ppm</li></ul>
Conductivité	> 125 $\mu\text{S}/\text{cm}$
Acidité (valeur du pH)	7,0 - 9,5



#### Note

La qualité de l'eau peut nuire à l'efficacité, au rendement et à la durée de vie du chauffe-eau, voir la Garantie. (à la page 147) Si les spécifications de l'eau diffèrent de celles indiquées dans le tableau, un spécialiste du traitement de l'eau devrait être consulté.

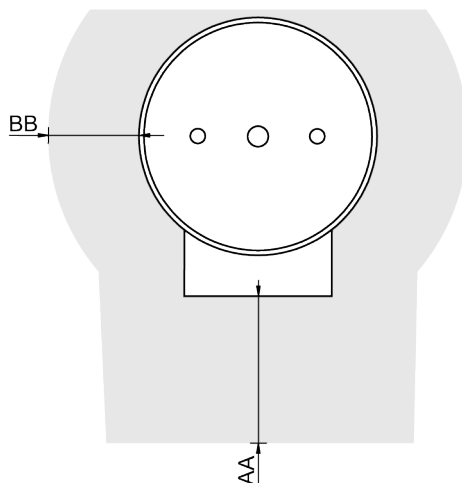
## 8.2.4

### Espace de travail

Vérifiez qu'il y a un espace suffisant pour accéder au chauffe-eau :

- 100 cm devant le chauffe-eau (AA).
- 50 cm à gauche et à droite du chauffe-eau (BB).
- 100 cm au-dessus du chauffe-eau.

Illustration : Espace de travail

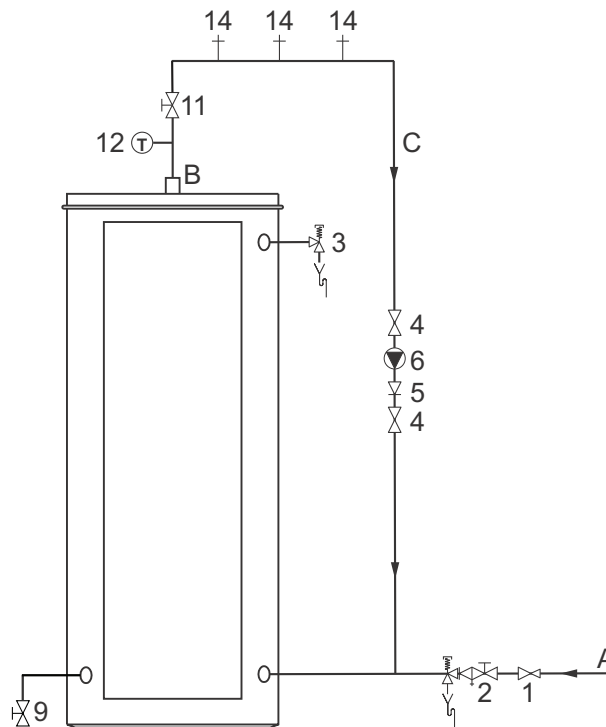


IMD-1449 R0

## 8.3

## Schéma d'installation

Illustration : Schéma d'installation



1. Réducteur de pression (obligatoire si la pression d'alimentation en eau est trop élevée)
  2. Groupe de sécurité de l'ensemble d'admission
  3. Soupape TP (obligatoire)
  4. Obturateur (recommandé)
  5. Clapet anti retour
  6. Pompe de circulation (option)
  9. Robinet de vidange
  11. Obturateur d'entretien
  12. Thermomètre (option)
  14. Point de vidange
- A. Alimentation en eau froide  
B. Sortie eau chaude  
C. Conduite de circulation (option)



### Note

Utilisez ce schéma d'installation pour :

- installer les raccords d'eau (voir 8.4) ;
- remplir le chauffe-eau ; (voir 8.6.1)
- purger le chauffe-eau.

## 8.4

## Raccords d'eau

### 8.4.1

### Raccord d'eau froide



#### Attention

Lors de l'installation du chauffe-eau, vous avez besoin d'un groupe de sécurité de l'ensemble d'admission. Le groupe de sécurité de l'ensemble d'admission et les raccords associés ne sont pas inclus dans l'emballage. Le groupe de sécurité de l'ensemble d'admission doit être adapté à un niveau de pression d'eau allant jusqu'à 800 kPa. Installez le groupe de sécurité d'ensemble d'admission le plus près possible du chauffe-eau.



#### Avertissement

N'installez jamais un obturateur ou un clapet anti-retour entre le groupe de sécurité d'ensemble d'admission et le chauffe-eau.

#### Avertissement

Le chauffe-eau est destiné à être raccordé au réseau d'eau de façon permanente. N'utilisez pas de jeu de tuyaux pour raccorder le chauffe-eau.

Installer le raccord d'eau froide

1. Si la pression d'alimentation en eau est trop élevée, installez un réducteur de pression (1). Reportez-vous à la section Détails techniques.
2. Installez un groupe de sécurité d'ensemble d'admission (2).
3. Raccordez le raccord de débordement du groupe de sécurité d'ensemble d'admission à un tuyau d'eaux usées ouvert.

## 8.4.2

### Raccord d'eau chaude

---

#### Note

Isolez les longs tuyaux d'eau chaude pour éviter toute perte inutile d'énergie.

---



Installer le raccord d'eau chaude

1. Installez un obturateur (11) dans le tuyau de sortie eau chaude pour effectuer des tâches d'entretien.
2. Installez une soupape température et pression (3).
3. Le cas échéant, installez un thermomètre (12).

## 8.4.3

### Raccord de circulation

---

Installez un système de circulation si un débit immédiat d'eau chaude est requis aux points de vidange. Cela améliore le confort et réduit le gaspillage d'eau.

---

#### Note

Raccordez la conduite de circulation (C) au raccord d'arrivée d'eau froide.



#### Note

Assurez-vous que la pompe de circulation présente le bon niveau de capacité pour la longueur et la résistance du système de circulation.

---

Installer une pompe de circulation

1. Installez une pompe de circulation (6).
2. Installez un clapet anti-retour (5) en aval de la pompe de circulation, pour garantir le sens de circulation.
3. Installez un obturateur (4) en amont de la pompe de circulation.
4. Installez un obturateur (4) en aval du clapet anti retour.
5. Raccordez la conduite de circulation (C) à l'entrée d'eau froide, entre le chauffe-eau et le groupe de sécurité de l'ensemble d'admission (2).

## 8.5

### Raccords électriques

---

#### Avertissement

Laissez le chauffe-eau hors tension jusqu'à ce que vous soyez prêt à le mettre en service.

---



## 8.5.1

### Préparation

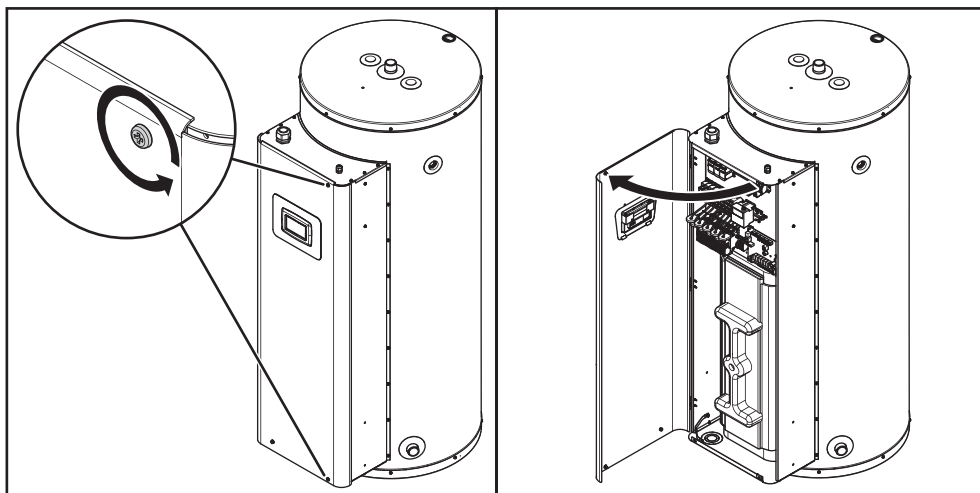
Ouvrez la porte du chauffe-eau pour rendre visibles la section électrique et le bloc de raccordement électrique.



#### Avertissement

Câbles sous tension à l'intérieur ! Mettez l'appareil complètement hors tension (par l'isolateur local) avant d'ouvrir la porte extérieure pour accéder aux composants électriques.

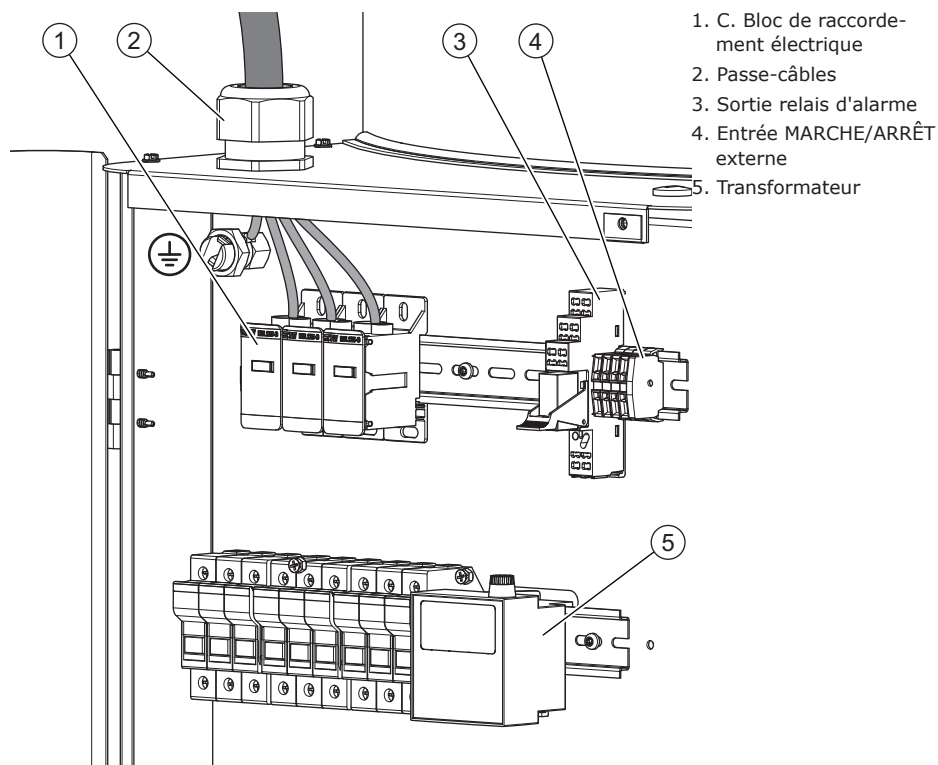
Fig. Ouvrez la porte



FR

Les raccordements d'alimentation secteur doivent être raccordés au bloc de raccordement électrique. Reportez-vous à la section Structure du chauffe-eau (voir 7.1).

Fig. Bloc de raccordement électrique



## 8.5.2

### Alimentation secteur



#### Note

Le chauffe-eau est fourni sans câble d'alimentation et sans sectionneur. Utilisez un câble d'alimentation avec des fils d'un diamètre approprié en fonction de la longueur du câble et du courant.

#### Note

Choisissez et installez un sectionneur omnipolaire de catégorie III avec un espace de contact d'au moins 3 mm. Le sectionneur omnipolaire doit être intégré dans le câblage fixe conformément aux règles de câblage.

#### Note

Ce sectionneur doit être installé dans la même pièce que l'appareil, avec un marquage approprié et à une distance maximale d'un mètre du chauffe-eau.

#### Note

La longueur du fil de terre du secteur, qui est relié au raccordement électrique, doit être plus longue que le fil de phase du secteur (L1, L2 et L3).

Raccorder le chauffe-eau à l'alimentation secteur

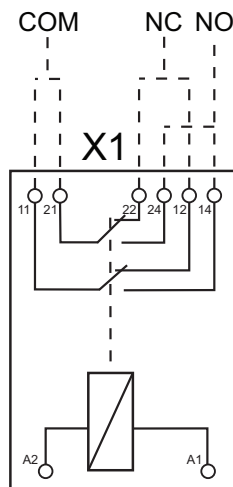
1. Tirez le câble d'alimentation à travers le passe-câble.
2. Connectez le fil sous tension (L1, L2 et L3) et le fil de terre (A) du câble d'alimentation aux bornes du bornier.
3. Raccordez le câble d'alimentation à l'isolateur.
4. Fixez le câble d'alimentation dans le passe-câble.

## 8.5.3

### Sortie d'alarme

La sortie d'alarme vous permet de transmettre l'état d'alarme à un dispositif externe. La sortie d'alarme est un relais.

	Raccordements	
	Alimentation	Sortie
Normalement Ouvert (NO)	11	14
	21	24
Normalement Fermé (NC)	11	12
	21	22



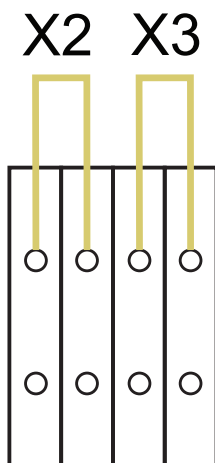
Pour utiliser la sortie d'alarme :

1. Raccordez une alimentation (250V/10A max.) à l'une des bornes d'alimentation (11 ou 21).
2. Connectez la borne de sortie (NC : 12 ou 22 et NO : 14 ou 24) à votre appareil externe.

### 8.5.4

### MARCHE/ARRÊT externe

Les contacts MARCHE/ARRÊT externes peuvent être utilisés pour commander le chauffe-eau.



Mode	Consigne	Contacts externes
On	Normal	X2 = Fermé X3 = Fermé
Off	-	X2 = Ouvert X3 = Ouvert
Économique	Économique (consigne normale moins l'ajustement de la Consigne économique)	X2 = Fermé X3 = Ouvert
Programme hebdomadaire	Commute entre Normal et Économique selon le programme	X2 = Ouvert X3 = Fermé

L'appareil est livré avec deux shunts sur X2 et X3. Vous pouvez retirer les shunts pour régler l'appareil de façon permanente sur un mode. Vous pouvez également remplacer le shunt par un interrupteur ou un relais externe afin d'ouvrir/fermer le contact à distance.



#### Attention

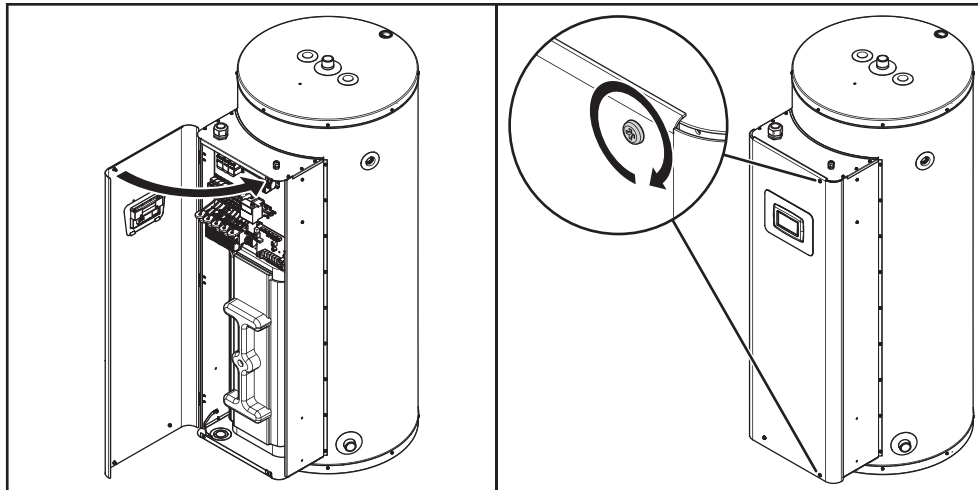
N'appliquez pas de tension à ces bornes.

## 8.5.5

### Finalisation

Lorsque tous les raccordements sont terminés, fermez la porte du chauffe-eau.

Fig. Mise en place du couvercle



FR

## 8.6

### Mise en service

Pour mettre le chauffe-eau en service :

1. Remplissez le chauffe-eau (voir 8.6.1)
2. Mettre le chauffe-eau en marche

### 8.6.1

#### Remplissage

Reportez-vous au schéma d'installation lors du remplissage du chauffe-eau :

1. Si présente, ouvrez les vannes d'arrêt (4) dans la conduite de circulation (C).
2. Assurez-vous que le robinet de vidange (9) est fermé.
3. Ouvrez le point de prélèvement d'eau chaude (14) le plus proche.
4. Ouvrez la vanne du groupe de sécurité d'ensemble d'admission (2) dans le tuyau d'alimentation en eau froide (A). De l'eau froide entre dans le chauffe-eau.
5. Remplissez le chauffe-eau jusqu'à ce qu'un jet d'eau complet s'écoule du point de vidange le plus proche. Le chauffe-eau est totalement plein.
6. Ouvrez tous les points de vidange pour fuir l'ensemble de l'installation. Le chauffe-eau est maintenant sous pression d'alimentation d'eau.
7. Assurez-vous qu'il n'y ait pas d'eau sortant du clapet de décharge du groupe de sécurité d'ensemble d'admission (2) ou de la soupape température et pression (3). Si de l'eau s'écoule :
  - Vérifiez si la pression d'alimentation en eau est supérieure à la valeur spécifiée dans les Détails techniques. Si nécessaire, installez un réducteur de pression (1).
  - Vérifiez si le clapet de décharge du groupe de sécurité d'ensemble d'admission de l'installation d'alimentation en eau froide protégée est installé correctement et s'il n'est pas défectueux. Si nécessaire, remplacez le clapet de surpression.
8. Fermez tous les points de prélèvement d'eau chaude.

### 8.6.2

#### Mettre le chauffe-eau en marche



##### Attention

Lorsque vous mettez le chauffe-eau en marche pour la première fois, assurez-vous que la date et l'heure sont réglées. Reportez-vous au [menu des réglages du Mode économique](#) (voir 9.4).

Reportez-vous à la procédure indiquée dans la partie Utilisateur pour [Mettre le chauffe-eau en marche](#) (voir 4.1).



## 8.7

### Mise hors service

Pour mettre le chauffe-eau hors service

1. [Mettre le chauffe-eau à l'arrêt](#) (voir 8.7.1)
2. [Purgez le chauffe-eau](#) (voir 8.7.2)

#### 8.7.1

#### Mettre le chauffe-eau à l'arrêt

Reportez-vous à la procédure indiquée dans la partie Utilisateur pour [Mettre le chauffe-eau à l'arrêt](#) (voir 4.2) et isoler le chauffe-eau de l'alimentation secteur.

#### 8.7.2

#### Purge

Reportez-vous au schéma d'installation lors de la purge du chauffe-eau :

1. Le cas échéant, fermez l'obturateur d'entretien (11) dans le tuyau d'alimentation en eau chaude.
2. Si présente, fermez les vannes d'arrêt (4) dans la conduite de circulation (C).
3. Fermez la vanne (2) du groupe de sécurité d'ensemble d'admission (A).
4. Ouvrez le robinet de vidange (9).
5. Ventilez l'air de l'ensemble de l'installation jusqu'à ce que le chauffe-eau ait été entièrement purgé.
6. Si le chauffe-eau doit être complètement vidangé, débranchez-le et inclinez-le dans la direction du robinet de vidange.



# 9

# Paramètres

## 9.1

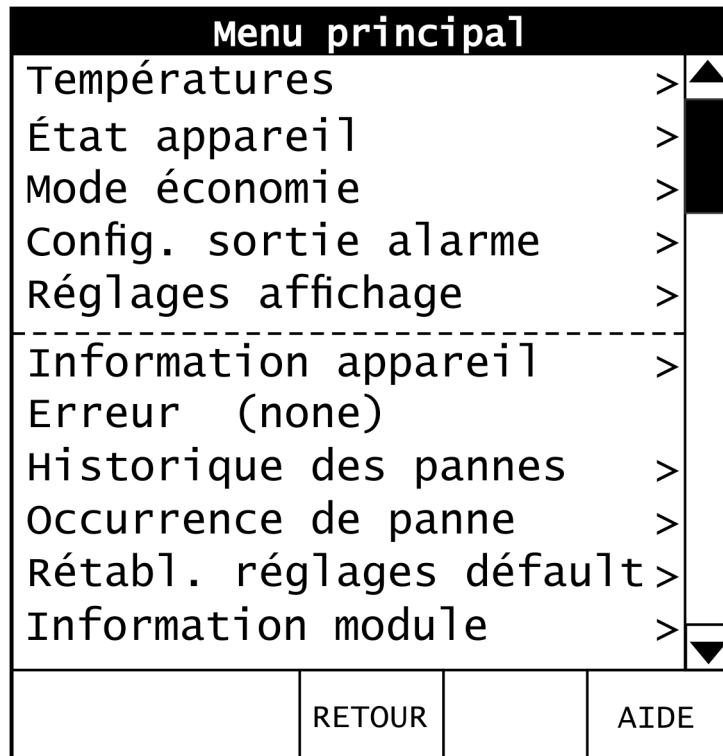
### Écran

L'écran est entièrement guidé par menu et permet à l'utilisateur de modifier les paramètres et de vérifier l'état et l'historique du chauffe-eau.

Pour de plus amples informations sur le mode d'utilisation de l'écran, reportez-vous à Interface opérateur (voir 3.1).

Sur l'écran, appuyez sur **[MENU]** pour accéder au menu principal.

Fig. Menu principal



Le menu principal se compose de sous-menus. Utilisez la barre de défilement sur le côté droit pour faire défiler le menu.

Appuyez sur une ligne avec un **[>]** pour ouvrir ce sous-menu spécifique. Appuyez sur **[RETOUR]** pour revenir à l'écran précédent.

## 9.2

## Températures

Le sous-menu **Températures** affiche la consigne de température, les différentiels, la température réelle de l'eau dans le chauffe-eau et le décalage du capteur réservoir.

Fig. Sous-menu Température

Températures			
Consigne	60 °C	>	▲
1er différentiel	1 °C	>	
2ème différentie	1 °C	>	
3ème différentie	1 °C	>	
Temp. réservoir	60 °C		
Offset capteur réservoir	0 °C	>	▼
	RETOUR		AIDE

Appuyez sur une ligne avec un [**>**] pour régler la consigne ou pour régler le différentiel. Appuyez sur [**RETOUR**] pour revenir à l'écran précédent.

### 9.2.1

#### Consigne



##### Attention

Réglez de préférence la consigne de température sur 60 °C. L'entartrage nocif et l'accumulation de calcaire seront plus élevés lorsque vous réglez la consigne sur 65°C et plus. À des températures plus basses, le risque de fortes concentrations de légionelles dans l'eau est plus élevé.

Pour modifier la consigne de la température :

1. À partir du sous-menu **Températures**, ouvrez l'écran de commande **Consigne**.

Consigne			
60 °C			+
MIN		MAX	
32 °C		83 °C	-
ACCEPT		RETOUR	

2. Modifier la consigne de température de l'eau :
  - a) Utiliser [**+**] pour augmenter la consigne.
  - b) Utiliser [**-**] pour diminuer la consigne.
3. Appuyez sur [**ACCEPT**] pour confirmer la valeur ou appuyez sur [**RETOUR**] pour revenir à l'écran précédent.

### 9.2.2

#### Hystérésis

Le chauffe-eau ne démarre pas immédiatement lorsque la température de l'eau est inférieure au point de consigne de la température. Pour éviter que le chauffe-eau ne se mette en marche et à l'arrêt trop souvent, il y a une marge : l'hystérésis.

L'hystérésis est déterminée par le nombre de rangées d'éléments et le réglage du différentiel de chaque rangée. La séquence de mise sous tension des rangées est la suivante : la première rangée mise sous tension est la dernière rangée qui sera mise hors

tension. La consigne de fonctionnement par défaut est de 60° et le différentiel est de 1°C. Avec ces réglages, les rangées sont activées comme indiqué dans le tableau ci-dessous.

Pour régler le différentiel :

- Ouvrez l'écran de commande du 1er différentiel.

1er différentiel			
1°C			+
MIN 1°C		MAX 11°C	-
ACCEPT		RETOUR	

- Modifiez la consigne du différentiel :
  - Utiliser **[+]** pour augmenter la consigne.
  - Utiliser **[-]** pour diminuer la consigne.
- Appuyez sur **[ACCEPT]** pour confirmer la valeur ou appuyez sur **[RETOUR]** pour revenir à l'écran précédent.

La valeur par défaut du différentiel est de 1 °C.

Exemple 1 : réglage par défaut

Numéro de rangée	Différentiel	Activation à la température (Turn On)	Désactivation à la température (Turn Off)
Rangée 3 (rangée supérieure)	1°C	< 57°C	> 58°C
Rangée 2 (rangée centrale)	1°C	< 58°C	> 59°C
Rangée 1 (rangée inférieure)	1°C	< 59°C	> 60°C

Exemple 2 : différentiels différents

Numéro de rangée	Différentiel	Activation à la température (Turn On)	Désactivation à la température (Turn Off)
Rangée 3 (rangée supérieure)	4°C	< 49°C	> 53°C
Rangée 2 (rangée centrale)	5°C	< 53°C	> 58°C
Rangée 1 (rangée inférieure)	2°C	< 58°C	> 60°C

### 9.2.3

### Décalage capteur réservoir

Si la température indiquée pour le réservoir ne correspond pas à la température réelle de l'eau, modifiez le Décalage capteur réservoir.

Pour modifier le Décalage capteur réservoir :

1. A partir du sous-menu **Températures**, ouvrez l'écran de commande Décalage capteur réservoir.

<b>offset capteur réserv.</b>		+
0 °C		
MIN -3 °C	MAX 3 °C	-
ACCEPT	RETOUR	

2. Modifiez le décalage de température :
  - a) Utiliser **[+]** pour augmenter le décalage.
  - b) Utiliser **[-]** pour diminuer le décalage.
3. Appuyez sur **[ACCEPT]** pour confirmer la valeur ou appuyez sur **[RETOUR]** pour revenir à l'écran précédent.

## 9.3

### État appareil

Le sous-menu **État appareil** affiche des informations détaillées sur l'appareil :

État	L'état actuel de l'appareil.
Rangées d'éléments	Nombre de rangées d'éléments dans l'appareil.
Lim. contact thermostat	Fermé : la température est inférieure au maximum Ouvert : La température a été supérieure au maximum et le circuit de protection de la température s'est activé.
Activation externe 1	Entrée 1 ouverte ou fermée.
Activation externe 2	Entrée 2 ouverte ou fermée.
Élément rangée x actif	Les éléments de cette rangée sont actifs.
Condition d'alarme	Oui : la sortie relais a été déclenchée par une alarme. Non : pas d'alarme.
Alarme reconnue	Non utilisé.
Alarm relay output	Fermée : la sortie relais a été déclenchée par une alarme. Ouverte : pas d'alarme.

Fig. Sous-menu État appareil

État appareil							
État:	En veille ▲						
Rangées d'éléments	0						
Lim. contact thermostat	Fermé						
Activation externe 1	Fermé						
Activation externe 2	Fermé						
Élément rangée 1 actif	Non						
-----	-----						
Élément rangée 2 actif	Non						
Élément rangée 3 actif	Non						
Condition d'alarme	Non						
Alarme reconne	Non						
Sortie relais d'alarme	Ouvert ▼						
<table border="1" style="width: 100%; text-align: center;"> <tr> <td style="width: 33%;"></td> <td style="width: 33%;">RETOUR</td> <td style="width: 33%;"></td> </tr> <tr> <td></td> <td></td> <td>AIDE</td> </tr> </table>			RETOUR				AIDE
	RETOUR						
		AIDE					

FR

## 9.4

### Mode économie

Le sous-menu **Mode économie** présente les paramètres utilisés pour régler la Consigne économique et les périodes de fonctionnement en Mode économique.

Dans ce menu, vous pouvez changer le mode utilisé pour chaque jour :

- **NORMAL** : l'appareil bascule entre le mode NORMAL et le mode ECO en fonction de la programmation que vous avez réglée. Le réglage par défaut est le suivant :
  - Heure de début pour le mode NORMAL : 00:00
  - Heure de fin pour le mode NORMAL : 23:59
  - Lorsque vous modifiez l'heure de début, l'appareil fonctionne en mode ECO à partir de 00:00, puis passe en mode NORMAL à l'heure de début.
  - Lorsque vous modifiez l'heure de fin, l'appareil passe en mode ECO à l'heure de fin.

- ECO : l'appareil fonctionnera en mode ECO toute la journée

Mode économie			
Réglage de consigne	11°C	>	▲
Heure actuelle	Mar 15:05	>	
Appareil en mode économie	No	>	
Dimanche	NORMAL	>	
-Démarrage mode normal	00:00	>	
-Fin mode normal	23:59	>	
-----			
Lundi	NORMAL	>	
-Démarrage mode normal	00:00	>	
-Fin mode normal	23:59	>	
Mardi	NORMAL	>	
-Démarrage mode normal	00:00	>	
-Fin mode normal	23:59	>	
Mercredi	NORMAL	>	
-Démarrage mode normal	00:00	>	
-Fin mode normal	23:59	>	
Jeudi	NORMAL	>	
-Démarrage mode normal	00:00	>	
-Fin mode normal	23:59	>	
Vendredi	NORMAL	>	
-Démarrage mode normal	00:00	>	
-Fin mode normal	23:59	>	
Samedi	NORMAL	>	
-Démarrage mode normal	00:00	>	
-Fin mode normal	23:59	>	▼
	RETOUR		AIDE

Fig. sous-menu Mode économie

### 9.4.1

#### Réglage de consigne



##### Attention

Avec des températures inférieures à 60°C, le risque de concentrations élevées de légionelles dans l'eau est plus élevé.



Sur cette page, vous spécifiez la différence entre le point de consigne normal et le point de Consigne économique.

(Consigne normale) - (ajustement de la consigne Économique) = (Consigne économique).

Pour modifier le réglage de la Consigne économique :

1. À partir du sous-menu du Mode économie, ouvrez l'écran de commande de réglage de la Consigne économique.

Réglage de consigne			
11 °C			+
MIN		MAX	-
0 °C		11 °C	
ACCEPT		RETOUR	

2. Modifiez la consigne :
  - a) Utiliser **[+]** pour augmenter la consigne.
  - b) Utiliser **[-]** pour diminuer la consigne.
3. Appuyez sur **[ACCEPT]** pour confirmer la valeur ou appuyez sur **[RETOUR]** pour revenir à l'écran précédent.

## 9.4.2

### Régler le jour et l'heure

Pour changer l'heure et le jour de la semaine :

1. À partir du sous-menu du Mode économie, ouvrez l'écran de commande Heure actuelle.

Heur actuelle				
				+
Mar	15	:	05	-
^				
ACCEPT	<	RETOUR	>	

2. Modifiez la consigne :
  - a) Le **[^]** indique la valeur qui peut être modifiée.
  - b) Utiliser **[+]** pour augmenter la valeur.
  - c) Utiliser **[-]** pour diminuer la valeur.
  - d) Utilisez **[>]** et **[<]** pour vous déplacer entre les jours, les heures et les minutes.
3. Appuyez sur **[ACCEPT]** pour confirmer la valeur ou appuyez sur **[RETOUR]** pour revenir à l'écran précédent.

### 9.4.3

## Programme Mode économique

Pour modifier le programme du Mode économique :

1. Dans le sous-menu Mode économique, ouvrez l'écran de commande de l'un des jours de la semaine.

<b>Dimanche</b>				+
NORMAL				
MIN NORMAL		MAX ÉCONOMIE		-
ACCEPT		RETOUR		

2. Modifier les réglages :
  - NORMAL : l'appareil bascule entre le mode NORMAL et le mode ECO.
  - ECO : l'appareil fonctionnera en mode ECO toute la journée
  - a) Utiliser **[+]** pour augmenter la valeur.
  - b) Utiliser **[-]** pour diminuer la valeur.
3. Appuyez sur **[ACCEPT]** pour confirmer la valeur ou appuyez sur **[RETOUR]** pour revenir à l'écran précédent.

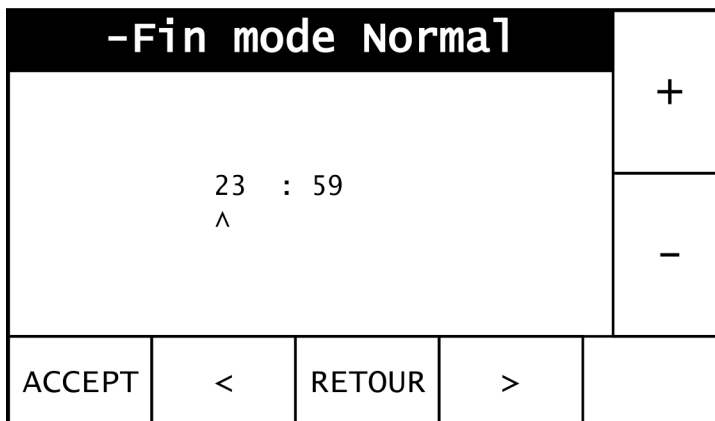
Si vous réglez un jour sur NORMAL, vous pouvez définir les heures de début et de fin du mode NORMAL :

1. À partir du sous-menu du Mode économique, ouvrez l'écran de commande Début mode normal.

<b>-Démarrage mode normal</b>					+
00 : 00 ^					
					-
ACCEPT	<	RETOUR	>		

2. Pour modifier l'heure de début :
  - a) Le **[^]** indique la valeur qui peut être modifiée.
  - b) Utiliser **[+]** pour augmenter la valeur.
  - c) Utiliser **[-]** pour diminuer la valeur.
  - d) Utilisez **[>]** et **[<]** pour vous déplacer entre les heures et les minutes.
3. Appuyez sur **[ACCEPT]** pour confirmer la valeur ou appuyez sur **[RETOUR]** pour revenir à l'écran précédent.

4. À partir du sous-menu du Mode économique, ouvrez l'écran de commande Fin mode normal.



5. Pour modifier l'heure de fin :
- Le [^] indique la valeur qui peut être modifiée.
  - Utiliser [+] pour augmenter la valeur.
  - Utiliser [-] pour diminuer la valeur.
  - Utilisez [>] et [<] pour vous déplacer entre les heures et les minutes.
6. Appuyez sur **[ACCEPT]** pour confirmer la valeur ou appuyez sur **[RETOUR]** pour revenir à l'écran précédent.

## 9.5

### Configuration sortie alarme

Le sous-menu Configuration sortie alarme indique la fonction de sortie et la consigne de l'alarme. La fonction de sortie vous permet de choisir les événements qui déclenchent la sortie d'alarme. Les événements suivants sont disponibles :

Fonction	Sortie d'alarme est déclenchée...
Désactivé	jamais.
Panne	en cas de panne.
Panne ou avertissement	en cas de panne ou d'avertissement.
Temp < Consigne d'alarme	lorsque la température de l'eau descend en dessous de la consigne d'alarme.
Temp < Consigne	lorsque la température de l'eau descend en dessous de la consigne normale.
Mode de chauffage	lorsque l'appareil passe en mode de chauffage.

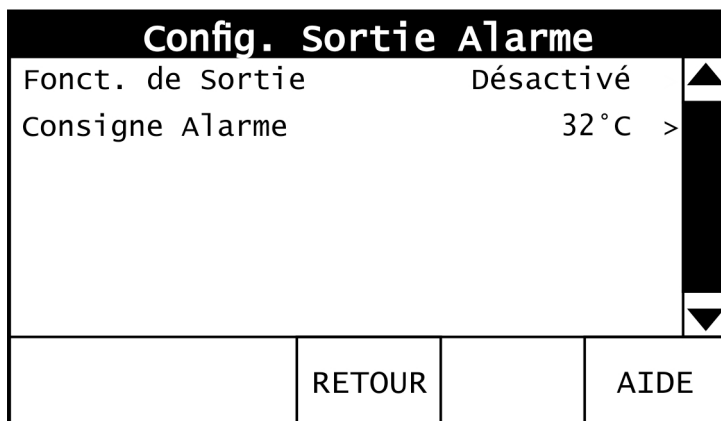


Fig. Sous-menu configuration sortie alarme

### 9.5.1

#### Régler la fonction de sortie d'alarme

Pour modifier la fonction de sortie d'alarme :

1. Dans le sous-menu Sortie d'alarme, ouvrez l'écran de commande Fonction de sortie.



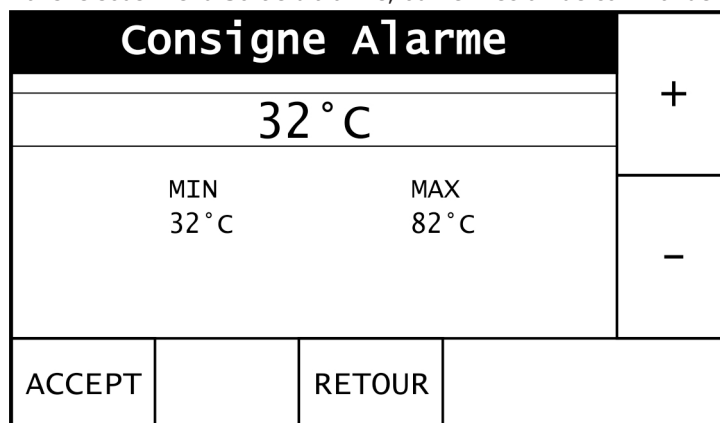
2. Modifiez la fonction de la sortie d'alarme :
  - a) Utilisez **[+]** pour sélectionner la fonction suivante.
  - b) Utilisez **[-]** pour sélectionner la fonction précédente.
3. Appuyez sur **[ACCEPT]** pour confirmer la valeur ou appuyez sur **[RETOUR]** pour revenir à l'écran précédent.

### 9.5.2

#### Consigne alarme

Pour modifier la consigne d'alarme :

1. Dans le sous-menu Sortie d'alarme, ouvrez l'écran de commande Consigne alarme.



2. Modifier la consigne d'alarme :
  - a) Utiliser **[+]** pour augmenter la consigne.
  - b) Utiliser **[-]** pour diminuer la consigne.
3. Appuyez sur **[ACCEPT]** pour confirmer la valeur ou appuyez sur **[RETOUR]** pour revenir à l'écran précédent.

## 9.6 Réglages affichage

Le sous-menu **Réglages affichage** affiche les réglages de l'unité de température, de la luminosité de l'écran, du délai de rétroéclairage et de la langue.

Fig. Sous-menu Réglages affichage

Réglages affichage		
Unité de température	°C >	▲
Luminosité	4 >	■
Délai rétroécl.	30s >	■
Langue	Français (FR) >	■
		▼
	RETOUR	

Appuyez sur une ligne avec un **[>]** pour modifier les réglages.

### 9.6.1 Régler l'unité de température

Pour modifier l'unité de température :

1. Dans le sous-menu **Réglages affichage**, ouvrez l'écran de contrôle Unité de température.

Unité de température	
°C	
MIN °C	MAX °F
+	
-	
ACCEPT	RETOUR

2. Modifiez les réglages.
3. Appuyez sur **[ACCEPT]** pour confirmer la valeur ou appuyez sur **[RETOUR]** pour revenir à l'écran précédent.

## 9.6.2

### Régler la luminosité de l'écran

Par défaut, la luminosité de l'écran est faible (luminosité=0). Si vous réglez la luminosité sur 1 ou plus, le rétroéclairage de l'écran devient plus lumineux lorsque vous appuyez sur un bouton.

Pour modifier la luminosité de l'écran :

1. Dans le sous-menu **Réglages affichage**, ouvrez l'écran de contrôle de la **Luminosité**.

Luminosité			
4			+
MIN		MAX	-
0		10	
ACCEPT		RETOUR	

2. Modifier les réglages :
  - a) Utiliser **[+]** pour augmenter la luminosité.
  - b) Utiliser **[-]** pour diminuer la luminosité.
3. Appuyez sur **[ACCEPT]** pour confirmer la valeur ou appuyez sur **[RETOUR]** pour revenir à l'écran précédent.

## 9.6.3

### Régler le délai de rétroéclairage

Si vous réglez la luminosité de l'écran sur 1 ou plus, l'écran devient plus lumineux lorsque vous appuyez sur un bouton. Le délai du rétroéclairage définit le temps nécessaire pour que le rétroéclairage revienne au niveau bas.

Pour modifier le délai de rétroéclairage :

1. Dans le sous-menu **Réglages affichage**, ouvrez l'écran de contrôle du délai de rétroéclairage.

Délai rétroécl.			
30s			+
MIN		MAX	-
30s		240s (actif)	
ACCEPT		RETOUR	

2. Modifier les réglages :
  - a) Utiliser **[+]** pour augmenter la durée d'allumage du rétroéclairage.
  - b) Utiliser **[-]** pour diminuer la durée d'allumage du rétroéclairage.

#### Note

Lorsque le délai de rétroéclairage est réglé sur 240 s (valeur maximale), le rétroéclairage est allumé en continu.

3. Appuyez sur **[ACCEPT]** pour confirmer la valeur ou appuyez sur **[RETOUR]** pour revenir à l'écran précédent.



## 9.6.4

### Régler la langue

Pour modifier la langue :

1. Dans le sous-menu **Réglages affichage**, ouvrez l'écran de contrôle **Langue**.

Langue			
Français (FR)			+
MIN		MAX	
Français		English	
ACCEPT		RETOUR	

2. Utilisez les touches **[+]** et **[-]** pour modifier le réglage de la langue.
3. Appuyez sur **[ACCEPT]** pour confirmer la valeur ou appuyez sur **[RETOUR]** pour revenir à l'écran précédent.

Lorsque vous appuyez sur **[ACCEPT]**, l'affichage redémarre. Cela n'a aucune incidence sur le système de commande.

## 9.7

### Informations appareil

Dans le menu principal, vous pouvez ouvrir le sous-menu **Informations appareil**. Le sous-menu **Informations appareil** affiche des informations sur l'historique de fonctionnement du chauffe-eau.

Temps total	Durée totale de fonctionnement de l'appareil
TT. Chauffage	Durée totale les éléments chauffants étaient allumés
Compteur cycles tot.	Nombre de cycles de chauffage
Cycles rangée x	Nombre de cycles de chauffage pour la rangée d'éléments x
Rangée x act	Durée totale les éléments chauffants dans la rangée x étaient allumés
Version CCB	Version du logiciel du système de commande
Version UIM	Version du logiciel d'affichage

Fig. Écran - Informations appareil

Informations appareil					
Temps total	52d17h6m				
TT chauffage	2d10h31m				
Compteur cycles tot.	274				
Cycles rangeé 1	305				
Rangeé 1 act.	2d10h24m				
Cycles rangeé 2	42				
-----					
Rangeé 2 act.	7h31m				
Cycles rangeé 3	25				
Rangeé 3 act.	4h39m				
Version CCB	X.XX				
Version UIM	X.XX.XX				
<table border="1" style="width: 100%; border-collapse: collapse;"> <tr> <td style="width: 40%;"></td> <td style="width: 20%; text-align: center;">RETOUR</td> <td style="width: 20%;"></td> <td style="width: 20%; text-align: center;">AIDE</td> </tr> </table>			RETOUR		AIDE
	RETOUR		AIDE		

FR

## 9.8 Historique des pannes

Dans le menu principal, vous pouvez ouvrir le sous-menu **Historique des pannes**. Le sous-menu Historique des pannes affiche les 9 pannes les plus récentes du chauffe-eau et l'instant où cette panne s'est produite. Appuyez sur la panne pour accéder aux informations concernant cette panne spécifique.

Fig. Écran - Historique des pannes

Historique des pannes					
1:	XXXXXXXXXXXXXXXXXXXX (XXX) > XXdXXhXXm passé				
2:	XXXXXXXXXXXXXXXXXXXX (XXX) > XXdXXhXXm passé				
3:	XXXXXXXXXXXXXXXXXXXX (XXX) > XXdXXhXXm passé				
-----					
4:	XXXXXXXXXXXXXXXXXXXX (XXX) > XXdXXhXXm passé				
5:	XXXXXXXXXXXXXXXXXXXX (XXX) > XXdXXhXXm passé				
<table border="1" style="width: 100%; border-collapse: collapse;"> <tr> <td style="width: 40%;"></td> <td style="width: 20%; text-align: center;">RETOUR</td> <td style="width: 20%;"></td> <td style="width: 20%; text-align: center;">AIDE</td> </tr> </table>			RETOUR		AIDE
	RETOUR		AIDE		

Fig. Écran - Affichage des informations relatives à la panne

Appuyez sur **[RETOUR]** pour revenir à l'écran précédent.



## 9.9

### Occurrence de panne

Dans le menu principal, vous pouvez ouvrir le sous-menu **Occurrence de panne**. Le sous-menu **Occurrence de panne** affiche le nombre de pannes pour chaque catégorie de panne.

Fig. Écran - Occurrence de panne

Occurrence de panne		
Limite supérieure temp.	0	▲
Pas de courant détecté	0	
Capteur tep. réservoir	0	
Panne alimen. électrique	0	
Matériel CCB	0	
Erreur modèle	0	
Communications CCB	0	▼
	RETOUR	AIDE

Appuyez sur **[RETOUR]** pour revenir à l'écran précédent.

## 9.10

### Rétablir réglages par défaut

Dans le **Menu principal**, vous pouvez ouvrir le sous-menu **Rétablir réglages par défaut**. Le sous-menu **Rétablir réglages par défaut** vous permet de rétablir les paramètres d'usine par défaut.

Fig. Écran - Rétablir réglages par défaut

Rétabl. réglages défaut		
Êtes vous sûr de vouloir remettre le système au réglages d'usine?		
Oui		Non

Appuyez sur **[OUI]** pour confirmer ou **[NON]** pour revenir à l'écran précédent.



# 10

# Entretien

Le chauffe-eau doit être entretenu au moins une fois par an. L'intervalle d'entretien est déterminé en fonction de la qualité de l'eau, des heures de fonctionnement moyennes par jour et de la température d'eau réglée.

Pour déterminer l'intervalle correct, A.O. Smith recommande d'effectuer un contrôle du système trois mois après l'installation.



---

### Note

L'entretien est nécessaire pour conserver un transfert de chaleur efficace vers l'eau. Cela augmente de façon importante la durée de vie utile du chauffe-eau.

### Note

Si nécessaire, il est possible de commander des pièces de rechange. Pour vous assurer de recevoir les bonnes pièces de rechange, reportez-vous à la plaque signalétique pour connaître le numéro de série et le modèle du chauffe-eau. Utilisez ces informations lorsque vous commandez les pièces de rechange.

---

Réalisez les activités d'entretien suivantes :

- [Préparation](#) (voir 10.1)
- [Entretien du côté eau](#) (voir 10.2)
- [Vérification des performances](#) (voir 10.3)
- [Finalisation](#) (voir 10.4)

## 10.1

### Préparation

Isolez le chauffe-eau de l'alimentation secteur avant d'entamer les tâches d'entretien.

## 10.2

### Entretien du côté eau

Pour réaliser l'entretien du côté eau :

- [Inspecter l'anode](#) (voir 10.2.1)
- [Détartre le réservoir](#)

### 10.2.1

#### Inspecter l'anode

La durée de vie de l'anode est déterminée par la qualité et la quantité d'eau qui traverse le chauffe-eau. Inspectez l'anode au moins une fois par an pour vous assurer que le réservoir est protégé contre la corrosion.

Pour inspecter l'anode :

1. Fermez le réducteur de pression dans l'alimentation en eau froide.
2. Ouvrez le robinet d'eau chaude le plus proche pour réduire la pression de l'eau dans le chauffe-eau.
3. Utilisez une clé pour desserrer l'anode.
4. Retirez l'anode du chauffe-eau.

5. Contrôlez le volume de l'anode. Lorsque l'anode est consommée à 60 % ou plus, remplacez l'anode.



---

**Note**

Si l'anode doit être remplacée, utilisez toujours une anode du même type. Veuillez vous référer au type et au numéro de série sur la plaque signalétique.

---

6. Placez l'anode dans le chauffe-eau.
7. Utilisez une clé pour fixer l'anode. Assurez-vous que le raccordement est étanche à l'eau.



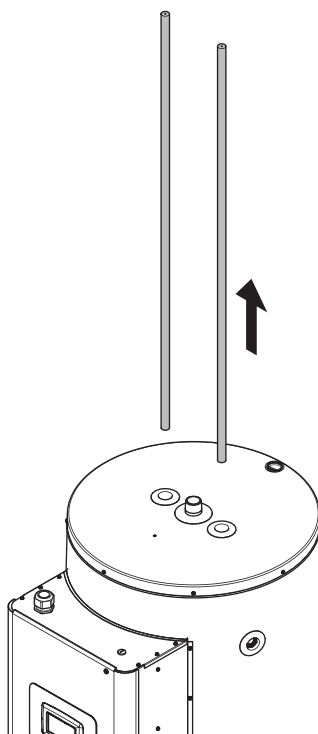
---

**Note**

Ne jamais installer une anode isolée du réservoir métallique.

---

Fig. Inspecter l'anode



## 10.2.2

### Détartre le réservoir

---

**Note**

L'eau dure peut provoquer la formation de tartre, ce qui réduit l'efficacité de fonctionnement et peut entraîner une défaillance précoce du produit. La défaillance du chauffe-eau due au calcaire ou à d'autres dépôts ne serait pas considérée comme un défaut de fabrication et ne serait donc pas couverte par les termes de la garantie (à la page 147).

**Note**

Avant le remontage, remplacez les joints d'étanchéité. Vous devez commander ces joints chez votre fournisseur. Consultez la plaque signalétique pour obtenir les informations de commande correctes.

---

Pour détartre et nettoyer le réservoir :

1. Mettre le chauffe-eau hors service (voir 8.7).



- Ouvrez la porte du chauffe-eau.

---

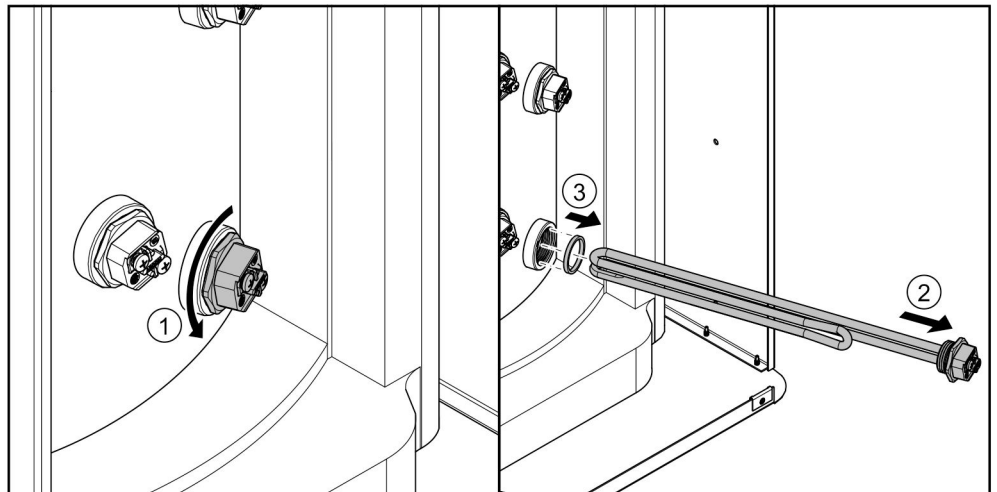
**Avertissement**

Câbles sous tension à l'intérieur ! Mettez l'appareil complètement hors tension (par l'isolateur local) avant d'ouvrir la porte extérieure pour accéder aux composants électriques.

---

- Retirez le matériau isolant.
- Retirez l'élément chauffant le plus bas :
  - Desserrez les fils électriques de terre (A) et de phase (L) sur l'élément.
  - Desserrez l'élément chauffant.
  - Sortez l'élément chauffant du chauffe-eau.  
Rangez-le avec précaution.
- Inspectez le réservoir par l'ouverture pour détecter la présence de calcaire.
- En cas de présence de calcaire :
  - Retirez les éléments chauffants suivants.  
Commencez par l'élément chauffant le plus bas.
  - Utilisez un produit détartrant pour éliminer le tartre et la contamination.  
Contactez le fournisseur de votre chauffe-eau pour obtenir des conseils sur l'agent de détartrage à utiliser.
- Nettoyez les éléments chauffants.
- Remplacez le joint d'étanchéité.
- Mesurez la valeur de la résistance entre les deux connexions de chaque élément chauffant..  
La valeur doit être d'environ 19 +/- 4 Ohms pour des éléments de 3 kW 10 +/- 2 Ohms pour des éléments de 6 kW .
- Installez tous les éléments chauffants :
  - Placez l'élément dans le réservoir.
  - Serrez l'élément chauffant.
  - Raccordez les fils électriques de terre (A) et de phase (L) sur l'élément.
- Remettez en place le matériau isolant.
- Fermez la porte.
- Remplissez le chauffe-eau (voir 8.6.1).

Fig. Retrait d'un élément chauffant



## 10.3

### Vérification des performances

Vérifiez que la tension d'alimentation du contrôleur est correcte :

- Ouvrez la porte du chauffe-eau.



---

**Avertissement**

Câbles sous tension à l'intérieur ! Mettez l'appareil complètement hors tension (par le sectionneur local) avant d'ouvrir la porte extérieure pour accéder aux composants électriques.

---

2. Retirez le matériau isolant.
3. Mesurez la valeur de la résistance entre les deux connexions de chaque élément chauffant..  
La valeur doit être d'environ 19 +/- 4 Ohms pour des éléments de 3 kW 10 +/- 2 Ohms pour des éléments de 6 kW .
4. Remplacez l'élément chauffant si la valeur de la résistance n'est pas correcte.
  - a) Mettre le chauffe-eau hors service (voir 8.7).
  - b) Desserrez les fils électriques de terre (A) et de phase (L) sur l'élément.
  - c) Desserrez l'élément chauffant.
  - d) Retirez l'élément chauffant du chauffe-eau.
  - e) Placez un élément neuf dans le réservoir.
  - f) Serrez l'élément chauffant.
  - g) Raccordez les fils électriques de terre (A) et de phase (L) sur l'élément.
5. Vérifiez que tous les câbles sont raccordés correctement.
6. Assurez-vous que toutes les connexions électriques à vis sont bien serrées.
7. Remettez en place le matériau isolant.
8. Fermez la porte.
9. Si nécessaire, remplissez le chauffe-eau (voir 8.6.1).

## 10.4

### Finalisation

Lorsque toutes les opérations de maintenance sont terminées :

1. Si nécessaire, remplissez le chauffe-eau (voir 8.6.1).
2. Mettez le chauffe-eau en marche (voir 4.1).
3. Vérifiez si les performances de tous les composants sont correctes :
  - a) Assurez-vous que le chauffe-eau exécute son cycle de fonctionnement correctement.
  - b) Le cas échéant, vérifiez le bon fonctionnement de la soupape TP. Ouvrez la soupape TP et vérifiez que l'eau jaillit.




---

#### Avertissement

Il se peut que de l'eau chaude sorte de la soupape TP.

---

- c) Vérifiez que le raccord de décharge de pression du groupe de sécurité de l'ensemble d'admission fonctionne correctement. Ouvrez cette décharge de pression et assurez-vous que l'eau jaillit.

# 11

# Pannes

## 11.1

## Pannes et avertissements

Le chauffe-eau peut présenter trois types différents de pannes :

- Pannes générales, non affichées
- Pannes affichées (voir 11.1.2), divisées en deux groupes différents :
  - Pannes verrouillantes : une fois le problème résolu, vous pouvez réinitialiser la panne pour reprendre les opérations. Le code est affiché de façon fixe et le point d'exclamation clignote.
  - Pannes bloquantes : une fois le problème résolu, la panne se réinitialise automatiquement pour reprendre les opérations. Le code est affiché de façon fixe et le point d'exclamation clignote.
- Avertissements affichés (voir 11.1.3)



### Note

Il est possible de visionner l'historique des pannes du chauffe-eau. Reportez-vous à la section Historique des pannes (voir 9.8).

### 11.1.1

### Pannes générales



### Note

Pour le codage des raccordements, reportez-vous au schéma de câblage électrique (voir A.5).

Indication	Cause	Mesure
Fuite d'eau	Il y a une fuite provenant d'un raccord d'eau fileté.	Serrez le raccord fileté.
	Il y a une fuite provenant d'un autre chauffe-eau ou d'un segment de tuyauterie situé à proximité.	Établissez l'origine de la fuite.
	Il y a une fuite provenant du réservoir du chauffe-eau.	Contactez le fournisseur de votre chauffe-eau.

Indication	Cause	Mesure
<b>Quantité d'eau chaude insuffisante ou pas d'eau chaude</b>	Le chauffe-eau est hors tension.	Mettez le chauffe-eau en marche (voir 4.1).
	La température est réglée à un niveau trop bas.	Régler la consigne à une valeur plus élevée.
	Il n'y a pas de tension d'alimentation.	Vérifiez que : <ul style="list-style-type: none"> <li>le coupe-circuit est réglé sur <b>ON</b>.</li> <li>il y a du courant électrique au niveau du coupe-circuit.</li> <li>il y a du courant électrique au niveau du bloc de raccordement électrique.</li> </ul> La tension mesurée doit être de 400 V <sub>CA</sub> (-15 %, +10 %).
	La réserve d'eau chaude est épuisée.	Réduisez la consommation d'eau chaude. Attendez que le chauffe-eau soit chaud.
	Un dispositif de sécurité est activé.	<ul style="list-style-type: none"> <li>Vérifiez que la tension entre les connexions des éléments chauffants est de 230V<sub>CA</sub> (-15%, +10%).</li> <li>Reportez-vous à l'indication « Un dispositif de sécurité est activé », page suivante.</li> </ul>
<b>Le disjoncteur de fuite à la terre s'est déclenché</b>	Il n'y a pas assez d'eau dans le réservoir.	<ul style="list-style-type: none"> <li>Assurez-vous que le chauffe-eau est rempli d'eau.</li> </ul>
	L'un des éléments chauffants est défectueux.	<ul style="list-style-type: none"> <li>Mesurez la valeur de la résistance entre chaque connexion d'élément chauffant et l'extérieur du réservoir. La valeur doit être infinie.</li> <li>Déterminez quel élément est défectueux.</li> </ul>
<b>Un dispositif de sécurité est activé</b>	Le thermostat de sécurité principal (G1) est activé	<ul style="list-style-type: none"> <li>Assurez-vous que le chauffe-eau est complètement rempli.</li> <li>Purgez l'eau pour faire baisser la température dans le chauffe-eau.</li> <li>Assurez-vous que toutes les connexions sont correctement branchées (reportez-vous au schéma de câblage).</li> <li>Utilisez le bouton blanc pour réinitialiser manuellement le thermostat.</li> <li>Si nécessaire, remplacez le thermostat de sécurité (G1).</li> </ul>
	Le thermostat de sécurité de rangée (G2) est activé.	<ul style="list-style-type: none"> <li>Purgez l'eau pour faire baisser la température dans le chauffe-eau.</li> <li>Assurez-vous que toutes les connexions sont correctement branchées (reportez-vous au schéma de câblage).</li> <li>Utilisez le bouton rouge pour réinitialiser manuellement le thermostat.</li> <li>Si nécessaire, remplacez le thermostat de sécurité (G2).</li> </ul>



## 11.1.2



## Pannes affichées

### Note

Pour le codage des raccordements, reportez-vous au [schéma de câblage électrique](#) (voir A.5).

### Note

Contactez votre technicien d'entretien si la panne persiste.

### Note

Chaque panne a un code et une description. Le code a 7 caractères : XXX-XXXX. Lorsque le chauffe-eau a une panne, les deux chiffres avant le tiret (XXX-XXXX) sont importants pour localiser la panne.

FR

Code et description	Cause	Mesure
<b>045</b> <b>(panne bloquante)</b> <b>Panne de capteur</b>  Court-circuit capteur en haut	Le capteur n'est pas raccordé (correctement).	<ul style="list-style-type: none"> <li>Vérifiez que le connecteur est raccordé à J5 bornes 2 et 3.</li> <li>Vérifiez que le câble est raccordé au capteur.</li> </ul>
	Câblage endommagé et/ou capteur défectueux.	Remplacez le câblage et/ou le capteur.
<b>047</b> <b>(panne bloquante)</b> <b>Panne de capteur</b>  Circuit ouvert capteur en haut	Court-circuit dans le circuit du capteur.	Remplacez le câblage et/ou le capteur.
<b>0A5</b> <b>(panne verrouillante)</b> <b>Panne de température</b>  Température maximale dépassée (ou fusible thermique activé)	Le thermostat de sécurité principal (G1) est activé.	<ul style="list-style-type: none"> <li>Assurez-vous que le chauffe-eau est complètement rempli.</li> <li>Purgez l'eau pour faire baisser la température dans le chauffe-eau.</li> <li>Assurez-vous que toutes les connexions sont correctement branchées, reportez-vous au <a href="#">schéma de câblage</a> (voir A.5).</li> <li>Utilisez le bouton blanc pour réinitialiser manuellement le thermostat.</li> <li>Si nécessaire, remplacez le thermostat de sécurité (G1).</li> <li>Coupez et remettez le chauffe-eau sous tension pour réinitialiser la panne.</li> </ul>
	Le fusible thermique a interrompu le circuit de commande.	<ul style="list-style-type: none"> <li>Vérifiez la cause de l'échauffement excessif de la zone des éléments.</li> <li>Mesurez la valeur de la résistance sur le fusible thermique. La valeur doit être &lt;5 Ohms.</li> <li>Si nécessaire, remplacez le câblage du fusible thermique.</li> <li>Coupez et remettez le chauffe-eau sous tension pour réinitialiser la panne.</li> </ul>

Code et description	Cause	Mesure
<b>4F1</b> <b>(panne bloquante)</b> <b>Panne de communication</b> Pas de communication entre la carte de commande et le tableau d'affichage.	Le câblage est endommagé.	<ul style="list-style-type: none"> <li>Vérifiez que le câblage entre la carte de commande et le tableau d'affichage est raccordé et pas endommagé.</li> <li>Si nécessaire, rebranchez ou remplacez le câblage.</li> </ul>
<b>031 - 038</b> <b>(panne bloquante)</b> <b>Panne d'alimentation électrique</b> Problème d'alimentation	La tension d'alimentation n'est pas correcte. La tension vers la carte de commande n'est pas correcte.	La tension mesurée doit être de 400 VAC (-15%, +10%). <ul style="list-style-type: none"> <li>Assurez-vous que le câblage du transformateur 400-28VAC (E) est connecté et n'est pas endommagé.</li> <li>Vérifiez le fusible du transformateur (F2).</li> </ul> La tension mesurée sur la carte commande doit être de 28 VAC (-15%, +10%).
<b>XXX</b> <b>(panne verrouillante)</b> <b>Panne de commande</b> Défaillance matériel	Message de panne interne du contrôleur.	<ul style="list-style-type: none"> <li>Coupez et remettez le chauffe-eau sous tension pour réinitialiser la panne.</li> <li>Si la panne se reproduit, remplacez le contrôleur.</li> </ul>

### 11.1.3

### Avertissements



#### Note

Pour le codage des raccordements, reportez-vous au [schéma de câblage électrique](#) (voir A.5).

Indication	Cause	Remarque
<b>40D</b> <b>Pas de courant détecté</b> Aucun courant détecté dans un ou plusieurs circuits de chauffage.	Câblage endommagé et/ou élément chauffant défectueux. Câblage endommagé et/ou capteur de courant défectueux.	Réalisez une <u>vérification des performances</u> . (voir 10.3) <ul style="list-style-type: none"> <li>Assurez-vous que le câblage des capteurs de courant des éléments (D) est correct.</li> <li>Remplacez le câblage et/ou le capteur.</li> </ul>

Pour enregistrer votre chauffe-eau, vous pouvez remplir et renvoyer la carte de garantie ci-jointe. Vous pouvez également l'enregistrer en ligne via le site Web A.O. Smith.

### **Article 1 : Garantie générale**

Si, après vérification et à l'entière discrétion de A.O. Smith, un composant ou une pièce (sauf le réservoir en acier à l'intérieur recouvert de verre) d'un chauffe-eau fourni par A.O. Smith est déclaré comme défectueux ou ne fonctionne pas correctement à cause d'un défaut matériel et/ou de fabrication, dans un délai de deux ans suivant la date d'installation originale, A.O. Smith s'engage à réparer ou à remplacer ce composant ou cette pièce.

### **Article 2 : Garantie du réservoir**

Si, après vérification et à l'entière discrétion de A.O. Smith, le réservoir en acier à l'intérieur recouvert de verre d'un chauffe-eau fourni par A.O. Smith présente une fuite due à la rouille ou à de la corrosion au niveau du côté eau, dans un délai de trois ans suivant la date d'installation originale, A.O. Smith proposera de remplacer le chauffe-eau défectueux par un chauffe-eau neuf de taille et de qualité équivalentes. La période de garantie indiquée sur le chauffe-eau de remplacement sera égale à la période de garantie restante du chauffe-eau d'origine fourni. Nonobstant ce qui a été déclaré ci-avant dans cet article, si de l'eau non filtrée ou adoucie est utilisée ou demeure dans le chauffe-eau pendant un certain temps, la garantie sera réduite d'un an par rapport à la date d'installation originale.

### **Article 3 : Conditions d'installation et d'utilisation**

La garantie présentée aux Articles 1 et 2 s'applique uniquement dans les conditions suivantes :

- Le chauffe-eau est installé en stricte conformité avec les instructions d'installation d'A.O. Smith pour le modèle spécifique et avec les codes appropriés d'installation et de construction émis par les autorités gouvernementales et locales et étant en vigueur au moment de l'installation.
- Le chauffe-eau reste installé sur le site d'installation d'origine.
- Le chauffe-eau est utilisé exclusivement avec de l'eau potable pouvant en permanence circuler librement (un échangeur thermique installé séparément est obligatoire pour le chauffage d'eau salée ou d'eau corrosive).
- Le réservoir est protégé contre les accumulations dangereuses de tartre et de chaux grâce à des entretiens réguliers.
- La température de l'eau à l'intérieur du chauffe-eau ne dépasse pas le paramètre maximum des thermostats faisant partie du chauffe-eau.
- La pression d'eau et/ou la charge thermique ne dépassent pas les valeurs maximales indiquées sur la plaque signalétique du chauffe-eau.
- Le chauffe-eau est installé dans une atmosphère ou un environnement non corrosif(ve).

- Le chauffe-eau est raccordé à un système d'alimentation en eau froide protégé approuvé par l'autorité concernée, et disposant d'une puissance suffisante pour remplir cette tâche. Il doit apporter une pression d'eau n'étant pas supérieure à la pression d'exploitation indiquée sur le chauffe-eau et, le cas échéant, disposer d'une soupape TP approuvée, installée conformément aux instructions d'installation d'A.O. Smith s'appliquant au modèle spécifique de chauffe-eau et conforme aux codes, réglementations et règles des autorités gouvernementales et locales concernant l'installation et la construction.
- Le chauffe-eau est en permanence pourvu d'une protection cathodique. Si des anodes sacrificielles sont utilisées pour cela, elles doivent être remplacées lorsqu'elles sont épuisées à 60 % ou plus. En cas d'utilisation d'anodes d'alimentation, il est important de vérifier qu'elles fonctionnent correctement.

#### Article 4 : Exclusions

La garantie présentée aux Articles 1 et 2 ne s'applique pas dans les circonstances suivantes :

- dommage au chauffe-eau causé par un facteur externe ;
- mauvaise utilisation, négligence (y compris dommages dus au gel), modifications, utilisation incorrecte ou non autorisée du chauffe-eau et toute tentative de réparation des fuites ;
- contaminants et autres substances ayant pu pénétrer dans le réservoir ;
- la conductivité de l'eau étant inférieure à 125 µS/cm et/ou sa dureté (ions alcalino-terreux) étant inférieure à 1,00 mmol/litre (voir 8.2.3) ;
- eau non filtrée et recyclée, traversant ou étant stockée dans le chauffe-eau ;
- toute tentative de réparation d'un chauffe-eau défectueux, réalisée par quelqu'un d'autre qu'un technicien d'entretien approuvé.

#### Article 5 : Étendue de la garantie

Les obligations d'A.O. Smith en vertu de la garantie fournie ne dépassent pas la livraison gratuite, départ entrepôt, des pièces ou composants ou du chauffe-eau à remplacer. Le transport, la main-d'œuvre, l'installation et les autres coûts associés au remplacement ne seront pas pris en charge par A.O. Smith.

#### Article 6 : Réclamations

Une réclamation au titre de la garantie spécifiée doit être soumise au distributeur auprès duquel le chauffe-eau a été acquis, ou à un autre distributeur autorisé pour les produits A.O. Smith Water Products Company. L'inspection du chauffe-eau mentionnée aux Articles 1 et 2 sera effectuée dans l'un des laboratoires d'A.O. Smith Water Products Company.

#### Article 7 : Obligations de A.O. Smith

A.O. Smith ne fournit aucune autre garantie pour ses chauffe-eau ou pour les (ensembles ou pièces de) chauffe-eau fournis en remplacement, autre que la garantie établie expressément dans ces articles.

Conformément aux termes de la garantie fournie, A.O. Smith ne saurait être tenu pour responsable de tout dommage aux personnes ou au matériel causé par des ensembles ou pièces ou par le réservoir en acier à l'intérieur recouvert de verre d'un chauffe-eau (de remplacement) fourni par A.O. Smith.

# Index

## A

- Alimentation secteur..... 188
- Aspects environnementaux..... 179
- Avertissements.....216

## B

- Boutons d'écran..... 165

## C

- Charge maximum au sol..... 184
- Chauffe-eau ..... 181
- Composition de l'eau..... 184
- Conditions..... 183
- Conditions ambiantes ..... 183
- Configuration sortie alarme..... 201
- Conformité..... 149
- Consigne..... 194
- Consigne alarme.....202
- Conventions d'annotations ..... 151
- Coordonnées de contact ..... 150
- Copyright..... 147

## D

- Dispositifs de sécurité..... 177
- Décalage capteur réservoir..... 196
- Détartre le réservoir..... 210

## E

- Emballage..... 183
- Entretien..... 209
- Entretien du côté eau..... 209

## F

- Finalisation..... 190, 212

## G

- Garantie..... 217
- Groupe ciblé ..... 151

## H

- Historique des pannes..... 206
- Hystérésis..... 194

## I

- Identification du présent document ... 152
- Informations appareil..... 205
- Inspecter l'anode..... 209
- Installation..... 183
- Instructions concernant le chauffe-eau... 176
- Instructions de sécurité..... 175
- Interface ..... 163
- Introduction.....159, 173

## M

- MARCHE/ARRÊT externe..... 189
- Marque commerciale..... 147
- Marques commerciales..... 147
- Mettre le chauffe-eau en marche..... 190
- Mettre le chauffe-eau à l'arrêt... 170, 191
- Mettre l'appareil à l'arrêt pour une courte durée..... 170
- Mettre l'appareil à l'arrêt pour une longue durée..... 170
- Mise au rebut..... 179
- Mise en service.....190
- Mise hors service..... 191
- Mode ARRÊT..... 166
- Mode MARCHE.....166
- Mode économie..... 197
- Mode économique..... 166
- Modes de fonctionnement..... 165

## O

- Occurrence de panne..... 207

## P

- Panneau de commande..... 163
- Pannes..... 213
- Pannes affichées..... 215
- Pannes et avertissements..... 213
- Pannes générales.....213
- Paramètres..... 193
- Partie Installation et entretien..... 171

Partie Utilisateur.....	157
Principe de fonctionnement.....	173
Programme Mode économique.....	200
Préface.....	147
Préparation.....	187, 209
Purge.....	191

À propos du chauffe-eau.....	173
------------------------------	-----

---

## R

Raccord de circulation.....	186
Raccord d'eau chaude.....	186
Raccord d'eau froide.....	185
Raccords d'eau.....	185
Raccords électriques.....	186
Recyclage.....	179
Remplissage.....	190
Responsabilité.....	147
Réglage de consigne.....	198
Réglages affichage.....	203
Réglémentations .....	149
Régler la fonction de sortie d'alarme..	202
Régler la langue.....	205
Régler la luminosité de l'écran.....	204
Régler la température de l'eau.....	169
Régler le délai de rétroéclairage.....	204
Régler le jour et l'heure.....	199
Régler l'unité de température.....	203
Rétablir réglages par défaut.....	207

---

## É

Écran.....	163, 193
État appareil.....	196
État du chauffe-eau.....	165
Étendue .....	151

**FR**

---

## S

Schéma d'installation.....	185
Sortie d'alarme.....	188
Structure du chauffe-eau.....	181
Symboles sur l'écran.....	164
Sécurité.....	161, 175

---

## T

Températures.....	194
-------------------	-----

---

## U

Utilisation.....	169
------------------	-----

---

## V

Vérification des performances.....	211
------------------------------------	-----

---

## À

À propos de ce manuel.....	151
----------------------------	-----

# A Common appendices/ Algemene bijlagen/Annexes communes

## A.1 Technical details/Technische informatie/ Détails techniques

Description Omschrijving Description	Unit Eenheid Unité	DRE PLUS 52-9	DRE PLUS 52-18	DRE PLUS 52-36
<b>General/Algemeen/Général</b>				
Contents Inhoud Table des matières	l	173	173	173
Empty weight Leeg gewicht Poids à vide	kg	78	78	78
Maximum floor load Maximale vloerbelasting Charge maximum au sol	kg	246	246	246
Maximum operating pressure Maximale werkdruk Pression de service maximale	kPa (bar)	800 (8)	800 (8)	800 (8)
Control thermostat - adjustment range Regelthermostaat - instelbereik Thermostat de contrôle - plage de réglage	°C	-	-	-
Control thermostat - default value Regelthermostaat - standaardwaarde Thermostat de contrôle - valeur par défaut	°C	-	-	-
Operating setpoint - adjustment range Setpoint - aanpassingsbereik Consigne de fonctionnement - plage de réglage	°C	32-83	32-83	32-83
Operating setpoint - default value Setpoint - standaardwaarde Consigne de fonctionnement - valeur par défaut	°C	60	60	60
Row differentials - adjustment range Rij hysteresis - aanpassingsbereik Différentiels de rangée - plage de réglage	°C	1-11	1-11	1-11
Row differentials - default value Rij hysteresis - standaardwaarde Différentiels de rangée - valeur par défaut	°C	1	1	1
Number of anodes Aantal anodes Nombre d'anodes	-	2	2	2

AP

<b>Description Omschrijving Description</b>	<b>Unit Eenheid Unité</b>	<b>DRE PLUS 52-9</b>	<b>DRE PLUS 52-18</b>	<b>DRE PLUS 52-36</b>
Heating time DT = 45 °C Opwarmtijd DT = 45 °C Temps de chauffage DT = 45 °C	min.	65	32	16
<b>Electrical/Elektriciteit/Électricité</b>				
Electrical power consumption Opgenomen elektrisch vermogen Consommation électrique	kW	8,4	16,8	33,6
Supply voltage Voedingsspanning Tension d'alimentation	V	400 (-15/+10%)		
Mains frequency Netfrequentie Fréquence secteur	Hz	50 (± 1 Hz)		
Number of phases Aantal fasen Nombre de phases	-	3	3	3
Power Vermogen Puissance	kW	8,4	16,8	33,6
Load Belasting Intensité	A	12	24	49
Number of electric heating elements Aantal elektrische verwarmingselementen Nombre d'éléments chauffants	-	3	3	6
Number of fuses Aantal zekeringen Nombre de fusibles	-	3	3	6
IP class IP-klasse Classe IP	-	IP X1		



## A.2

## Technical details/Technische informatie/ Détails techniques

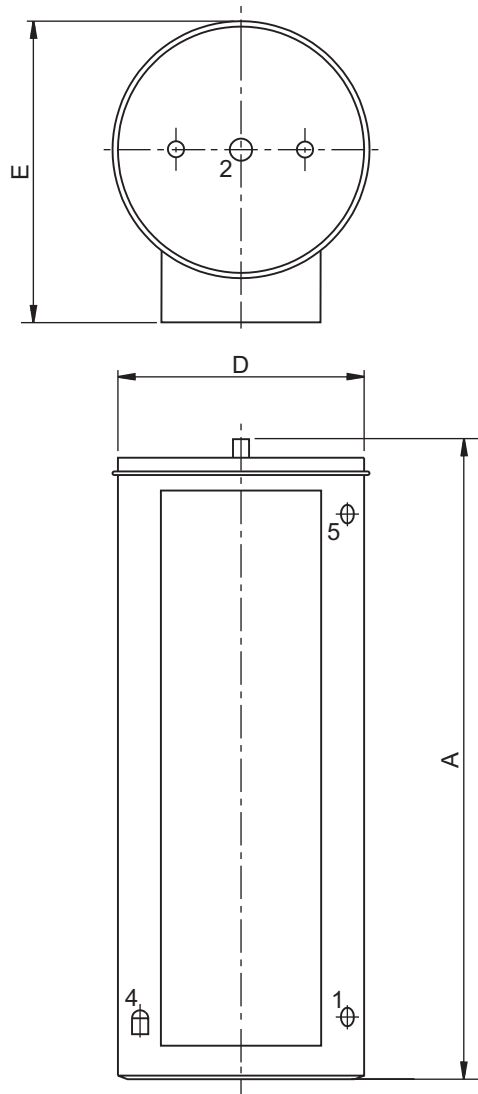
Description Omschrijving Description	Unit Eenheid Unité	DRE PLUS 80-9	DRE PLUS 80-18	DRE PLUS 80-36	DRE PLUS 80-54
<b>General/Algemeen/Général</b>					
Contents Inhoud Table des matières	l	264	264	264	264
Empty weight Leeg gewicht Poids à vide	kg	110	110	110	110
Maximum floor load Maximale vloerbelasting Charge maximum au sol	kg	374	374	374	374
Maximum operating pressure Maximale werkdruk Pression de service maximale	kPa (bar)	800 (8)	800 (8)	800 (8)	800 (8)
Control thermostat - adjustment range Regelthermostaat - instelbereik Thermostat de contrôle - plage de réglage	°C	-	-	-	-
Control thermostat - default value Regelthermostaat - standaardwaarde Thermostat de contrôle - valeur par défaut	°C	-	-	-	-
Operating setpoint - adjustment range Setpoint - aanpassingsbereik Consigne de fonctionnement - plage de réglage	°C	32-83	32-83	32-83	32-83
Operating setpoint - default value Setpoint - standaardwaarde Consigne de fonctionnement - valeur par défaut	°C	60	60	60	60
Row differentials - adjustment range Rij hysteresis - aanpassingsbereik Différentiels de rangée - plage de réglage	°C	1-11	1-11	1-11	1-11
Row differentials - default value Rij hysteresis - standaardwaarde Différentiels de rangée - valeur par défaut	°C	1	1	1	1
Number of anodes Aantal anodes Nombre d'anodes	-	2	2	2	2
Heating time DT = 45 °C Opwarmtijd DT = 45 °C Temps de chauffage DT = 45 °C	min.	99	49	25	16
<b>Electrical/Elektriciteit/Électricité</b>					
Electrical power consumption Opgenomen elektrisch vermogen Consommation électrique	kW	8,4	16,8	33,6	50,4
Supply voltage Voedingsspanning Tension d'alimentation	V	400 (-15/+10%)			
Mains frequency Netfrequentie Fréquence secteur	Hz	50 (± 1 Hz)			

<b>Description Omschrijving Description</b>	<b>Unit Eenheid Unité</b>	<b>DRE PLUS 80-9</b>	<b>DRE PLUS 80-18</b>	<b>DRE PLUS 80-36</b>	<b>DRE PLUS 80-54</b>
Number of phases Aantal fasen Nombre de phases	-	3	3	3	3
Power Vermogen Puissance	kW	8,4	16,8	33,6	50,4
Load Belasting Intensité	A	12	24	49	73
Number of electric heating elements Aantal elektrische verwarmingselementen Nombre d'éléments chauffants	-	3	3	6	9
Number of fuses Aantal zekeringen Nombre de fusibles	-	3	3	6	9
IP class IP-klasse Classe IP	-	IP X1			

### A.3

### Dimensions/Afmetingen/Dimensions

Size Maat Taille	Description Omschrijving Description	Unit Eenheid Unité	DRE PLUS 52-9 DRE PLUS 52-18 DRE PLUS 52-36	DRE PLUS 80-9 DRE PLUS 80-18 DRE PLUS 80-36 DRE PLUS 80-54
<b>Dimensions water heater/Afmeting boiler/Dimensions du chauffe-eau</b>				
A	Overall height Totale hoogte Hauteur totale	mm	1460	1580
D	Appliance diameter Toestel diameter Diamètre de l'appareil	mm	560	640
E	Depth Diepte Profondeur	mm	690	790
<b>Dimensions connections/Afmetingen aansluitingen/Dimensions des raccordements</b>				
1	Cold water supply connection (male) Aansluiting koudwatertoevoer (uitw.) Raccordement d'alimentation en eau froide (mâle)	"	1 1/4	1 1/4
2	Hot water outlet connection (male) Aansluiting warmwateruitlaat (uitw.) Raccordement de sortie eau chaude (mâle)	"	1 1/4	1 1/4
3	T&P-valve connection (female) Aansluiting T&P-ventiel (inw.) Raccordement de soupape TP (femelle)	"	3/4	3/4
4	Drain valve connection (female) Aansluiting aftapkraan (inw.) Raccordement de robinet de vidange (int.)	"	3/4	3/4



MD-0298b R1

AP

## A.4 Energy labeling/Energielabel/Étiquette Énergétique

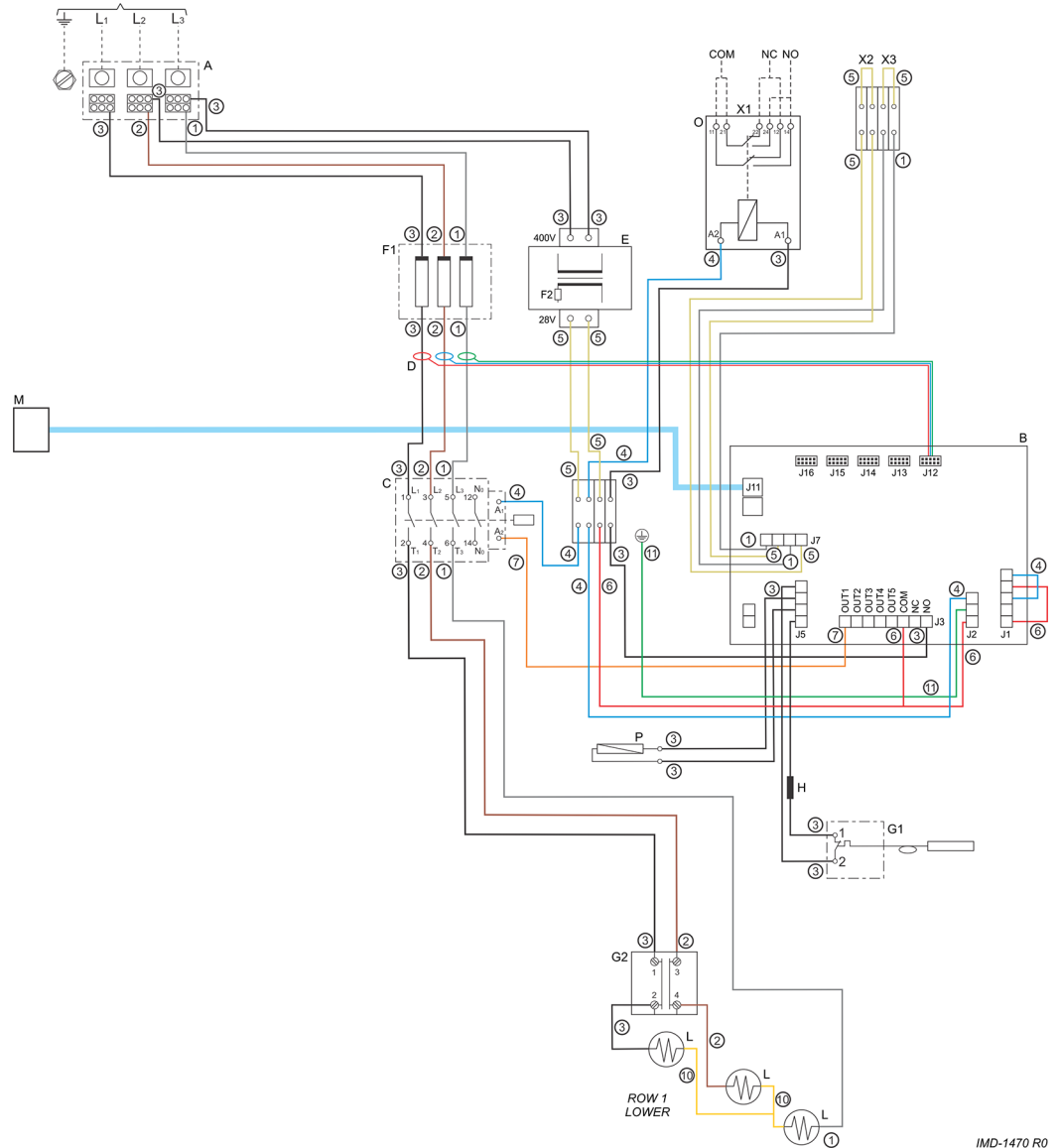
Description Omschrijving Description	Unit Eenheid Unité	DRE PLUS 52-9	DRE PLUS 52-18	DRE PLUS 52-36
<b>Declared load profile/Aangegeven capaciteitsprofiel/Profil de charge déclaré</b>				
Load profile Capaciteitsprofiel Profil de charge	-	XL	XL	XL
Energy efficiency class (Energy label) Klasse energie-efficiëntie (energielabel) Classe d'efficacité énergétique (Étiquette Énergétique)	-	C	C	C
Energy efficiency Energie-efficiëntie Efficacité énergétique	%	38	38,5	38,7
Daily electricity consumption Dagelijks elektriciteitsverbruik Consommation journalière d'électricité	kWh	20,395	20,040	19,907
Daily fuel consumption Dagelijks brandstofverbruik Consommation journalière de combustible	kWh GCV	0	0	0
Mixed water 40 °C (according V40) Gemengd water 40 °C (overeenkomstig V40) Eau mixte 40 °C (selon V40)	l	274	276	269
<b>Additional load profile/Ander capaciteitsprofiel/Profil de charge supplémentaire</b>				
Load profile Capaciteitsprofiel Profil de charge	-	-	-	-
Energy efficiency class (Energy label) Klasse energie-efficiëntie (energielabel) Classe d'efficacité énergétique (Étiquette Énergétique)	-	-	-	-
Energy efficiency Energie-efficiëntie Efficacité énergétique	%	-	-	-
Daily electricity consumption Dagelijks elektriciteitsverbruik Consommation journalière d'électricité	kWh	-	-	-
Daily fuel consumption Dagelijks brandstofverbruik Consommation journalière de combustible	kWh GCV	-	-	-
Mixed water 40 °C (according V40) Gemengd water 40 °C (overeenkomstig V40) Eau mixte 40 °C (selon V40)	l	-	-	-

<b>Description Omschrijving Description</b>	<b>Unit Eenheid Unité</b>	<b>DRE PLUS 80-9</b>	<b>DRE PLUS 80-18</b>	<b>DRE PLUS 80-36</b>	<b>DRE PLUS 80-54</b>
<b>Declared load profile/Aangegeven capaciteitsprofiel/Profil de charge déclaré</b>					
Load profile Capaciteitsprofiel Profil de charge	-	XL	XL	XL	XL
Energy efficiency class (Energy label) Klasse energie-efficiëntie (energielabel) Classe d'efficacité énergétique (Étiquette Éner- gétique)	-	C	C	C	C
Energy efficiency Energie-efficiëntie Efficacité énergétique	%	38	38,5	39,1	38,1
Daily electricity consumption Dagelijks elektriciteitsverbruik Consommation journalière d'électricité	kWh	20,345	20,028	19,673	20,291
Daily fuel consumption Dagelijks brandstofverbruik Consommation journalière de combustible	kWh GCV	0	0	0	0
Mixed water 40 °C (according V40) Gemengd water 40 °C (overeenkomstig V40) Eau mixte 40 °C (selon V40)	l	436	429	430	430
<b>Additional load profile/Ander capaciteitsprofiel/Profil de charge supplémentaire</b>					
Load profile Capaciteitsprofiel Profil de charge	-	-	-	-	-
Energy efficiency class (Energy label) Klasse energie-efficiëntie (energielabel) Classe d'efficacité énergétique (Étiquette Éner- gétique)	-	-	-	-	-
Energy efficiency Energie-efficiëntie Efficacité énergétique	%	-	-	-	-
Daily electricity consumption Dagelijks elektriciteitsverbruik Consommation journalière d'électricité	kWh	-	-	-	-
Daily fuel consumption Dagelijks brandstofverbruik Consommation journalière de combustible	kWh GCV	-	-	-	-
Mixed water 40 °C (according V40) Gemengd water 40 °C (overeenkomstig V40) Eau mixte 40 °C (selon V40)	l	-	-	-	-

## A.5

# Electrical wiring diagram/Elektrisch schema/ Schéma de câblage électrique

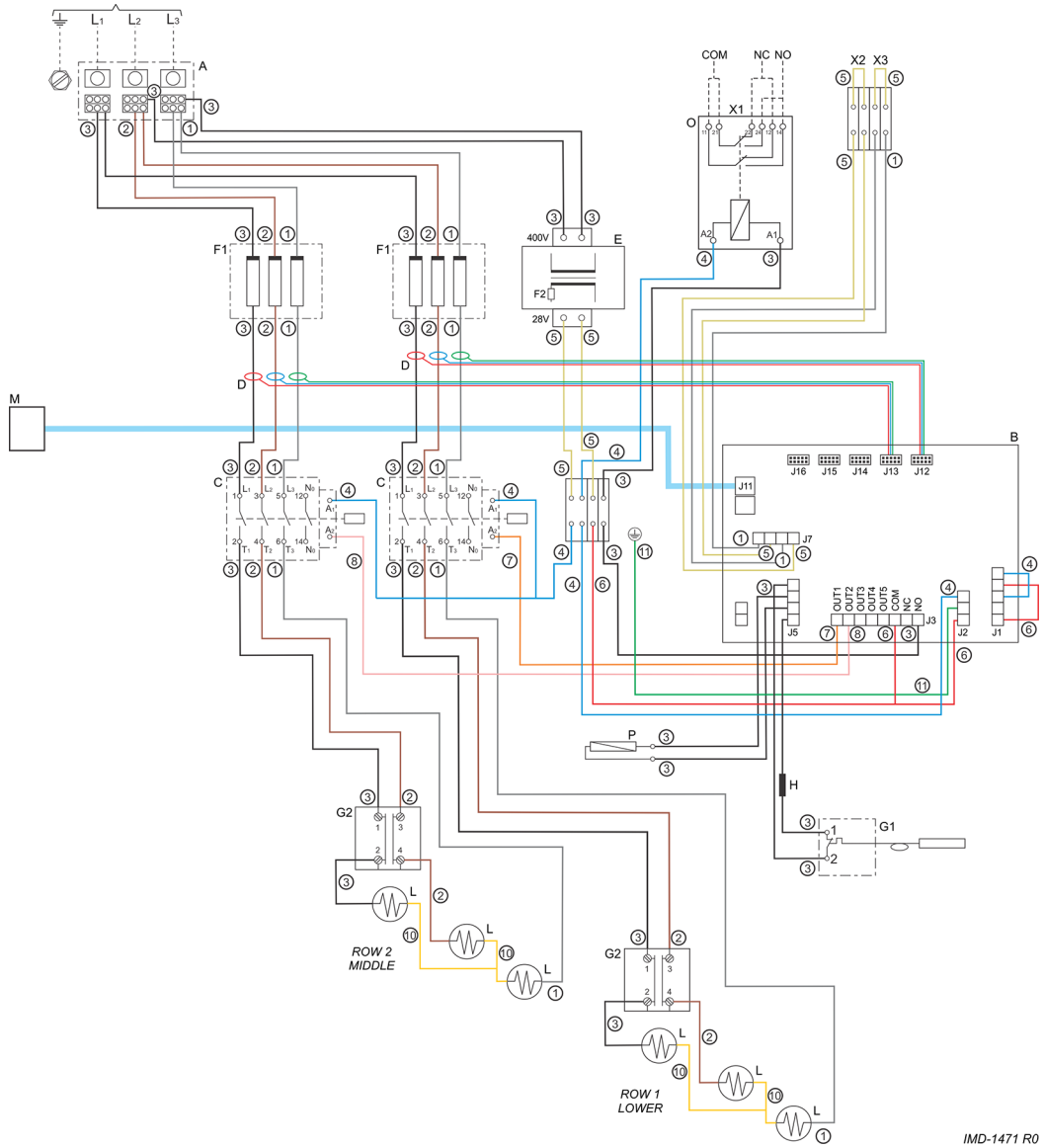
Fig. 3 elements/Afb. 3 elementen/Fig. 3 éléments



AP

IMD-1470 R0

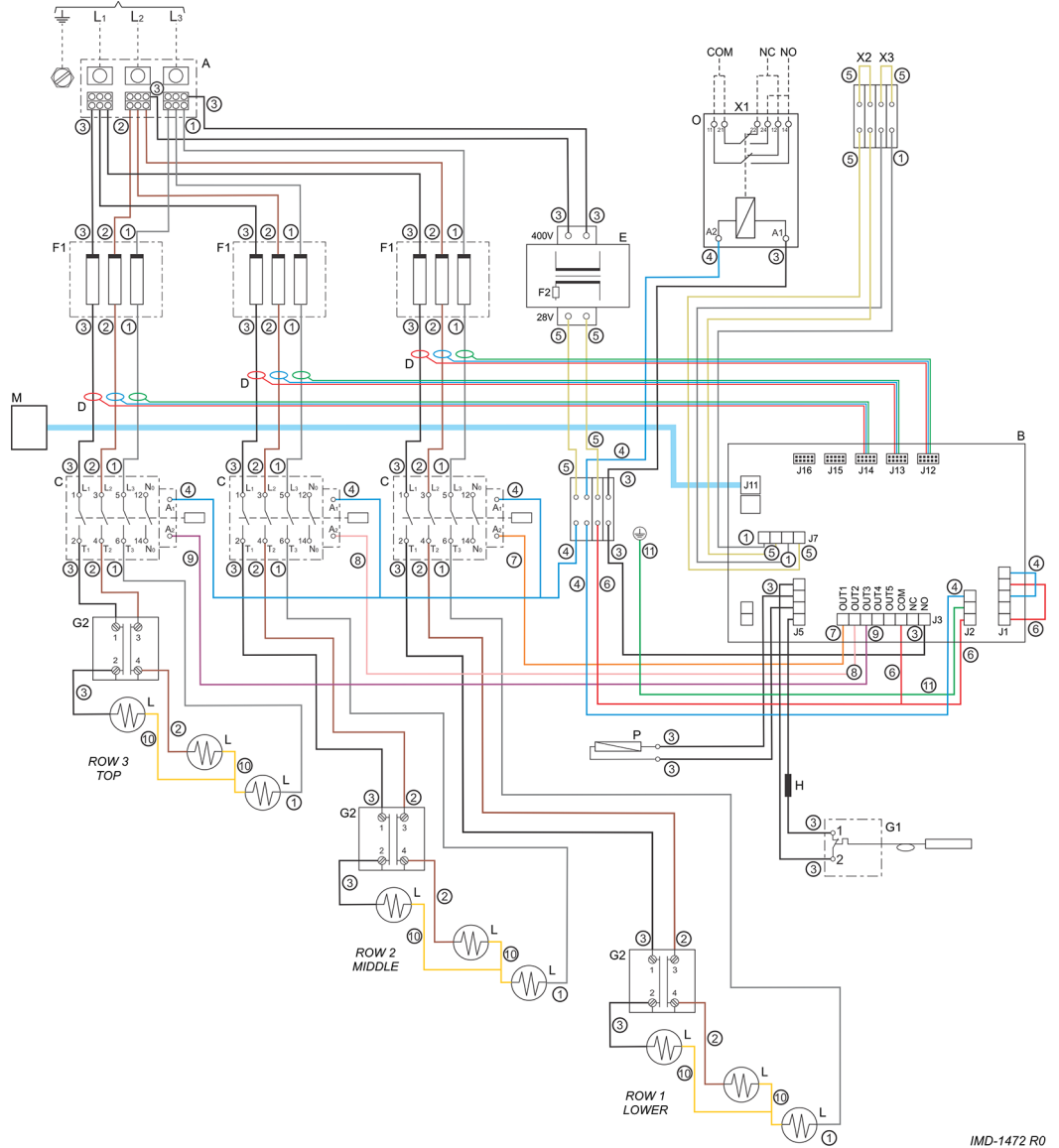
Fig. 6 elements/Afb. 6 elementen/Fig. 6 éléments



IMD-1471 R0



Fig. 9 elements/Afb. 9 elementen/Fig. 9 éléments




IMD-1472 R0

AP

**Cable colors/Kabelkleuren/Couleurs des câbles**

1.	Gray	Grijs	Gris
2.	Brown	Bruin	Marron
3.	Black	Zwart	Noir
4.	Blue	Blauw	Bleu
5.	White	Wit	Blanc
6.	Red	Rood	Rouge
7.	Orange	Oranje	Orange
8.	Pink	Roze	Rose
9.	Purple	Paars	Violet
10.	Yellow	Geel	Jaune
11.	Yellow/Green	Geel/groen	Jaune/Vert

**Terminal block connections/Aansluitingen aansluitingsblok/Bloc de raccordement électrique de terminaux**

	Earth	Aarde	Terre
L <sub>1</sub> .	Phase 1 input	Fase 1 ingang	Entrée phase 1
L <sub>2</sub> .	Phase 2 input	Fase 2 ingang	Entrée phase 2
L <sub>3</sub> .	Phase 3 input	Fase 3 ingang	Entrée phase 3

**Additional connections/Extra aansluitingen/Connexions supplémentaires**

X1	Alarm relay output	Alarm relaisuitgang	Sortie relais d'alarme
X2	External on/off input 1	Externe aan/uit-ingang 1	Entrée on/off externe 1
X3	External on/off input 2	Externe aan/uit-ingang 2	Entrée on/off externe 2

**Components/Onderdelen/Composants**

A.	Terminal Block	Aansluitblok	Bloc de raccordement électrique
B.	Control	Besturing	Commande
C.	Relay	Relais	Relais
D.	Element current sensors	Element-stroomsensoren	Capteurs de courant à éléments
E.	Transformer 400-28VAC	Transformer 400-28VAC	Transformateur 400-28VCA
F1.	Element fuse (gG 400VAC/32A)	Elementzekering (gG 400VAC/32A)	Fusible élément (gG 400VCA/32A)
F2.	Transformer fuse (T1AL250)	Transformatorzekering (T1AL250)	Fusible transformateur (T1AL250)
G1.	Main safety thermostat	Hoofdveiligheidsthermostaat	Thermostat de sécurité principal
G2.	Row safety thermostat	Rij veiligheidsthermostaat	Thermostat de sécurité de rangée
H.	Thermal fuse	Thermische zekering	Fusible thermique
L.	Electrical heating element	Elektrisch verwarmingselement	Élément chauffant électrique
M.	Display	Display	Écran
O.	Alarm relay (SPDT - 250VAC/10A max.)	Alarmelais (SPDT - 250VAC/10A max.)	Relais d'alarme (SPDT - 250VAC/10A max.)
P.	Temperature sensor	Temperatuursensor	Fusible thermique

## A.6

# Declaration of conformity/ Conformiteitsverklaring/Déclaration de conformité

### A.6.1

United Kingdom



## Declaration of Conformity

Manufacturer: A.O. Smith Water Products Company b.v.  
De Run 5305  
5503 LW Veldhoven  
The Netherlands

hereby declares that the following products:

Product description: Electric Storage Water Heater  
Product family name: -  
Product models: DRE PLUS 52-9, DRE PLUS 52-18, DRE PLUS 52-36,  
DRE PLUS 80-9, DRE PLUS 80-18, DRE PLUS 80-36, DRE PLUS 80-54

on the assumption that the installation instructions have been followed are compliant to:

Low Voltage Directive (LVD) - 2014/35/EU  
- EN 50106:2008  
- EN 60335-1:2012 + AC:2014 + A11:2014 + A13:2017 + A1:2019 + A2:2019 + A14:2019 + A15:2021  
- EN 60335-2-21:2003 + A1:2005 + AC:2007 + A2:2008 + AC:2010  
- EN 60335-2-21:2021  
- EN 62233:2008 + AC:2008

Electromagnetic Compatibility Directive (EMC) - 2014/30/EU  
- EN 55014-1:2017 + A11:2020 + EN IEC 55014-1:2021 + EN 55014-1:2006 + A1:2009 + A2:2011  
- EN 55014-2:2015 + EN IEC 55014-2:2021 + EN 55014-2:1997 + AC:1997 + A1:2001 + A2:2008  
- EN 61000-3-2:2014 + EN IEC 61000-3-2:2019 + A1:2021  
- EN 61000-3-3:2013 + A1:2019

ECO Design Directive (ErP) - 2009/125/EC  
- Commission regulation No. 814/2013 based on notices 2014/C - 207/03

Requirements for Restriction of Hazardous Substances (RoHS II/III) Directive - 2011/65/EU en 2015/863/EU

Company:  
A.O. Smith Water Products Company b.v.

Date:  
November 1, 2021

Signature:

T. van der Hamsvoort  
Managing Director

AP



## Declaration of Conformity

Manufacturer: A.O. Smith Water Products Company b.v.  
De Run 5305  
5503 LW Veldhoven  
The Netherlands

hereby declares that the following products:

Product description: Electric Storage Water Heater  
Product family name: -  
Product models: DRE PLUS 52-9, DRE PLUS 52-18, DRE PLUS 52-36,  
DRE PLUS 80-9, DRE PLUS 80-18, DRE PLUS 80-36, DRE PLUS 80-54

on the assumption that the installation instructions have been followed are compliant to:

Electrical Equipment (Safety) Regulations 2016 (UK SI 2016 No. 1101)  
- EN 50106:2008  
- EN 60335-1:2012 + AC:2014 + A11:2014 + A13:2017 + A1:2019 + A2:2019 + A14:2019 + A15:2021  
- EN 60335-2-21:2003 + A1:2005 + AC:2007 + A2:2008 + AC:2010  
- EN 60335-2-21:2021  
- EN 62233:2008 + AC:2008

Electromagnetic Compatibility Regulations 2016 (UK SI 2016 No. 1091)  
- EN 55014-1:2017 + A11:2020 + EN IEC 55014-1:2021 + EN 55014-1:2006 + A1:2009 + A2:2011  
- EN 55014-2:2015 + EN IEC 55014-2:2021 + EN 55014-2:1997 + AC:1997 + A1:2001 + A2:2008  
- EN 61000-3-2:2014 + EN IEC 61000-3-2:2019 + A1:2021  
- EN 61000-3-3:2013 + A1:2019

Ecodesign for Energy-Related Product Regulations 2010 (UK SI 2010 No. 2617)  
- Commission regulation No. 814/2013 based on notices 2014/C - 207/03

RoHS Regulations 2012 (UK SI 2012 No. 3032)

Company:  
A.O. Smith Water Products Company b.v.

Date:  
November 1, 2021

Signature:

T. van der Hamsvoort  
Managing Director

AP



## Conformiteitsverklaring

Fabrikant: A.O. Smith Water Products Company b.v.  
De Run 5305  
5503 LW Veldhoven  
Nederland

verklaart hierbij dat de volgende producten:

Product omschrijving: Elektrisch Warmwater Voorraadtoestel  
Product familienaam: -  
Product naam: DRE PLUS 52-9, DRE PLUS 52-18, DRE PLUS 52-36,  
DRE PLUS 80-9, DRE PLUS 80-18, DRE PLUS 80-36, DRE PLUS 80-54

op de veronderstelling dat de installatie instructies zijn opgevolgd, voldoen aan de onderstaande Europese Richtlijnen:

Laagspanningsrichtlijn (LVD) - 2014/35/EU

- EN 50106:2008
- EN 60335-1:2012 + AC:2014 + A11:2014 + A13:2017 + A1:2019 + A2:2019 + A14:2019 + A15:2021
- EN 60335-2-21:2003 + A1:2005 + AC:2007 + A2:2008 + AC:2010
- EN 60335-2-21:2021
- EN 62233:2008 + AC:2008

Elektromagnetisch Compatibiliteit Richtlijn (EMC) - 2014/30/EU

- EN 55014-1:2017 + A11:2020 + EN IEC 55014-1:2021 + EN 55014-1:2006 + A1:2009 + A2:2011
- EN 55014-2:2015 + EN IEC 55014-2:2021 + EN 55014-2:1997 + AC:1997 + A1:2001 + A2:2008
- EN 61000-3-2:2014 + EN IEC 61000-3-2:2019 + A1:2021
- EN 61000-3-3:2013 + A1:2019

Richtlijn Energie gerelateerde Producten (ErP) - 2009/125/EG

- Verordening van de commissie No. 814/2013 op basis van Mededeling 2014/C - 207/03

Richtlijn voor gebruik van gevaarlijke stoffen in elektr(on)ische apparatuur (RoHS II/III) - 2011/65/EU en 2015/863/EU

Bedrijf:  
A.O. Smith Water Products Company b.v.

Datum:  
1 November 2021

Handtekening:

T. van der Hamsvoort  
Algemeen Directeur



## Déclaration de Conformité

Fabricant: A.O. Smith Water Products Company b.v.  
De Run 5305  
5503 LW Veldhoven  
Pays-Bas

déclare que les produits suivants:

Description: Chauffe-eau Électrique  
Nom de famille de produit: -  
Modèles de produit: DRE PLUS 52-9, DRE PLUS 52-18, DRE PLUS 52-36,  
DRE PLUS 80-9, DRE PLUS 80-18, DRE PLUS 80-36, DRE PLUS 80-54

sur l'hypothèse que les instructions d'installation ont été suivies conformes à:

Directive Basse Tension (LVD) - 2014/35/UE  
- EN 50106:2008  
- EN 60335-1:2012 + AC:2014 + A11:2014 + A13:2017 + A1:2019 + A2:2019 + A14:2019 + A15:2021  
- EN 60335-2-21:2003 + A1:2005 + AC:2007 + A2:2008 + AC:2010  
- EN 60335-2-21:2021  
- EN 62233:2008 + AC:2008

Directive Compatibilité Electromagnétique (EMC) - 2014/30/UE  
- EN 55014-1:2017 + A11:2020 + EN IEC 55014-1:2021 + EN 55014-1:2006 + A1:2009 + A2:2011  
- EN 55014-2:2015 + EN IEC 55014-2:2021 + EN 55014-2:1997 + AC:1997 + A1:2001 + A2:2008  
- EN 61000-3-2:2014 + EN IEC 61000-3-2:2019 + A1:2021  
- EN 61000-3-3:2013 + A1:2019

Directive du ECO Design (ErP) - 2009/125/CE  
- Règlement de la Commission No. 814/2013 sur la base de avis 2014/C - 207/03

Directive relative à la limitation de l'utilisation de certaines substances dangereuses dans les équipements électriques et électroniques (RoHS II/III) - 2011/65/UE en 2015/863/UE

Société:  
A.O. Smith Water Products Company b.v.

Date:  
1 Novembre 2021

Signature:

T. van der Hamsvoort  
Directeur Général