

CE

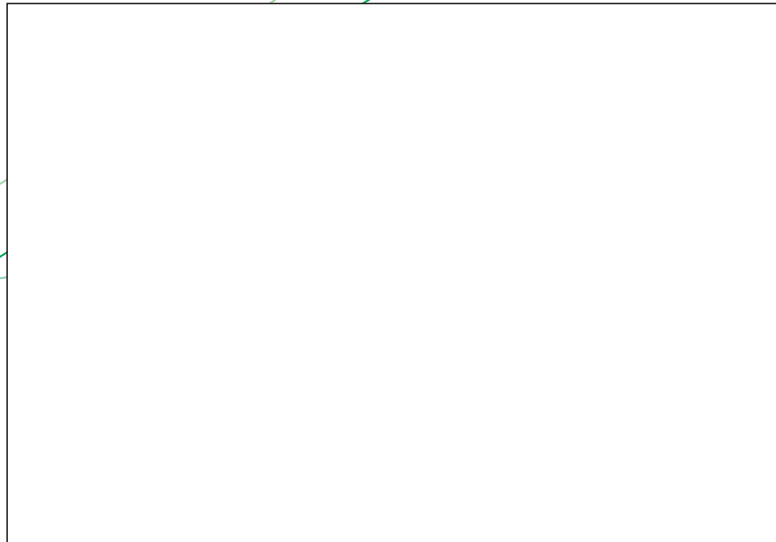
# ADMP

Commercial Atmospheric  
Water Heater

**ADM - 40/50/60/80/90/115**

0311812 2718-ChangesReserved.

Installation, User and Service  
Manual



**your installer**



## Read this manual carefully

---

### **Warning**

Read this manual carefully before starting up the water heater. Failure to read this manual and to follow the instructions in this manual may lead to accidents, personal injury, and damage to the appliance.

---

### **Copyright © 2015 A.O. Smith Water Products Company**

All rights reserved.

Nothing from this publication may be copied, reproduced and/or published by means of printing, photocopying or by whatsoever means, without the prior written approval of A.O. Smith Water Products Company.

A.O. Smith Water Products Company reserves the right to modify specifications stated in this manual.

## Trademarks

Any brand names mentioned in this manual are registered trademarks of their respective owners.

## Liability

A.O. Smith Water Products Company accepts no liability for claims from third parties arising from improper use other than that stated in this manual and in accordance with the General Conditions registered at the Eindhoven Chamber of Commerce.

Refer further to the General Conditions. These are available on request, free of charge.

Although considerable care has been taken to ensure a correct and suitably comprehensive description of all relevant components, the manual may nonetheless contain errors and inaccuracies.

Should you detect any errors or inaccuracies in the manual, we would be grateful if you would inform us. This helps us to further improve our documentation.

## More information

If you have any comments or queries concerning any aspect related to the appliance, then please do not hesitate to contact:

A.O. Smith Water Products Company

PO Box 70

5500 AB Veldhoven

Netherlands

Telephone: (free) 0870 - AOSMITH  
0870 - 267 64 84

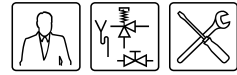
General: +31 40 294 25 00

Fax: +31 40 294 25 39

E-mail : [info@aosmith.nl](mailto:info@aosmith.nl)

Website: [www.aosmithinternational.com](http://www.aosmithinternational.com)

In the event of problems with connecting to the gas, electricity or water supply, please contact your installation's supplier/installation engineer.



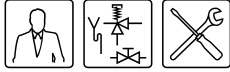


# Table of contents

<b>1</b>	<b>Introduction</b>	<b>7</b>
1.1	About the appliance	7
1.2	What to do if you smell gas-	7
1.3	Regulations	7
1.4	Target groups	8
1.5	Maintenance-	9
1.6	Forms of notation	9
1.7	Overview of this document	10
<b>2</b>	<b>Working principle of the appliance-</b>	<b>11</b>
2.1	Introduction	11
2.2	General working principle of the appliance	11
2.3	The appliance's heating cycle	12
2.4	Protection for the appliance	13
2.5	Safety of the installation	14
<b>3</b>	<b>Installation</b>	<b>15</b>
3.1	Introduction	15
3.2	Packaging	15
3.3	Ambient conditions-	15
3.4	Technical specifications	18
3.5	Installation diagram	22
3.6	Water connections, Unvented	23
3.7	Gas connection	25
3.8	Electrical connection	26
3.9	Chimney flue-	27
3.10	Checking the supply pressure and burner pressure	30
<b>4</b>	<b>Conversion to a different gas category</b>	<b>33</b>
4.1	Conversion to a different gas category	34
<b>5</b>	<b>Filling-</b>	<b>37</b>
5.1	Filling unvented installations	38
5.2	Filling vented installations	38
<b>6</b>	<b>Draining</b>	<b>39</b>
6.1	Draining unvented installations	40
6.2	Draining vented installations	40
<b>7</b>	<b>The control panel-</b>	<b>41</b>
7.1	Introduction	41
7.2	Control panel	41
7.3	Control thermostat	41
7.4	On/off switch-	41
7.5	Flue gas thermostat reset button	41
<b>8</b>	<b>Status of the appliance-</b>	<b>43</b>
8.1	Introduction	43
8.2	Operating modes	43
8.3	Error conditions	43

## Table of contents

<b>9</b>	<b>Starting and running</b>	<b>45</b>
9.1	Introduction	-45
9.2	Starting the appliance	-45
9.3	The appliance's heating cycle	-45
<b>10</b>	<b>Shutting down</b>	<b>47</b>
10.1	Introduction	-47
10.2	Shutting the appliance down for a brief period ("OFF" mode)	-47
10.3	Isolating the appliance from the mains	-47
10.4	Shutting the appliance down for a long period	-47
10.5	Disposal	-47
<b>11</b>	<b>Troubleshooting</b>	<b>49</b>
11.1	Introduction	-49
11.2	Error conditions	-49
11.3	ADMP Troubleshooting table for general errors	-50
11.4	ADMP Troubleshooting table - no hot water	-51
11.5	ADMP Troubleshooting table - insufficient hot water	-52
<b>12</b>	<b>Performing maintenance</b>	<b>53</b>
12.1	Introduction	-53
12.2	Preparation for maintenance	-53
12.3	Water-side maintenance	-54
12.4	Gas-side maintenance	-56
12.5	Finalising maintenance	-56
<b>13</b>	<b>Warranty (certificate)</b>	<b>57</b>
13.1	General warranty	-57
13.2	Tank warranty	-57
13.3	Conditions for Installation and use	-57
13.4	Exclusions	-58
13.5	Scope of the warranty	-58
13.6	Claims	-58
13.7	Obligations of A.O. Smith	-58
<b>14</b>	<b>Appendices</b>	<b>59</b>
14.1	Introduction	-59
14.2	Electrical diagram	-60



# 1 Introduction

## 1.1 About the appliance

This manual describes how to install, service and use the ADMP appliance. The ADMP appliance is a gas-fired open boiler without fan. ADMP appliances are equipped with a flue gas backflow safeguard.

The ADMP is an appliance of type B<sub>11BS</sub>.

The information in this manual applies to types: ADMP 40, ADMP 50, ADMP 60, ADMP 80, ADMP 90 and ADMP 115.

The appliance has been manufactured and equipped in accordance with the European standard for gas-fired storage water heaters for the production of domestic hot water (EN 89). The appliances are therefore compliant with the European Directive for Gas Appliances, and are entitled to bear the CE mark.



---

### Warning

Read this manual carefully before starting up the water heater. Failure to read the manual and to follow the printed instructions may lead to personal injury and damage to the appliance.

---

## 1.2 What to do if you smell gas

---

### Warning

If there is a **gas smell**:

No naked flames! No smoking!

Avoid causing sparks! Do not use any electrical equipment or switch, i.e. no telephones, plugs or bells!

Open windows and doors!

Shut off the mains gas supply valve!

Warn occupants and leave the building!

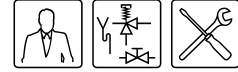
After leaving the building, alert the gas distribution company or your installation engineer.

---

## 1.3 Regulations

**Gas Safety Installations and Use Regulations 1998 (as amended).** By law, all gas appliances must be installed by competent persons, in accordance with the above regulations. Failure to install appliances correctly could lead to prosecution. It is in your own interest, and that of safety, to ensure that this law is complied with.

The installation of the boiler **MUST** be carried out in accordance with the relevant requirements of the Gas Safety Regulations, Building Regulations, IEE Regulations and the Water Supply (water fittings) Regulations.



The installation should also be in accordance with any relevant requirements of the HSE, local gas region and local authority and the relevant recommendations of the following documents:

#### British Standards

- **BS 6891:** Specification for installation of low-pressure gas pipework of up to 28 mm (R1) in domestic premises (2nd family gas). For larger installations, see IGE/UP/2 below.
- **BS 6798:** Specification for installation of gas-fired boilers of rated input not exceeding 70 kW net.
- **BS 6644:** Specification for installation of gas-fired hot water boilers of rated inputs between 60 kW and 2 MW (2nd and 3rd family gases).
- **BS 6700:** Specification for design, installation, testing and maintenance of services supplying water for domestic use within buildings and their associated premises.
- **BS EN 806-2:** Specification for installations inside buildings conveying water for human consumption. Part 2: Design.
- **BS 5546:** Specification for installation of hot water supplies for domestic purposes, using gas-fired appliances of rated input not exceeding 70 kW.
- **BS 5440:** Installation and maintenance of flues and ventilation for gas appliances of rated input not exceeding 70 kW net (1st, 2nd and 3rd family gases). Part 1: Flues. Part 2: Ventilation.

#### Institute of Gas Engineers and Managers Publications

- IGE/UP/1 Soundness testing and purging of industrial and commercial gas installations.
- IGE/UP/1A Soundness testing and direct purging of small low-pressure industrial and commercial natural gas installations.
- GE/UP/2 Gas installation pipework, boosters and compressors on industrial and commercial premises.
- IGE/UP/10 Installation of gas appliances in industrial and commercial premises. Part 1: flued appliances.

#### CIBSE Publications:- "CIBSE Guide"

##### Section B4: Water Service Systems.




## 1.4 Target groups

The three target groups for this manual are:

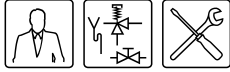
- (end) users;
- installation engineers;
- service and maintenance engineers.

Symbols on each page indicate the target groups for whom the information is intended. See the table.

#### Target group symbols

Symbol	Target group
	(End) user
	Installation engineer
	Service and maintenance engineer





## 1.5 Maintenance

A service should be carried out at least once a year, both on the water side and on the gas side. Maintenance frequency depends, among other things, on the water quality, the average burning time per day and the set water temperature.

---

### **Note**

To determine the correct maintenance frequency, it is recommended to arrange for the service and maintenance engineer to check the appliance on both the water and gas side within three months following installation. Based on this check, the best maintenance frequency can be determined.

### **Note**

Regular maintenance extends the service life of the appliance.

### **Note**

Both the end user and the service and maintenance engineer are responsible for regular maintenance. They will need to establish clear agreements on this.

### **Note**

If the appliance is not regularly maintained, the warranty will become void.

## 1.6 Forms of notation

The following notation is used in this manual:

---

### **Note**

Important information.

---

### **Caution**

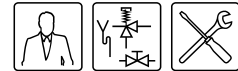
Ignoring this information can lead to the appliance being damaged.

---

### **Warning**

Failure to carefully read this information may lead to personal injury and serious damage to the appliance.


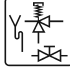




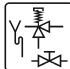


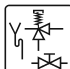


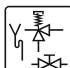


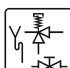


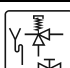


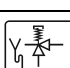


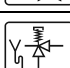



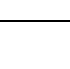
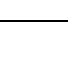
---



### 1.7 Overview of this document

The table provides an overview of the contents of this document.

#### Contents of this document

Chapter	Target groups	Description
<u>Working principle of the appliance</u>	  	This chapter describes how the appliance functions.
<u>Installation</u>	 	This chapter describes the installation activity to be completed before you actually start up the appliance.
<u>Filling</u>	  	This chapter describes how to fill the appliance.
<u>Draining</u>	  	This chapter describes how to drain the appliance.
<u>The control panel</u>	  	This chapter describes the general operation of the appliance and explains how to use the control panel.
<u>Status of the appliance</u>	  	This chapter describes the status (mode or condition) that the appliance may have, and possible actions to take.
<u>Starting and running</u>	  	This chapter describes how to start the appliance running. The general heating cycle of the appliance is also described.
<u>Shutting down</u>	  	This chapter describes how to shut the appliance down for a brief or long period of time.
<u>Troubleshooting</u>	  	This chapter is mainly intended for the installation engineer and the service and maintenance engineer. It describes appliance errors. A table is included stating potential symptoms, causes and solutions. End users may also refer to this chapter for additional information about the appliance.
<u>Performing maintenance</u>		This chapter sets out the maintenance tasks to be carried out during a service.
<u>Warranty (certificate)</u>	  	This chapter states the warranty terms and conditions.



# 2 Working principle of the appliance

## 2.1 Introduction

Topics covered in this chapter, in sequence:

- General working principle of the appliance;
- The appliance's heating cycle;
- Protection for the appliance;
- Safety of the installation.

## 2.2 General working principle of the appliance

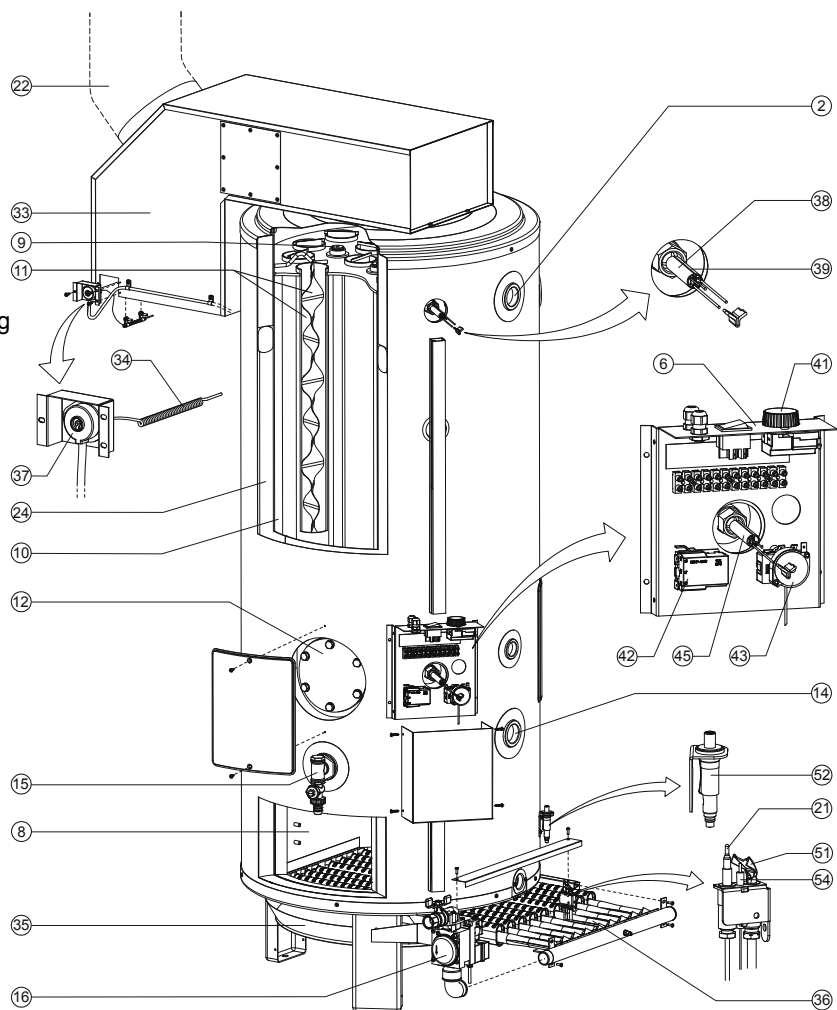
The figure shows a cut-away view of the appliance.

*Cut-away view of the appliance*

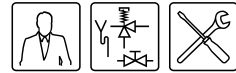
### Legend

Only applicable numbers are mentioned.

- 2. hot water outlet
- 6. control panel
- 8. combustion chamber
- 9. anode
- 10. tank
- 11. heat exchanger
- 12. inspection and cleaning opening
- 14. cold water inlet
- 15. drain valve
- 16. gas control
- 21. flame probe
- 22. chimney pipe
- 24. insulation layer
- 33. draught diverter
- 34. flue gas sensor
- 35. radiation shield/condensation tray
- 36. bar burners/burner tray
- 37. flue gas thermostat
- 38. safety thermostat sensor
- 39. high-limit thermostat sensor
- 41. control thermostat
- 42. high-limit thermostat
- 43. safety thermostat
- 45. control thermostat sensor
- 51. pilot burner
- 52. spark igniter
- 54. spark electrode



IMD-0364 R1



In this appliance, the cold water enters the bottom of the tank through the cold water inlet (14). The heat of combustion is conducted to the water by the combustion chamber (8) and heat exchanger (11). The heated tap water leaves the tank through the hot water outlet (2). Once the appliance is completely filled with water, it will constantly be under mains water pressure. When hot water is drawn from the appliance, it is immediately replenished with cold water.

The gas required for combustion flows via the gas control (16) into the manifold. Orifices are mounted in the manifold. The gas is injected into the burner bars at pressure from these orifices (36). The burner bars together form the burner tray. The injection of gas into the burner bars also draws in the primary air required for combustion. The narrow opening in the orifice causes the gas flow to accelerate. This in turn causes a partial vacuum. It is this partial vacuum that draws in the air (the Venturi effect). Additional air is drawn in through the opening in the burner tray.

The spark surface igniter (52) ensures ignition of the gas/air mixture. The thermocouple voltage ensures that the gas control either remains open or closes.

The flue gases released by this combustion are led through the flue tubes (part of 11). Flue baffles (part of 11) are mounted in the flue tubes. These retard the flow of the flue gases, thereby increasing the thermal efficiency of the appliance.

The flue gases are vented from the appliance via the draught diverter (33). For safety, a flue gas sensor (37) has been fitted to the draught diverter.

A radiation shield/condensation tray (35) is mounted below the burner tray. This prevents overheating of the floor area below the appliance, as well as serving as a collection tray for condensation water.

The insulation layer (24) prevents heat loss. The inside of the tank is enamelled to protect against corrosion. The anodes (9) offer extra protection.

### 2.3 The appliance's heating cycle

The entire appliance is regulated by a control thermostat. The control thermostat monitors the water temperature ( $T_{\text{water}}$ ). The appliance's heating cycle is activated as soon as  $T_{\text{water}}$  falls below the specified threshold value ( $T_{\text{set}}$ ). The value for  $T_{\text{set}}$  can be adjusted using the control thermostat ( $\pm 40\text{ }^{\circ}\text{C}$  -  $\pm 70\text{ }^{\circ}\text{C}$ ).

As soon as  $T_{\text{water}}$  drops below  $T_{\text{set}}$  there is a demand, and the control thermostat closes, causing the main valve on the gas control to open. The gas mixes with the air it draws along. This mixture is ignited by the pilot burner and the water is heated. As soon as  $T_{\text{water}}$  exceeds  $T_{\text{set}}$ , demand ceases, the thermostat opens again, and the heating cycle stops.

The control thermostat has a certain margin both when closing and opening. We refer to this margin as the hysteresis. The hysteresis cannot be adjusted.



## 2.4 Protection for the appliance

The burner control monitors the water temperature by means of thermostats and ensures safe combustion. This takes place using:

- the Gas control;
- the Thermocouple;
- the Water temperature protection;
- the Flue gas backflow safeguard.

### 2.4.1 Gas control

The gas control has 2 valves for safety purposes:

1. The main valve, which controls the gas supply to the burner tray and which is switched via the I/O/II switch circuit and the control, high-limit and flue gas thermostats. This circuit is powered by the supply voltage.
2. The safety valve, which controls the gas supply to the pilot burner and which is switched via the thermocouple circuit and the safety thermostat. This circuit is powered by the millivoltage from the thermocouple that is located in the pilot flame. Whenever the safety valve closes, the main valve also closes.

### 2.4.2 Thermocouple

1. To prevent gas flowing when there is no combustion, a thermocouple is fitted. As a result of the presence of the (permanent) pilot flame, the thermocouple maintains a millivoltage which keeps the gas control's safety valve open.
2. If the pilot flame goes out, this voltage disappears and the gas control's safety valve closes, interrupting the gas supply to the burner tray.

### 2.4.3 Water temperature protection

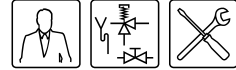
The burner control monitors three temperatures related to safety using the frost and high-limit thermostats. The table explains the operation of the thermostats with sensors.

#### *Temperature protection*

Protection	Description
High-limit thermostat	The heat demand is ended by closing the gas control. This terminates the heating cycle. The heating cycle restarts once the high-limit thermostat closes. This happens because the pilot light stays lit when the gas control is closed. The high-limit thermostat prevents overheating and/or excess lime buildup.
Safety thermostat	If the safety thermostat sensor (38) registers a temperature that is higher than 93 °C, the power to the thermocouple is switched off. This terminates the heating cycle. It is then only possible to restart the appliance using the spark igniter.

### 2.4.4 Flue gas backflow safeguard

To prevent the flue gases from flowing back into the appliance, a flue gas sensor (34) and flue gas thermostat (37) have been fitted to the draught diverter. Under normal conditions, this sensor will register the ambient temperature. However, if the chimney does not draw sufficiently (for example due to a blockage in the chimney) then the flue gases will 'reflux' and flow back past the flue gas sensor. The sensor will then detect an unusually high temperature and the flue gas thermostat will open. The gas control's main circuit closes, which interrupts the heating cycle. The flue gas thermostat is blocked and the appliance must be restarted manually.



## 2.5 Safety of the installation

In addition to the standard safety monitoring of the appliance, the appliance must also be protected by an expansion vessel, expansion valve, non-return valve and a T&P valve.

Use of an expansion vessel and expansion valve depends on the type of installation: unvented or vented.

### 2.5.1 Unvented installation

With an unvented installation, an expansion valve and expansion vessel prevent the buildup of excessive pressure in the tank. This prevents damage being caused to the enamelled coating (in the appliance) or to the tank. A non-return valve prevents excessive pressure buildup in the water supply system. This valve also prevents water from flowing backwards from the tank into the cold water supply system. The pressure reducing valve protects the installation against an excessively high water supply pressure (> 8 bar). These components are fitted to the cold water pipe (3.6.6 "Water connections, Vented").

### 2.5.2 Vented installation

With a vented installation, excess pressure is taken up by the open cold water head tank. The height of the head tank determines the working pressure in the water heater, which may not exceed 8 bar. The installation must also be fitted with a vent pipe from the hot water pipe, that opens into the cold water tank.

Ideally, the vent pipe should discharge into a separate tundish/drain or otherwise to the open cold water head tank. The water heater should also be fitted on the hot water side with a stop valve (3.6.3 "Hot water side").

### 2.5.3 T&P valve

A T&P (Temperature and Pressure Relief) valve monitors the pressure in the tank and the water temperature at the top of the tank. If the pressure in the tank becomes excessive (> 10 bar) or the water temperature is too high (> 97 °C), the valve will open. The hot water can now flow out of the tank. Because the appliance is under water supply pressure, cold water will automatically flow into the tank. The valve remains open until the unsafe situation has been rectified. The appliance is fitted standard with a connecting point for a T&P valve (3.6.3 "Hot water side").



# 3 Installation

---

## Warning

Installation work should be carried out by an approved installation engineer in compliance with the general and local regulations imposed by the gas, water and power supply companies and the fire service.

The appliance may only be installed in a room that complies with the requirements stated in national and local ventilation regulations (1.3 "Regulations").

---

### 3.1 Introduction

This chapter describes the installation activities to be carried out before the appliance may be started up (9 "Starting and running"), in particular:

- [Packaging](#);
- [Ambient conditions](#);
- [Technical specifications](#);
- [Water connections. Vented](#);
- [Gas connection](#);
- [Chimney flue](#);
- [Electrical connection](#);
- [Checking the supply pressure and burner pressure](#).

For possible conversion to a different gas category, see conversion (4 "Conversion to a different gas category").

### 3.2 Packaging

To avoid damaging the appliance, remove the packaging carefully.

We recommend unpacking the appliance at or near its intended location.

---

## Caution

The appliance may only be manoeuvred in an upright position. Take care that the appliance is not damaged after unpacking.

---

The packaging prevents damage to the appliance during transport. The packaging material chosen is environmentally friendly, recyclable and relatively easy to dispose of in an environmentally aware way.



### 3.3 Ambient conditions

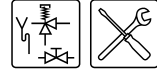
---

## Caution

The appliance may not be used in rooms where chemical substances are stored or used, due to the risk of explosion and/or corrosion of the appliance. Some propellants, bleaching agents, degreasing agents etc. disperse vapours which are explosive and/or which cause accelerated corrosion. If the appliance is used in a room in which such substances are present, the warranty will be void.

---

ADMP appliances are open appliances and may only be installed in an open boiler room. Their type is B<sub>11BS</sub>.



### 3.3.1 Air humidity and ambient temperature

The boiler room must be frost-free, or be protected against frost. The table shows the environmental conditions that must be adhered to for correct functioning of the electronics present in the appliance to be guaranteed.

*Air humidity and ambient temperature specifications*

Air humidity and ambient temperature	
Air humidity	max. 93% RV at +25 °C
Ambient temperature	Functional: $0 \leq T \leq 60$ °C

### 3.3.2 Maximum floor load

In connection with the appliance's weight, take account of the maximum floor loading:

*Maximum floor load*

ADMP 40	ADMP 50	ADMP 60	ADMP 80	ADMP 90	ADMP 115
504 kg	578 kg	507 kg	573 kg	522 kg	523 kg

### 3.3.3 Water composition

The appliance is intended for heating drinking water. The drinking water must comply with the regulations governing drinking water for human consumption. The table gives an overview of the specifications.

*Water specifications*

Water composition	
Hardness (alkaline earth ions)	> 1.00 mmol/l: <ul style="list-style-type: none"> <li>• German hardness &gt; 5.6° dH</li> <li>• French hardness &gt; 10.0° fH</li> <li>• English hardness &gt; 7.0° eH</li> </ul>
Conductivity	> 125 µS/cm
Acidity (pH value)	7.0 < pH value < 9.5

#### Note

If the water specifications deviate from those stated in the table, then the tank protection cannot be guaranteed (13 "Warranty (certificate)").





### 3.3.4 Working clearances

For access to the appliance, it is recommended that the following clearances are observed (see figure):

- AA: around the appliance's control column and cleaning openings: 100 cm.
- BB: all sides of the appliance: 50 cm.
- Above the appliance (room to replace the anodes):
  - 100 cm if using fixed anodes, or
  - 50 cm if using flexible anodes.

If the available clearance is less than 100 cm, flexible magnesium anodes may be ordered.

---

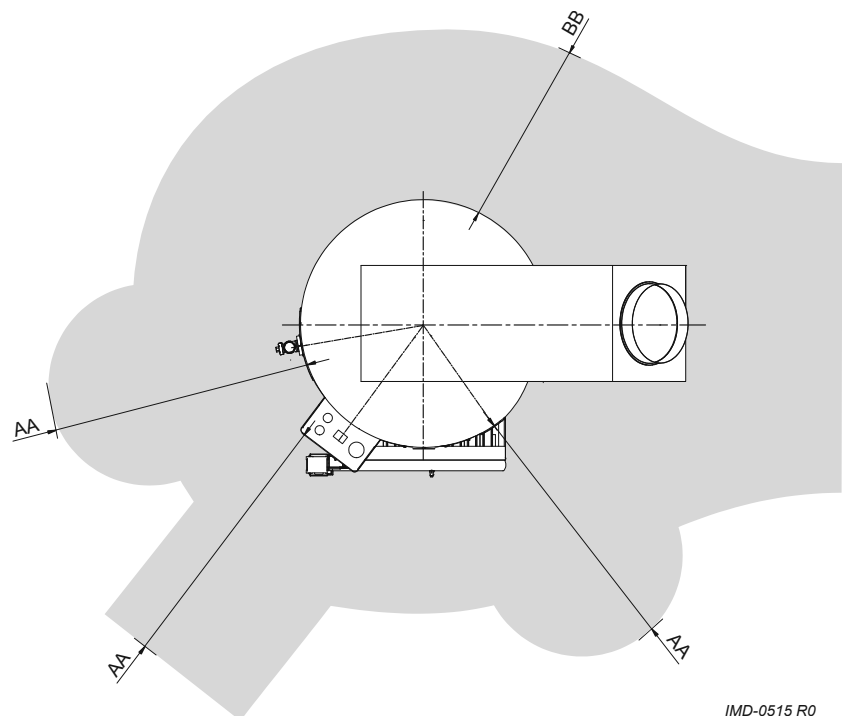
#### Note

When installing the appliance, be aware that any leakage from the tank and/or connections can cause damage to the immediate environment or floors below the level of the boiler room. If this is the case, the appliance should be installed above a wastewater drain or in a suitable metal leak tray.

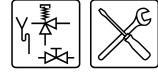
The leak tray must have an appropriate wastewater drain and must be at least 5 cm deep with a length and width at least 5cm greater than the diameter of the appliance.

---

*Working clearances*



IMD-0515 R0



### 3.4 Technical specifications

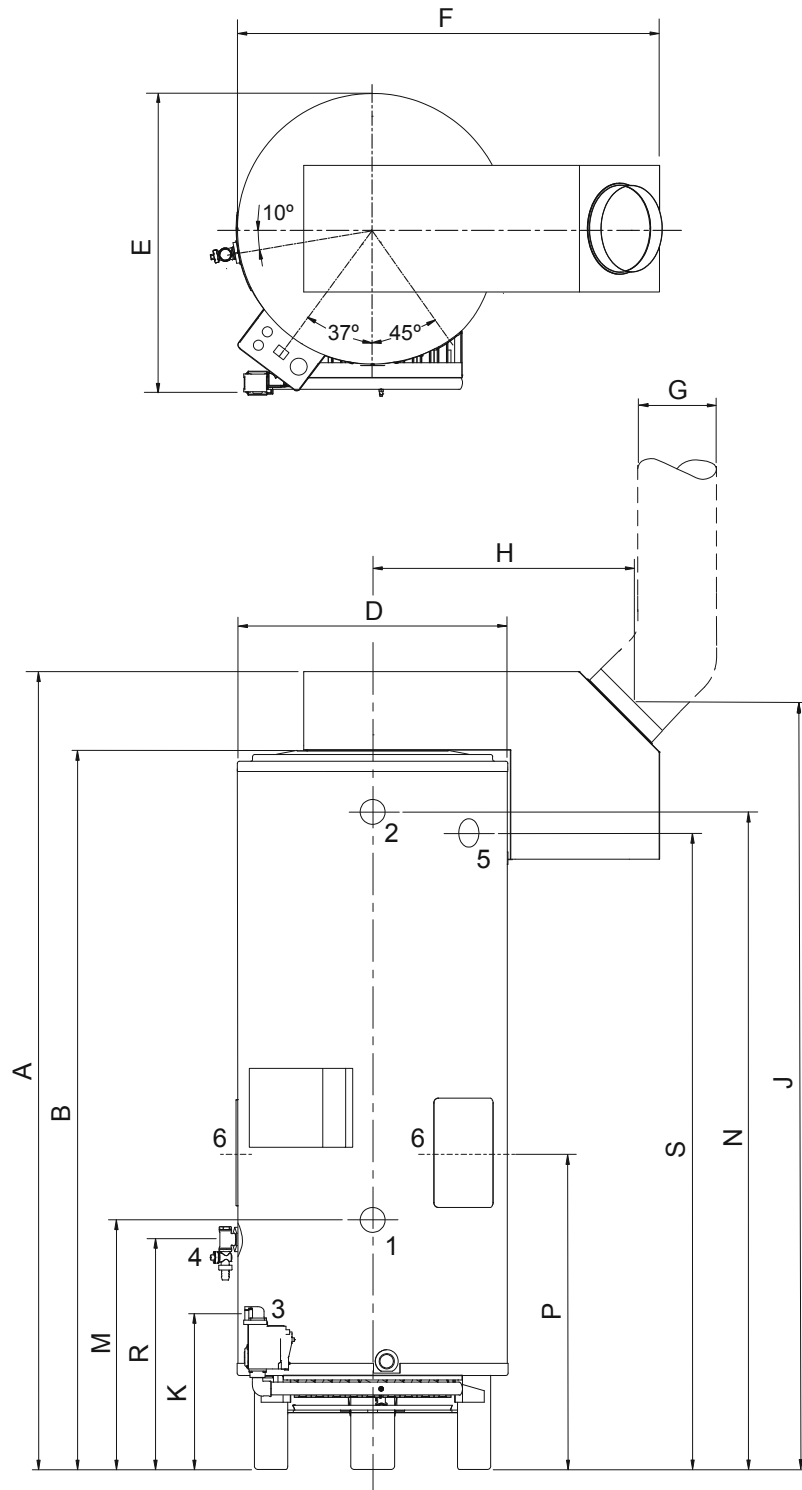
The appliance is supplied without accessories. Check the dimensions (3.4.1 "Dimensions of the appliance"), gas data (3.4.3 "Gas data") and other specifications (3.4.2 "General and electrical specifications") of any accessories you plan to use.

#### 3.4.1 Dimensions of the appliance

*Plan and elevation of the appliance*

*Legend*

See the table.



IMD-0365 R1

## Dimensions

Size	Description	Unit	ADMP 40	ADMP 50	ADMP 60	ADMP 80	ADMP 90	ADMP 115
A	Overall height	mm	1900	2100	1900	2100	2000	2085
B	Height of top of appliance	mm	1760	1960	1760	1960	1795	1870
D	Appliance diameter	mm	710	710	710	710	710	710
E	Depth	mm	800	800	800	800	800	800
F	Width	mm	1100	1100	1100	1100	1105	1105
G	Diameter of flue gas discharge	mm	150	150	180	180	225	225
H	Heart appliance / heart chimney flue	mm	660	660	660	660	675	675
J	Height of chimney flue	mm	1840	2040	1840	2040	1935	2010
K	Height of gas connection	mm	205	205	205	205	205	205
M	Height of cold water supply	mm	565	565	565	565	575	650
N	Height of hot water outlet	mm	1605	1810	1605	1810	1640	1715
P	Height of cleaning opening	mm	730	730	730	730	740	825
R	Height of drain valve connection	mm	500	515	500	515	525	600
S	Height of T&P valve connection	mm	1550	1760	1550	1760	1595	1660
1	Cold water supply connection (male)	-	R1 <sup>1</sup> / <sub>2</sub>	R1 <sup>1</sup> / <sub>2</sub>	R1 <sup>1</sup> / <sub>2</sub>	R1 <sup>1</sup> / <sub>2</sub>	R1 <sup>1</sup> / <sub>2</sub>	R1 <sup>1</sup> / <sub>2</sub>
2	Hot water outlet connection (female)	-	Rp1 <sup>1</sup> / <sub>2</sub>	Rp1 <sup>1</sup> / <sub>2</sub>	Rp1 <sup>1</sup> / <sub>2</sub>	Rp1 <sup>1</sup> / <sub>2</sub>	Rp1 <sup>1</sup> / <sub>2</sub>	Rp1 <sup>1</sup> / <sub>2</sub>
3	Gas control connection (female)	-	Rp <sup>3</sup> / <sub>4</sub>	Rp <sup>3</sup> / <sub>4</sub>	Rp <sup>3</sup> / <sub>4</sub>	Rp <sup>3</sup> / <sub>4</sub>	Rp <sup>3</sup> / <sub>4</sub>	Rp <sup>3</sup> / <sub>4</sub>
4	Drain valve connection (female)	-	Rp1 <sup>1</sup> / <sub>2</sub>	Rp1 <sup>1</sup> / <sub>2</sub>	Rp1 <sup>1</sup> / <sub>2</sub>	Rp1 <sup>1</sup> / <sub>2</sub>	Rp1 <sup>1</sup> / <sub>2</sub>	Rp1 <sup>1</sup> / <sub>2</sub>
5	T&P valve connection (internal)	-	1 - 11.5 NPT	1 - 11.5 NPT	1 - 11.5 NPT	1 - 11.5 NPT	Rp1 <sup>1</sup> / <sub>2</sub>	Rp1 <sup>1</sup> / <sub>2</sub>
6	Cleaning/inspection opening	-	Ø 100	Ø 100	Ø 100	Ø 100	Ø 100	Ø 100

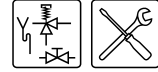
### 3.4.2 General and electrical specifications

Description	Unit	ADMP 40	ADMP 50	ADMP 60	ADMP 80	ADMP 90	ADMP 115
Volume	litres	309	357	298	335	278	253
Maximum operating pressure	bar	8	8	8	8	8	8
Maximum operating pressure, unvented	bar	5.5	5.5	5.5	5.5	5.5	5.5
Minimum operating pressure, unvented	bar	3.5	3.5	3.5	3.5	3.5	3.5
Empty weight	kg	195	221	209	238	244	270
Heating-up time $\Delta T = 45\text{ }^{\circ}\text{C}$	minutes	30	26	19	17	12	8
Number of anodes	-	2	2	2	3	3	4
Number of bar burners/orifices	-	3	4	5	7	7	9
Number of flue tubes/flue baffles	-	5	6	7	9	12	16
Electrical power consumption	W	30	30	30	30	30	30
Supply voltage (-15% +10% VAC)	volts	230	230	230	230	230	230
Mains frequency	Hz ( $\pm 1\text{Hz}$ )	50	50	50	50	50	50
IP class	-	30	30	30	30	30	30

Description	Unit	ADMP 40	ADMP 50	ADMP 60	ADMP 80	ADMP 90	ADMP 115
Load Profile	-	XXL	XXL	XXL	XXL	3XL	3XL
Energy Efficiency Class (Energy Label)	-	C	C	C	C	-	-
Energy Efficiency	%	48	51	40	40	46	44
Daily Electricity Consumption	kWh	0.008	0.005	0.004	0.002	0.002	0.002
Daily Fuel Consumption	kWh GCV	50.705	48.485	61.061	61.202	102.176	106.645
Mixed Water 40 °C (V40)	ltr.	1137	$\infty$	$\infty$	$\infty$	1014	$\infty$
Additional Load Profile	-	3XL	3XL	3XL	3XL	-	-
Energy Efficiency	%	58	59	51	51	-	-
Daily Electricity Consumption	kWh	0.014	0.009	0.007	0.004	-	-
Daily Fuel Consumption	kWh GCV	80.064	78.992	91.154	92.047	-	-
Mixed Water 40 °C (V40)	ltr.	530	721	651	971	-	-

### 3.4.3 Gas data

Description $\text{H}_2\text{H}_3+$	Unit	ADMP 40	ADMP 50	ADMP 60	ADMP 80	ADMP 90	ADMP 115
<b>Gas category 2H: General</b>							
Orifice diameter	mm	3.20	3.20	3.10	2.95	3.20	3.20
(1) = Blank plate (2) = Burner pressure regulator (3) = High-low control	1, 2 or 3	2	2	2	2	2	2
<b>G20 - 20 mbar</b>							
Nominal load (G.C.V.)	kW	42.4	56.5	66.4	82.5	98.3	126.6
Nominal capacity	kW	32.3	42.8	50.2	62.4	74.3	95.8
Supply pressure	mbar	20	20	20	20	20	20
Burner pressure	mbar	8.5	8.5	8.5	8.5	8.5	8.5
Gas consumption (*)	mbar	4.0	5.4	6.3	7.9	9.4	12.1
Emissions of Nitrogen Oxides ( $\text{NO}_2$ )	mg/kWh	240	235	235	229	283	311
<b>Gas category 3+: General</b>							
Orifice diameter	mm	1.70	1.70	1.70	1.50	1.70	1.70
(1) = Blank plate (2) = Burner pressure regulator (3) = High-low control	1, 2 or 3	1	1	1	1	1	1
<b>G30 - 30 mbar (butane)</b>							
Nominal load (G.C.V.)	kW	41.6	55.3	68.2	80.7	96.1	123.5
Nominal capacity	kW	32.6	42.8	52.8	62.6	74.5	95.8
Supply pressure	mbar	30	30	30	30	30	30
Burner pressure †)	mbar	-	-	-	-	-	-
Gas consumption (*)	kg/h	3.0	4.0	5.0	5.9	7.0	9.0
<b>G31 - 37 mbar (propane)</b>							
Nominal load (G.C.V.)	kW	38.4	51.1	63.3	77.7	89.6	113.0
Nominal capacity	kW	30.0	39.5	48.9	60.1	69.2	87.4
Supply pressure	mbar	37	37	37	37	37	37
Burner pressure †)	mbar	-	-	-	-	-	-
Gas consumption (*)	kg/h	2.7	3.7	4.5	5.6	6.4	8.1
(*) Based on 1013.25 mbar and 15 °C.							
†) If using a blank plate instead of a burner pressure regulator, it is assumed that the burner pressure is equal to the supply pressure. In practice, however, the burner pressure will be lower.							



### 3.5 Installation diagram

This figure shows the installation diagram. This diagram is used in the sections in which the actual connection process is described.

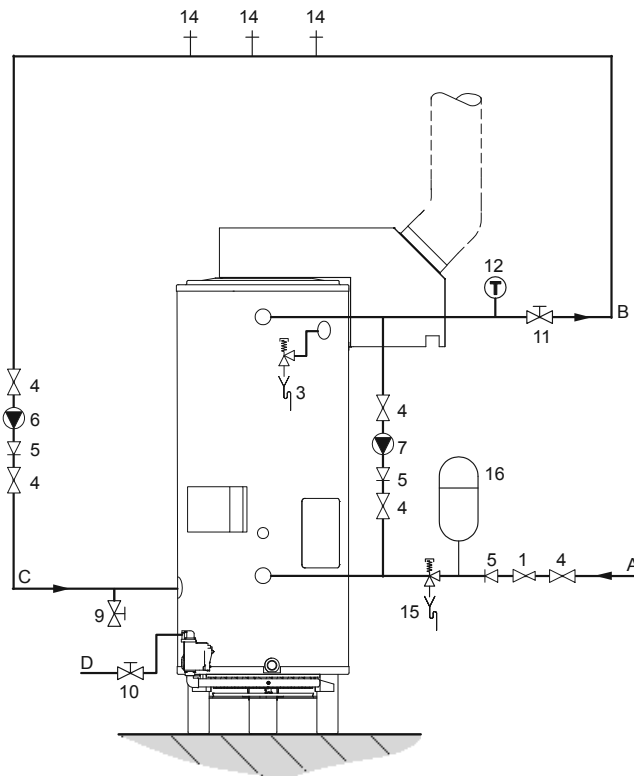
#### Installation diagram

#### Legend

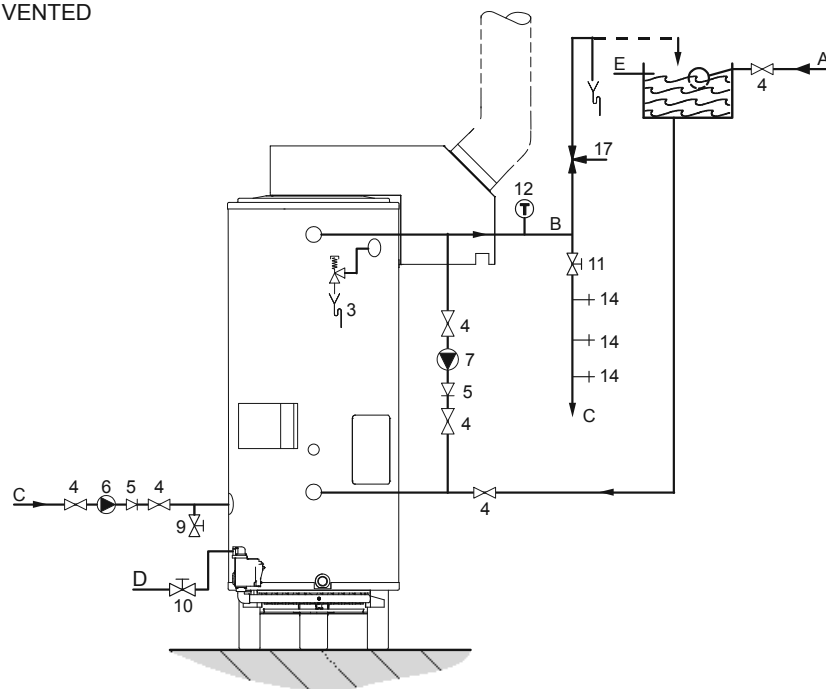
Only applicable numbers are mentioned.

1. pressure reducing valve (mandatory)
  3. T&P valve
  4. stop valve (recommended)
  5. non-return valve (mandatory)
  6. circulation pump (optional)
  7. top to bottom circulation pump (optional)
  9. drain valve
  10. manual gas valve (mandatory)
  11. service stop valve (mandatory)
  12. temperature gauge (recommended)
  14. hot water draw-off points
  15. expansion valve (mandatory)
  16. expansion vessel (mandatory)
  17. 3-way aeration valve (recommended)
  18. water tank
  19. float valve
- A. cold water supply  
 B. hot water supply  
 C. circulation pipe  
 D. gas supply  
 E. overflow pipe  
 H. overflow pipe

#### UNVENTED



#### VENTED



IMD-0505 R0



## 3.6 Water connections, Unvented

### Warning

The installation should be carried out by an authorised installation engineer, in compliance with general and local regulations (1.3 "Regulations").

#### 3.6.1 Cold water side

See (A) in the installation diagram (3.5 "Installation diagram").

1. Fit an approved stop valve (4) on the cold water side as required by applicable regulations (1.3 "Regulations").
2. The maximum working pressure of the appliance is 8 bar. Because the pressure in the water pipe at times can exceed 8 bar, you must fit an approved pressure-reducing valve (1).
3. Fit a non-return valve (5) and an expansion vessel (16).
4. Fit an expansion valve (15) and connect the overflow side to an open wastewater pipe.

#### 3.6.2 Recirculation pipe

You can install a top to bottom circulation pump to prevent water stacking in the boiler.

1. Optional: depending on the draw-off pattern, fit a recirculation pipe (Ø 22 mm), a stop valve (11) and a top to bottom circulation pump (7).
2. Fit a non-return valve (5).
3. Fit a stop valve (11).

#### 3.6.3 Hot water side

See (B) in the installation diagram (3.5 "Installation diagram").

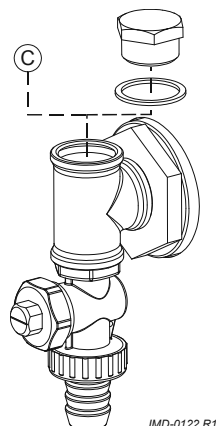
### Note

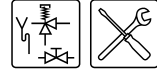
Insulating long hot water pipes will prevent unnecessary energy loss.

1. Optional: fit a temperature gauge (12) so you can check the temperature of the tap water.
2. Fit the T&P valve (3).
3. Fit a stop valve (11) in the hot water outlet pipe for servicing.

#### 3.6.4 Drain valve

1. Fit a drain valve (9) (Remark: The drain valve, as shown in the figure, can be ordered at your supplier).
2. If applicable, fit a circulation pipe (3.6.5 "Circulation pipe").  
If not, fit the blind threaded plug and gasket (C) supplied with the drain valve, as shown in the figure.





### 3.6.5 Circulation pipe

See (C) in the installation diagram (3.5 "Installation diagram").

If an immediate flow of hot water is required at draw-off points, a circulation pump can be installed. This improves comfort and reduces water wastage.

1. Fit a circulation pump (6) of the correct capacity for the length and resistance of the circulation system.
2. Fit a non-return valve (5) behind the circulation pump to guarantee the direction of circulation.
3. Fit two stop valves for service purposes (4).
4. Connect the circulation pipe to the T-piece at the drain valve (9) as shown in the drain valve figure (3.6.4 "Drain valve").

### 3.6.6 Water connections, Vented



#### Warning

The installation should be carried out by an authorised installation engineer, in compliance with general and local regulations (1.3 "Regulations").

#### Cold water side

See (A) in the installation diagram (3.5 "Installation diagram").

1. Fit an approved stop valve (4) on the cold water side between the cold water head tank (18) and the appliance, as required by regulations (1.3 "Regulations").

#### Recirculation pipe

You can install a top to bottom circulation pump to prevent water stacking in the boiler.

1. Optional: depending on the draw-off pattern, fit a recirculation pipe (Ø 22 mm), a stop valve (11) and a top to bottom circulation pump (7).
2. Fit a non-return valve (5).
3. Fit a stop valve (11).

#### Hot water side

See (B) in the installation diagram (3.5 "Installation diagram").



#### Note

Insulating long hot water pipes prevents unnecessary energy loss.

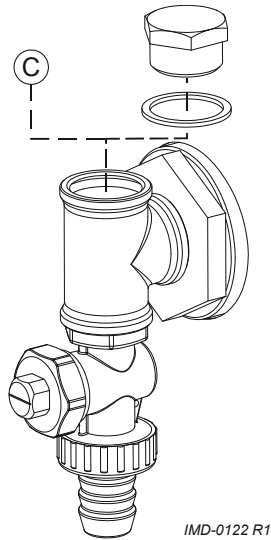
1. Fit the T&P valve (3).
2. Optional: fit a temperature gauge (12) so you can check the temperature of the tap water.
3. Fit a stop valve (4) in the hot water outlet pipe, for use when servicing.
4. If a circulation pipe is required, continue further by installing the circulation pipe (3.6.5 "Circulation pipe").





### Drain valve

1. Fit a drain valve (9). (Remark: The drain valve, as shown in the figure, can be ordered at your supplier).
2. If applicable, fit a circulation pipe (3.6.5 "Circulation pipe").  
If not, fit the blind threaded plug and gasket (C) supplied with the drain valve, as shown in the figure.



### Circulation pipe

See (C) in the installation diagram (3.5 "Installation diagram").

If an immediate flow of hot water is required at draw-off points, a circulation pump can be installed. This improves comfort and reduces water wastage.

1. Fit a circulation pump (6) of the correct capacity for the length and resistance of the circulation system.
2. Fit a non-return valve (5) behind the circulation pump to guarantee the direction of circulation.
3. Fit two stop valves for service purposes (4).
4. Connect the circulation pipe to the T-piece at the drain valve (9) as shown in the drain valve figure (3.6.4 "Drain valve").

## 3.7 Gas connection

### **Warning**

The installation should be carried out by an authorised installation engineer, in compliance with general and local regulations (1.3 "Regulations").

### **Caution**

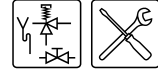
Make sure that the diameter and length of the gas supply pipe are large enough to supply sufficient capacity to the appliance.

See (D) in the installation diagram (3.5 "Installation diagram").

1. Fit a manual gas valve (10) in the gas supply pipe.
2. Blow the gas pipe clean before use.
3. Close the manual gas valve.
4. Fit the gas supply pipe to the gas control.

### **Warning**

After fitting, check for leaks.



### 3.8 Electrical connection

**Warning**  
The installation should be carried out by an authorised installation engineer, in compliance with general and local regulations (1.3 "Regulations").

#### 3.8.1 Preparations

**Caution**  
The appliance is phase-sensitive. It is **absolutely essential** to connect the mains live (L) to the live of the appliance, and the mains neutral (N) to the neutral of the appliance.

**Caution**  
There must also be **no potential difference** between neutral (N) and earth ( $\perp$ ). If this is the case, then an isolating transformer must be applied in the supply circuit.

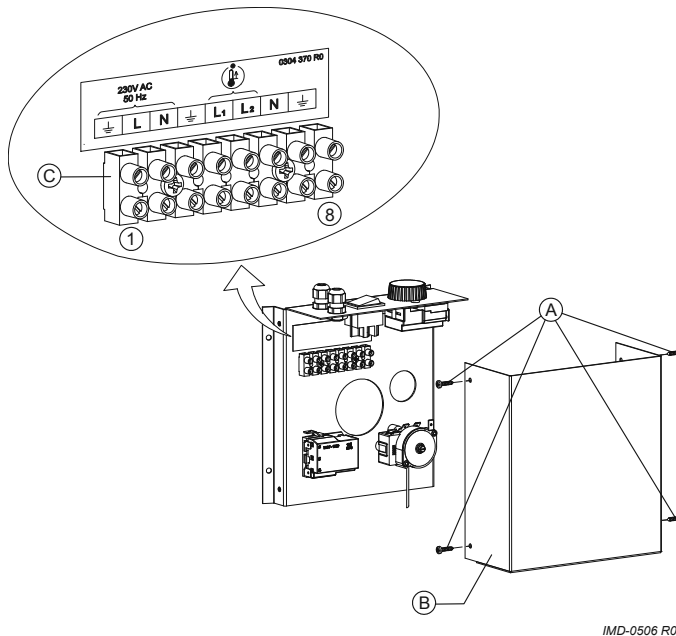
For more information or to order an isolating transformer, please contact A.O. Smith Water Products Company.

The figure shows a view of the electrical connector block, and the table shows the appropriate connections.

*Connector block*

#### Legend

- A. screws
- B. protective cap
- C. connector block



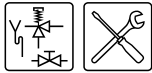
IMD-0506 R0

1. In preparation, first remove the protective cover from the control column:
2. Undo the 4 screws (A).
3. Remove the protective cover (B) from the electrical part.  
The connector block (C) is now visible.

**Note**  
Please consult (14.2 "Electrical diagram") the appropriate electrical diagram for details of the connections of the electrical components.

*Terminal block*

Mains power				Flue gas thermostat		Unused	
$\perp$	L <sub>1</sub>	N	$\perp$	L <sub>1</sub>	L <sub>2</sub>	N	$\perp$
1	2	3	4	5	6	7	8



### 3.8.2 Connecting the mains power

The appliance is supplied without a power cable and isolator.

---

#### Note

In order to receive electrical power, the appliance has to be connected to the mains power by means of a permanent electrical connection. A double-pole isolator with a contact gap of at least 3 mm must be fitted between this permanent connection and the appliance. The power cable must have cores of at least 3 x 1.0 mm<sup>2</sup>.

---

#### Warning

Leave the appliance isolated until you are ready to start it up.

---

1. Feed the power cable through the metric strain relief to the top side of the control column.
  2. Connect the earth ( $\perp$ ), live (L<sub>1</sub>) and neutral (N) of the power cable to terminals 1 through 3 in the connector block as stated in the table.
  3. Turn the strain relief tight to clamp the lead.
  4. If you do not need to make any more connections, fit the protective cover onto the control column.
  5. Connect the power cable to the isolator.
- 

### 3.9 Chimney flue

#### Warning

The installation should be carried out by an authorised installation engineer, in compliance with general and local regulations (1.3 "Regulations").

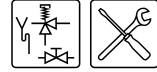
---

#### 3.9.1 Introduction

The separately-supplied draught diverter must be used when connecting the appliance to the chimney flue. The flue gas sensor supplied as standard with the appliance must be fitted in the draught diverter.

#### 3.9.2 Fitting the draught diverter

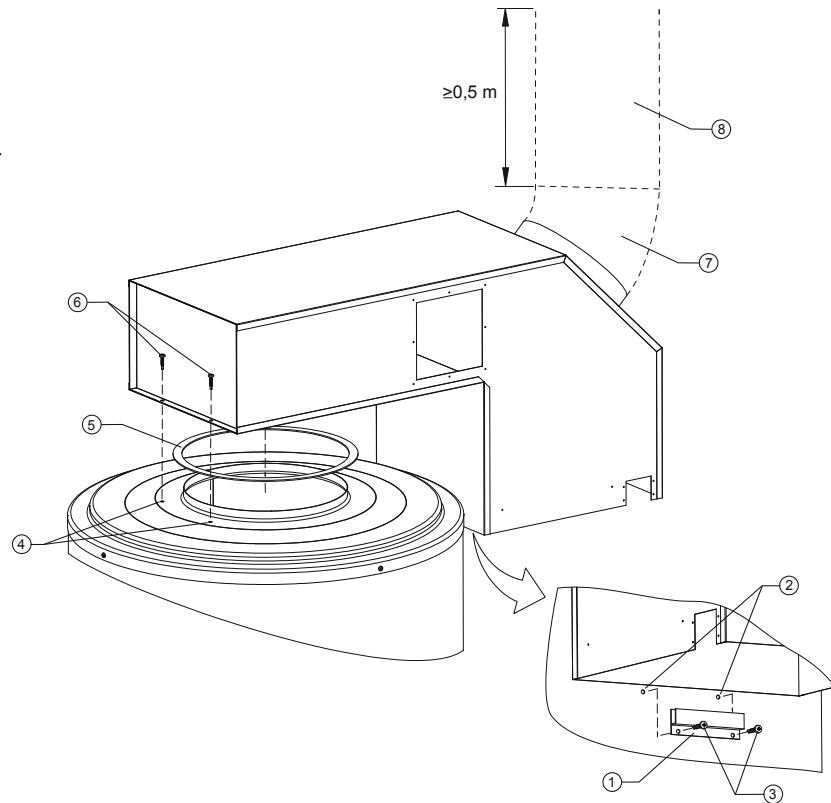
The draught diverter can be positioned according to preference. Once it is positioned, the draught diverter is secured to the top of the appliance using two screws (6), while it is also supported on a mounting bracket (1) attached to the side of the appliance. The mounting bracket parts can be found in the plastic bag attached behind the control column. The assembly procedure is as follows:



### Installing the draught diverter

#### Legend

- 1 support bracket
- 2 holes to attach support bracket
- 3 screws for support bracket
- 4 holes to attach draught diverter
- 5 sealing ring
- 6 screws for draught diverter
- 7 45° bend
- 8 chimney pipe



IMD-0123 R1

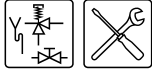
1. Take the mounting bracket out of the bag.
2. Fit the mounting bracket (1) in such a way that it properly supports the draught diverter.
3. Drill two holes (2) (3.2 mm bit) for the mounting bracket screws.
4. Screw the mounting bracket tightly to the appliance.
5. Place the draught diverter in the mounting bracket, and mark the centres for the two holes (4) to be drilled in the top side of the appliance. Remove the draught diverter from the appliance.
6. Now drill two holes (4) into the top of the appliance (3.2 mm bit).
7. Place the sealing ring (5) on the appliance.
8. Screw the draught diverter tightly in place.
9. Fit:
  - a 45° bend (7) onto the outlet of the draught diverter, followed by:
  - a corrosion-resistant vertical chimney pipe (8) of at least 0.5 metres in length,
  - the remaining flue components.

#### Note

Use flue gas discharge materials that comply with the regulations ([1.3 "Regulations"](#)).

#### Note

Make sure that the chimney discharges into an area approved for this type of appliance.



### 3.9.3 Flue gas thermostat assembly

At the top of the control column there is a plastic bag containing the flue gas sensor plus the associated fastenings. The cable from the sensor has already been connected to the control column. The sensor must be fitted in the cut-away of the draught diverter.

---

#### **Warning**

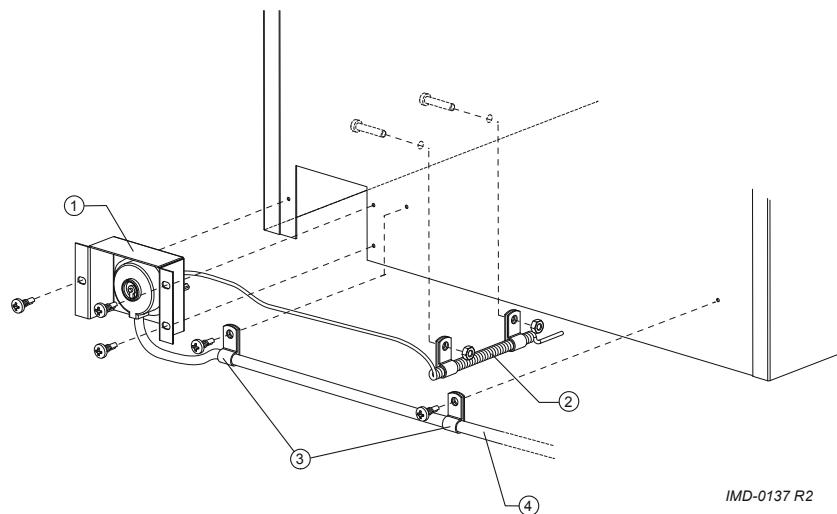
If the sensor is not (or is incorrectly) fitted/connected, the flue gas discharge will not be protected. An incorrectly fitted chimney can cause flue gases to backflow into the boiler room.

---

#### *Flue gas thermostat*

#### *Legend*

1. bracket
2. sensor
3. cable
4. attachment brackets
5. cut-away
6. sensor fastenings



Fit the sensor as follows:

1. Take the bracket (1) and sensor (2) from the packaging.
2. Place the cable (3) for it along the appliance.

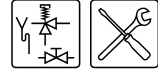
---

#### **Warning**

NEVER place this cable across the top of the appliance. This could cause it to burn.

---

3. Fix the cable alongside the appliance using the fittings supplied (4).
4. Attach the bracket with the sensor into the cut-away on the draught diverter.
5. Attach the sensor using the fixtures provided onto the bottom of the draught diverter. The sensor should protrude half way (6) out of the draught diverter.



### 3.10 Checking the supply pressure and burner pressure

**Note** Before starting the appliance and/or checking the supply pressure and burner pressure, you must fill (5 "Filling") the appliance.

**Caution** Before starting up for the first time or after conversion, you must always check the supply pressure and burner pressure.

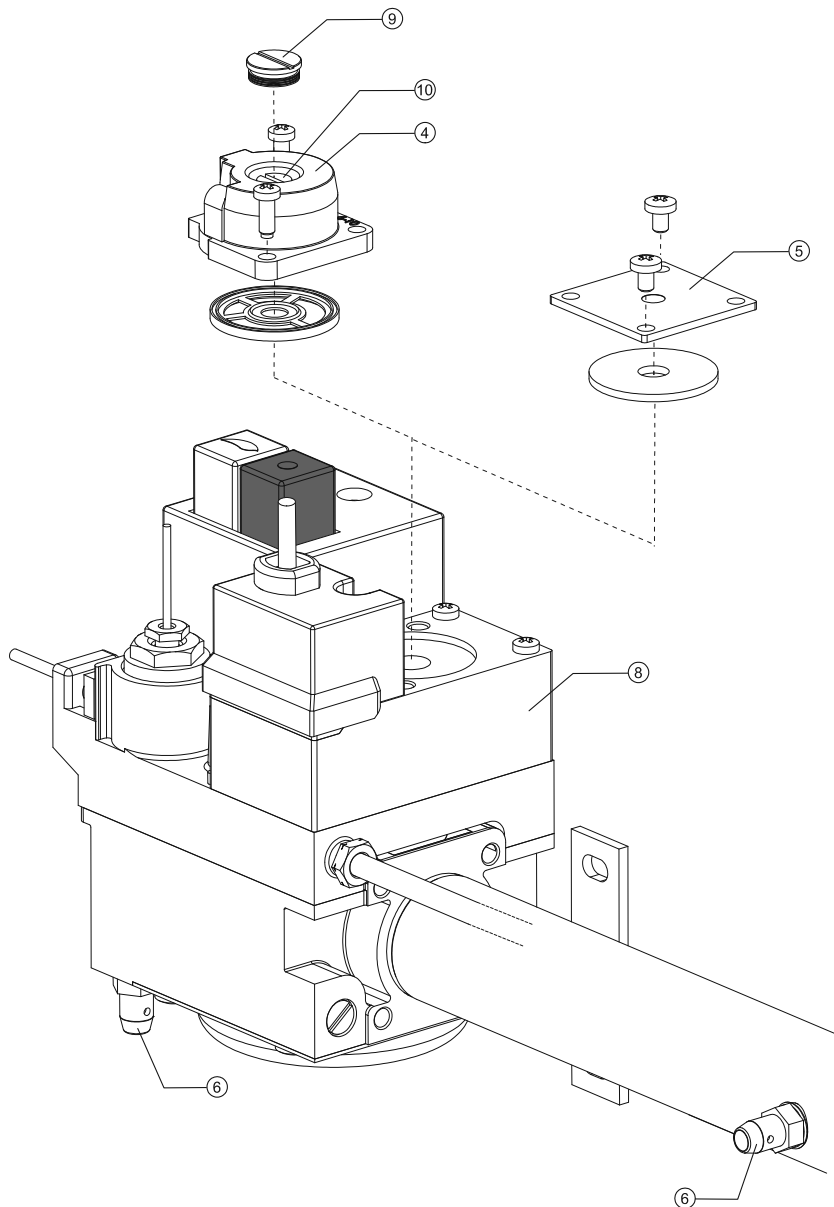
**Note** The easiest way to check the gas pressures is by using two pressure gauges. This procedure assumes that these two gauges are available.

#### Legend

Only applicable numbers are mentioned.

- 4. burner pressure controller
- 5. blank plate
- 6. supply pressure nipple
- 7. gas control
- 8. manifold test nipple
- 9. sealing screw
- 10. burner pressure adjustment screw

#### Gas control for ADMP



IMD-0197 R1



### 3.10.1 Reading off and adjusting

1. Isolate the appliance from the mains power ([10.3 "Isolating the appliance from the mains"](#)).
2. To check the supply pressure, test nipple (6) is used. The manifold test nipple (8) is used for measuring the burner pressure. Sealing screws are located inside the test nipples. Loosen both sealing screws by a few turns. Do not completely loosen them; they can be difficult to retighten.
3. Connect a pressure gauge to the manifold test nipple (8).
4. Open the gas supply and bleed the air from the mains gas supply via test nipple (6).
5. Connect a pressure gauge to the manifold test nipple (6) when gas starts to flow from this nipple.
6. Switch on the power to the appliance using the isolator on the appliance.
7. Set the control thermostat to the maximum temperature and start the appliance running by setting the ON/OFF switch to position I.
8. The heating cycle will start, and after a short time the burner tray will ignite.
9. After the burner tray has ignited, wait approximately 1 minute before reading the dynamic pressures.

---

#### Note

If the burner pressure is not correct and the appliance is fitted with a blank plate or high-low control, you will **not be able to adjust** the pressure. In this case, consult your installation engineer or supplier. If the appliance is indeed fitted with a burner pressure regulator, the pressure can be adjusted ([3.10.1 "Reading off and adjusting"](#)).

---

10. Adjust the burner pressure by turning the adjusting screw (10), depending on the correction required:
  - Adjustment screw anticlockwise: burner pressure decreases.
  - Adjustment screw clockwise: burner pressure increases.
11. Cover the opening of the adjusting screw and check the burner pressure against the value given in the gas data table ([3.4.3 "Gas data"](#)).
12. If the pressure reading is not correct, repeat the burner pressure adjustment until the correct pressure is reached.
13. Fit the cap (9) back on the burner pressure regulator.
14. Shut off the gas supply.
15. Disconnect the two pressure gauges and retighten the sealing screws in the test nipples.

---

#### Note

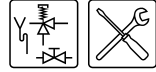
Before starting the appliance up, take time to fill in the warranty card supplied with the appliance. This enables us to guarantee the quality of our systems and further enhance our warranty procedure.

---

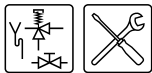
16. Please return this card as soon as possible. Your customer will then receive a warranty certificate with our warranty conditions.

# 3

## Installation







# 4 Conversion to a different gas category

## **Caution**

The conversion may only be carried out by an authorised installation engineer.

If the appliance must operate on a family of gases (LP gas or natural gas) or other gas category than that for which the appliance has been set at the factory, the appliance will have to be adapted using a special conversion kit.

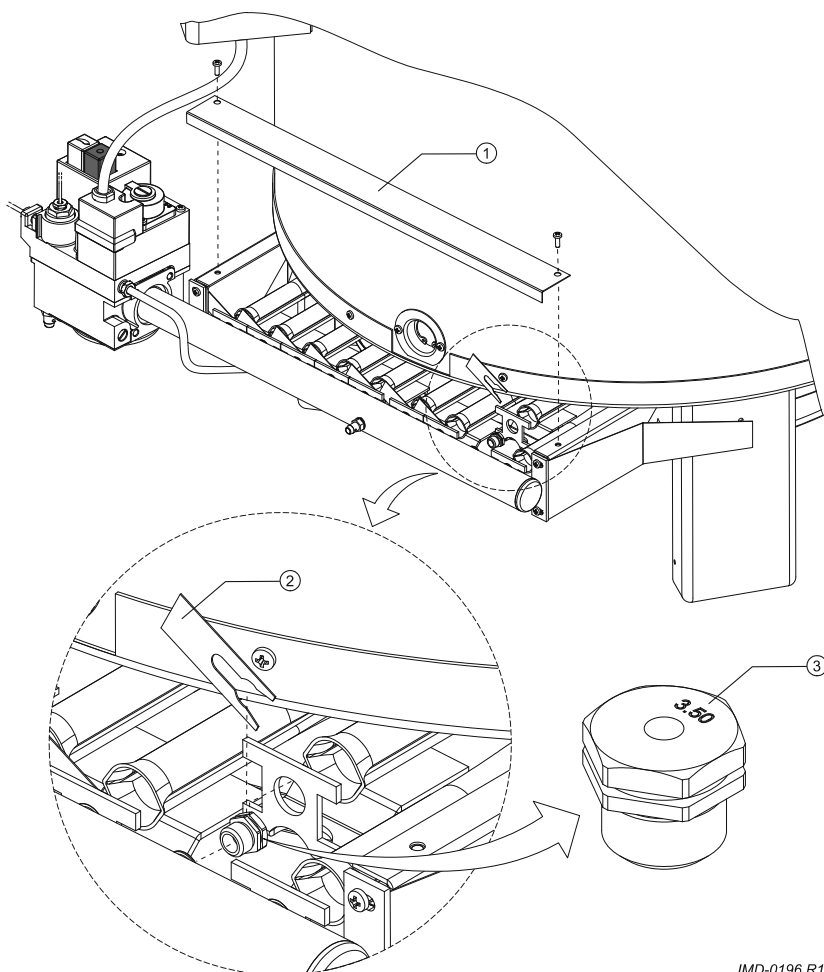
## **Caution**

You must check the supply pressure and burner pressure once the conversion is complete.

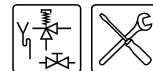
### *Exchanging orifices*

#### *Legend*

1. cover plate
2. locking strips
3. orifice with stamped figures



IMD-0196 R1



#### 4.1 Conversion to a different gas category

1. Isolate the appliance from the power supply ([10.3 "Isolating the appliance from the mains"](#)).
2. Shut off the gas supply.



#### Caution

The burner may be hot.

3. Unscrew the cover plate (1) from the burner support.
4. Use a suitable tool to remove the retaining strips (2). Note that the retaining strips have very sharp edges. Withdraw the retaining strips straight upwards.



#### Note

The radiation shield / condensation tray can be temporarily loosened to simplify disassembly of the burner.

5. Remove the burners one by one from their brackets at the front. To do this, you first move them away from you and then downwards. The orifices will now be accessible
6. Remove the orifices.
7. Select and fit the correct orifices from the conversion kit, based on the gas data table ([3.4.3 "Gas data"](#)). The orifice diameter is stamped on the orifice itself, see (3).
8. Re-fit the burners back in their original position.
9. Re-fit the retaining strips.
10. If the radiation shield / condensation tray was loosened, re-fasten it.
11. Check whether there is a burner pressure regulator (1) attached to the gas control, or simply a blank plate (5).



#### Note

If the supply pressure for a gas category is the same as the burner pressure (see the gas data table ([3.4.3 "Gas data"](#))) then the gas control must be fitted with a blank plate with cork gasket. A burner pressure that deviates in comparison to the supply pressure requires the use of a burner pressure regulator with rubber gasket. Each conversion kit contains all the necessary components.

12. If the blank plate or burner pressure regulator need to be replaced:
  - If necessary, remove the blank plate or burner pressure regulator (5) or burner pressure regulator (1).
  - If necessary, fit the blank plate or burner pressure regulator supplied with the conversion kit.
13. Check the supply pressure and burner pressure ([3.10 "Checking the supply pressure and burner pressure"](#)).
14. Remove the sticker showing the new gas category from the conversion kit, and attach it below the appliance's rating plate. This clearly indicates that the appliance may no longer be run on the gas for which it was originally supplied.
15. Start the appliance ([9 "Starting and running"](#)).

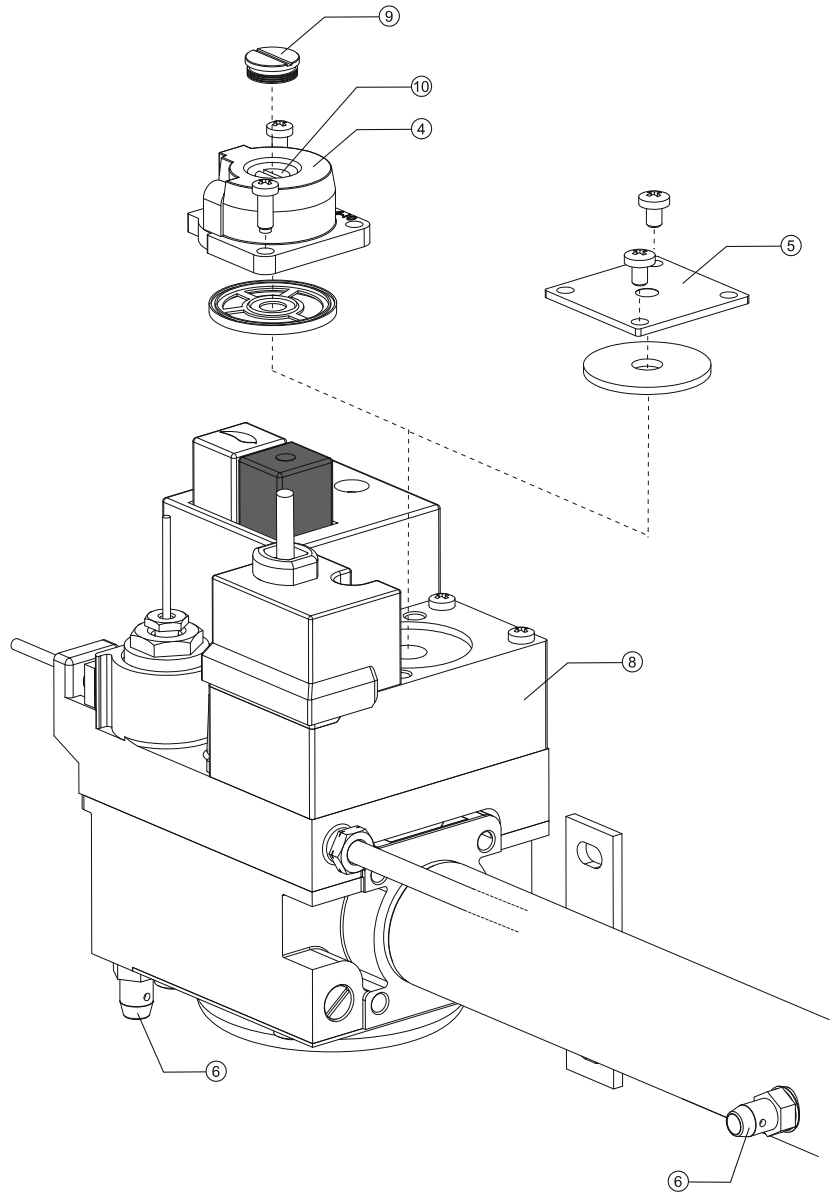


**Legend**

Only applicable numbers are mentioned.

- 4. burner pressure controller
- 5. blank plate
- 6. supply pressure nipple
- 7. gas control
- 8. manifold test nipple
- 9. sealing screw
- 10. burner pressure adjustment screw

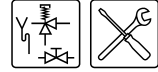
**Gas control for ADMP**

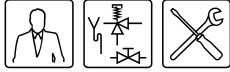


IMD-0197 R1

# 4

## Conversion to a different gas category





# 5 Filling

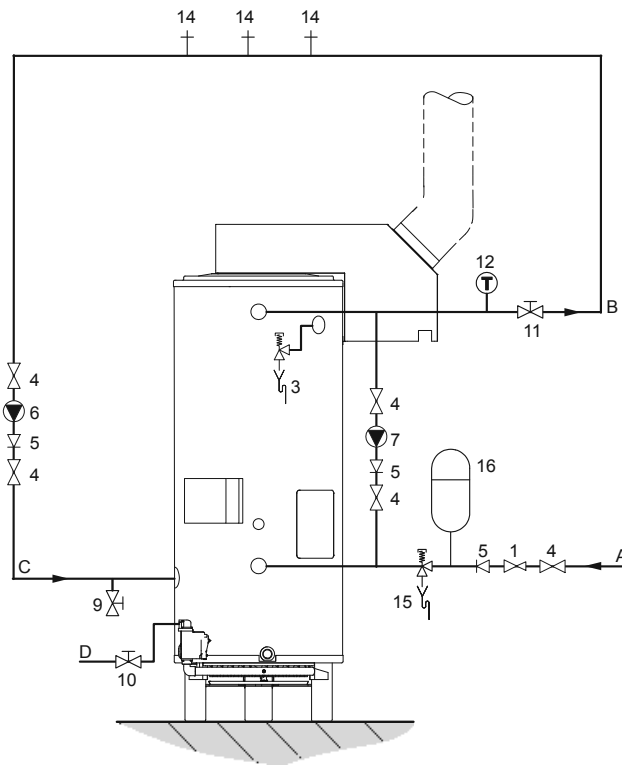
Installation diagram

**Legend**

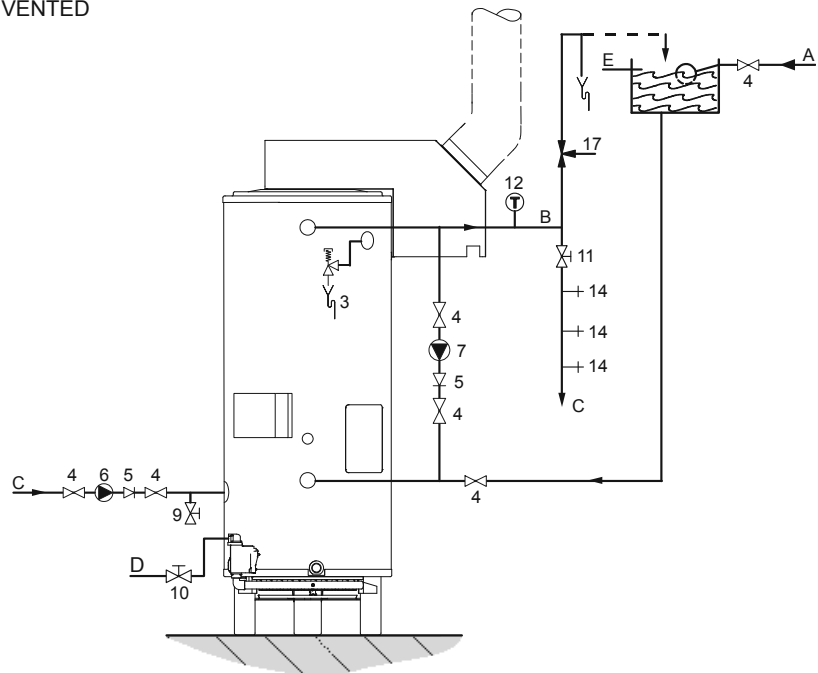
Only applicable numbers are mentioned.

- 1. pressure reducing valve (mandatory)
- 3. T&P valve
- 4. stop valve (recommended)
- 5. non-return valve (mandatory)
- 6. circulation pump (optional)
- 7. top to bottom circulation pump (optional)
- 9. drain valve
- 10. manual gas valve (mandatory)
- 11. service stop valve (mandatory)
- 12. temperature gauge (recommended)
- 14. hot water draw-off points
- 15. expansion valve (mandatory)
- 16. expansion vessel (mandatory)
- 17. 3-way aeration valve (recommended)
- 18. water tank
- 19. float valve
- A. cold water supply
- B. hot water supply
- C. circulation pipe
- D. gas supply
- E. overflow pipe
- H. overflow pipe

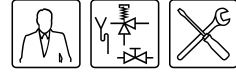
UNVENTED



VENTED



IMD-0505 R0



### 5.1 Filling unvented installations

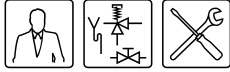
To fill the appliance, proceed as follows:

1. Open the stop valve (11) in the hot water pipe and, if present, the stop valves (4) for the circulation pump (6).
2. Close the drain valve (9).
3. Open the nearest hot water draw-off point (14).
4. Open the stop valve (4) on the cold water side (A) so that cold water flows into the appliance.
5. Completely fill the appliance. When a full water jet flows from the nearest draw-off point, the appliance is full.
6. Bleed the entire installation of air, for example by opening all draw-off points.
7. The appliance is now under water supply pressure. There should be no water coming out of the expansion valve (15), nor the T&P valve (3). If this does happen, the cause might be:
  - The water supply pressure is greater than the specified 8 bar. Rectify this by fitting a pressure reducing valve (1).
  - The expansion valve in the protected cold supply setup is defective or incorrectly fitted.

### 5.2 Filling vented installations

To fill the appliance, proceed as follows:

1. Open the stop valve (11) in the hot water pipe and, if present, the stop valves (4) for the circulation pump (6).
2. Close the drain valve (9).
3. Open the nearest hot water draw-off point (14).
4. Open the stop valve (4) on the cold water side (A) so that cold water flows into the appliance.
5. Completely fill the appliance. When a full water jet flows from the nearest draw-off point, the appliance is full.
6. Bleed the entire installation of air, for example by opening all draw-off points.
7. The appliance is now under water supply pressure. There should be no water coming out of the T&P valve (3). If this does happen, the T&P valve might be defective or incorrectly fitted.



# 6 Draining

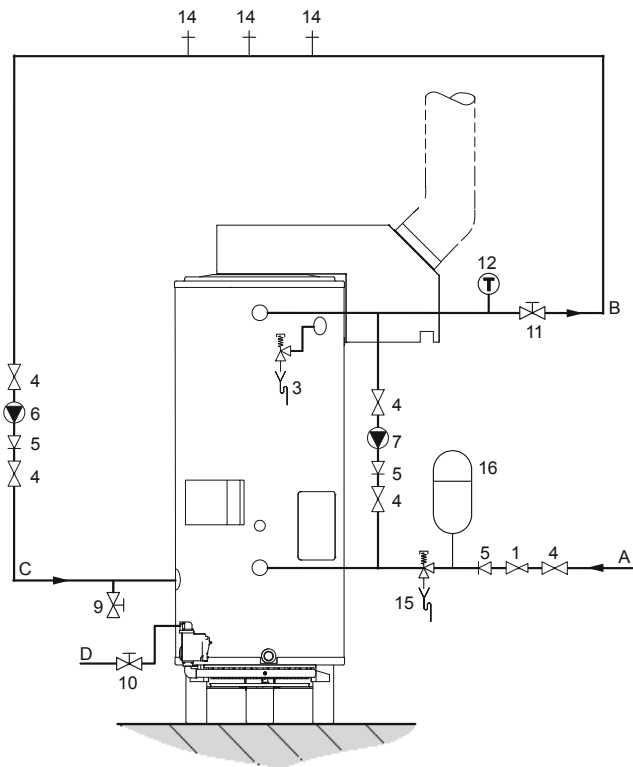
## Installation diagram

### Legend

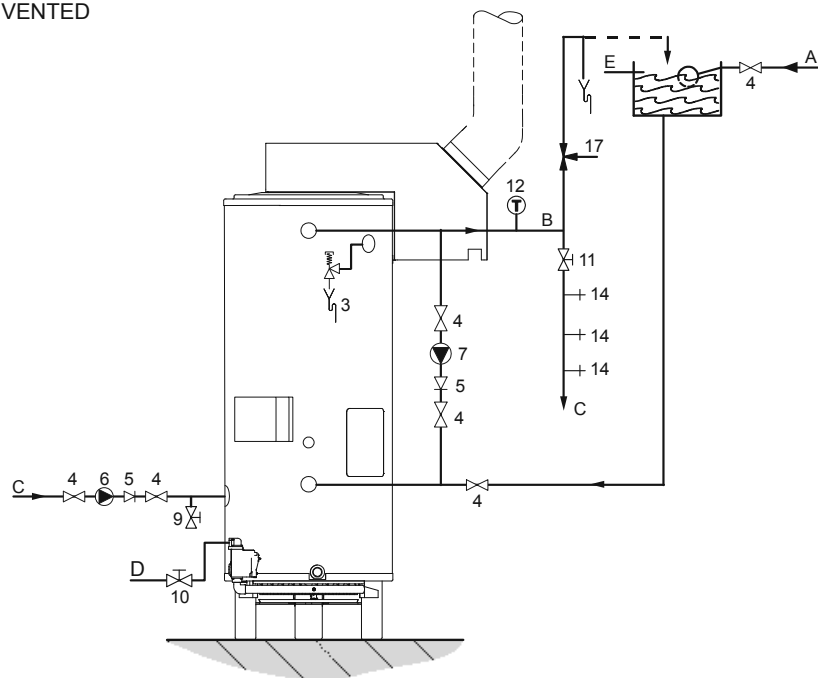
Only applicable numbers are mentioned.

1. pressure reducing valve (mandatory)
  3. T&P valve
  4. stop valve (recommended)
  5. non-return valve (mandatory)
  6. circulation pump (optional)
  7. top to bottom circulation pump (optional)
  9. drain valve
  10. manual gas valve (mandatory)
  11. service stop valve (mandatory)
  12. temperature gauge (recommended)
  14. hot water draw-off points
  15. expansion valve (mandatory)
  16. expansion vessel (mandatory)
  17. 3-way aeration valve (recommended)
  18. water tank
  19. float valve
- A. cold water supply  
 B. hot water supply  
 C. circulation pipe  
 D. gas supply  
 E. overflow pipe  
 H. overflow pipe

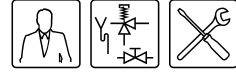
UNVENTED



VENTED



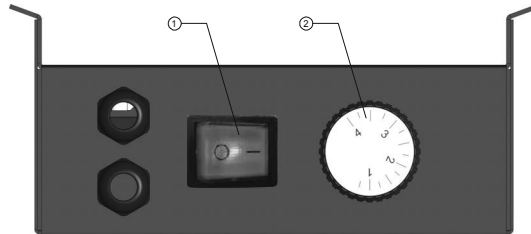
IMD-0505 R0



### 6.1 Draining unvented installations

Some service activities require the appliance to be drained. The procedure is as follows:

1. Shut down the appliance by setting the ON/OFF switch on the control panel to **position 0**.



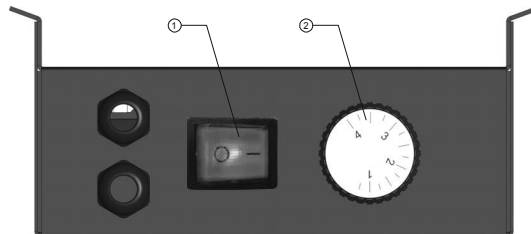
IMD-0507 R0

2. Isolate the water heater from the power supply by putting the isolator between the appliance and the mains power supply to position 0.
3. Shut off the gas supply (10).
4. Close the stop valve (11) in the hot water pipe.
5. Close the supply valve of the cold water supply (A).
6. Open the drain valve (9).
7. Bleed the appliance (or installation) so that it drains completely.

### 6.2 Draining vented installations

Some service activities require the appliance to be drained. The procedure is as follows:

1. Shut down the appliance by setting the ON/OFF switch on the control panel to **position 0**.



IMD-0507 R0

2. Isolate the water heater from the power supply by putting the isolator between the appliance and the mains power supply to position 0.
3. Shut off the gas supply (10).
4. Close the stop valve (11) in the hot water pipe.
5. Close the stop valve (4) between the cold water head tank and the cold water inlet.
6. Open the drain valve (9).
7. Bleed the appliance (or installation) so that it drains completely.





# 7 The control panel

## 7.1 Introduction

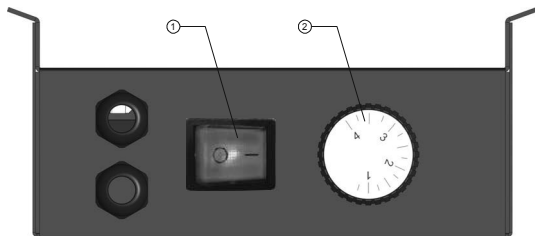
Topics covered in this chapter, in sequence:

- [Control panel](#);
- [On/off switch](#);
- [Control thermostat](#);
- [Control thermostat](#).

## 7.2 Control panel

This figure shows the control panel.

*The control panel*



IMD-0507 R0

The control panel comprises:

- an ON/OFF switch (with positions I/0);
- a control thermostat with rotary knob.

## 7.3 Control thermostat

Use the rotary knob of the control thermostat to set the desired water temperature between  $\pm 40\text{ }^{\circ}\text{C}$  and  $\pm 70\text{ }^{\circ}\text{C}$ . The range is continuous and is labeled 1 through 4. The table shows the temperatures corresponding to the numbers on the knob.

*Temperature settings*

Position	Temperature
1	$\pm 40\text{ }^{\circ}\text{C}$
2	$\pm 50\text{ }^{\circ}\text{C}$
3	$\pm 60\text{ }^{\circ}\text{C}$
4	$\pm 70\text{ }^{\circ}\text{C}$

## 7.4 On/off switch

You use the on/off switch to set the appliance in:

- ON mode (position I);
- OFF mode (position 0).

The appliance remains live, even when in the OFF mode. This ensures that the frost protection remains activated.

### Note

To isolate the appliance electrically, you must use the isolator between the appliance and the mains power supply.

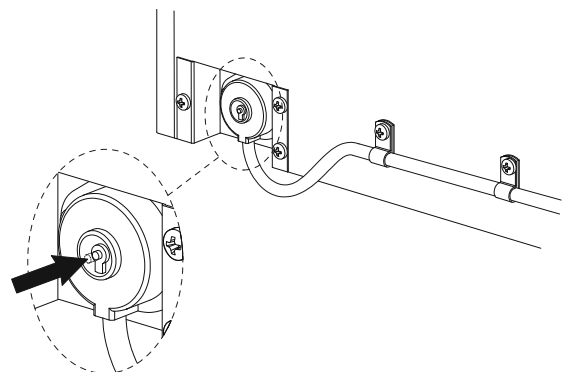
## 7.5 Flue gas thermostat reset button

A malfunction in the flue gas discharge, e.g. a blockage in the chimney, can lead to the flue gas thermostat locking out. This state is evident when the push button on the flue gas thermostat has been activated (refer to the figure). Once the cause has been removed, and the sensor has cooled down sufficiently, press this push button to reset (if the sensor is not sufficiently cooled down, the flue gas thermostat will immediately lock out again). The appliance will then automatically start up again, if there is demand. If this is not the case, please consult the error condition summary (11 "Troubleshooting").

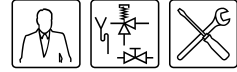
### Note

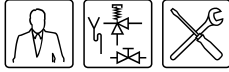
The draught diverter may be hot.

*Flue gas thermostat reset button*



IMD-0140 R2





# 8 Status of the appliance

## 8.1 Introduction

Topics covered in this chapter, in sequence:

- [Operating modes](#);
- [Error conditions](#).

## 8.2 Operating modes

When running, the appliance has three basic operating modes, namely:

### • ISOLATED

In this mode the appliance is off and all components are electrically dead.

- The isolator (switch between the appliance and the power supply) is turned off.
- On the control panel, the on/off switch is at **position 0**.

### • OFF

In this mode, the frost protection is activated.

- The isolator is set to position I.
- On the control panel, the on/off switch is at **position 0**.

### • ON

In this mode the appliance continuously fulfils demand.

On the control panel:

- the on/off switch is in **position I**.
- The water temperature can be set using the rotary button on the control thermostat ([7.3 "Control thermostat"](#)).

## 8.3 Error conditions

If the appliance has an error, heat demand will be (temporarily) ignored. There are various types of errors, divided into three groups:

### • Gas control lockout errors

In this case the gas control's safety valve is closed, as a result of which the pilot flame is extinguished. Once this error has been rectified, the pilot flame must be re-lit ([9.2 "Starting the appliance"](#)).

### • Blocking errors

In this case the gas control's main valve is closed. Despite a possible demand, combustion is stopped although the pilot flame remains ignited. These conditions disappear automatically once the cause of the error has been eliminated. The appliance then starts running again spontaneously.

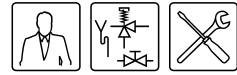
### • Lockout error from the flue gas thermostat

This error condition has much the same characteristics as a 'Blocking error'. The difference here is that the lockout (push button) for the flue gas thermostat in the draught diverter is activated ([7.3 "Control thermostat"](#)). After removing the cause, the push button must be pressed to re-start the appliance.

The cause of the error cannot be seen on the control panel. For a detailed overview of error conditions, please refer to the 'Errors ([11 "Troubleshooting"](#))'.

If you as an end user come across the appliance when it is in an error status, you can attempt to start the device up ([9.2 "Starting the appliance"](#)).

However, if the error returns or occurs several times in a short time, you must contact your service and maintenance engineer.





# 9 Starting and running

## 9.1 Introduction

Topics covered in this chapter, in sequence:

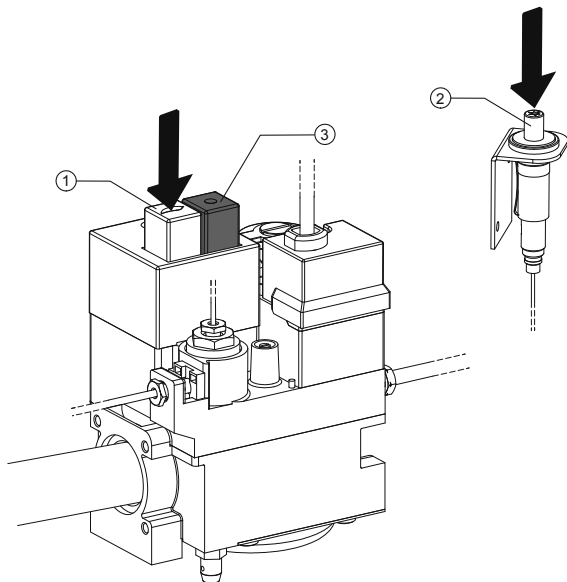
- [Starting the appliance](#);
- [The appliance's heating cycle](#).

## 9.2 Starting the appliance

Start the appliance as follows:

1. Fill the appliance ([5 "Filling"](#)).
2. Open ([3.5 "Installation diagram"](#)) the manual gas valve.
3. Switch on the power to the appliance using the isolator between the appliance and the power supply.
4. Begin the ignition procedure by pressing and holding the white button (1) on the gas control while repeatedly pressing the piezo igniter (2) until the pilot flame ignites. See the figure. The pilot flame can be seen through the inspection window above the burner tray.

*Gas control*



IMD-0195 R1

5. Keep the white button pressed in for about 30 seconds before carefully releasing it. The pilot flame should now stay lit.
6. Set the appliance in the "ON" mode by setting the on/off switch on the control panel to position I.
7. Using the control thermostat ([7.3 "Control thermostat"](#)), set the desired water temperature.

If there is a heat demand, the appliance will run through the heating cycle ([9.3 "The appliance's heating cycle"](#)).

### Warning

If the pilot flame goes out during the heating cycle or ignition procedure, you must wait 5 minutes before repeating the ignition procedure.

## 9.3 The appliance's heating cycle

The appliance's heating cycle is activated when the measured water temperature ( $T_{\text{water}}$ ) falls below the threshold value ( $T_{\text{set}}$ ).  $T_{\text{set}}$  can be adjusted using the control thermostat, for example position 3 ( $\pm 60$  °C).

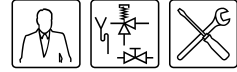
The heating cycle runs successively through the following states:

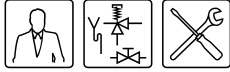
1. HEAT DEMAND;
2. IGNITION;
3. RUNNING.

The complete cycle is explained in the example set out below.

1. The control thermostat sensor measures the water temperature ( $T_{\text{water}}$ ). If  $T_{\text{water}}$  drops below the set temperature ( $T_{\text{set}}$ ), there is demand and the control thermostat will close. This will cause the gas control to open.
2. Once the gas control is open, the pilot burner will ignite the gas flow.
3. The appliance is now running. This means that actual heating has started. When the water reaches the set temperature, the demand ceases. The gas control closes and the burner tray is extinguished (the pilot flame stays lit).
4. The appliance is now said to be in an idle state, waiting until  $T_{\text{water}}$  once again falls below  $T_{\text{set}}$ .

With any subsequent heat demand, the heating cycle will resume from step 1.





# 10 Shutting down

## 10.1 Introduction

You can:

- Shutting the appliance down for a brief period ("OFF" mode);
- Isolating the appliance from the mains;
- Shutting the appliance down for a long period;
- Disposal.

## 10.2 Shutting the appliance down for a brief period ("OFF" mode)

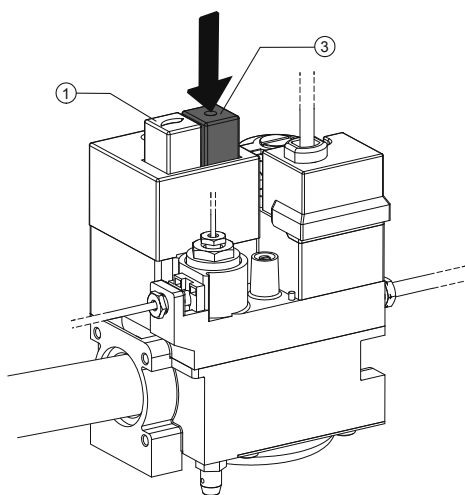
To shut down the appliance for a brief period, you can set the appliance in 'OFF mode'. Activate frost protection by switching the on/off switch on the control panel to the 0 position. The pilot flame will remain on.

## 10.3 Isolating the appliance from the mains

The appliance should only be isolated from mains power in the correct way. The correct procedure is as follows:

1. Shut down the appliance by setting the ON/OFF switch to position 0.
2. Isolate the water heater from the power supply by putting the isolator between the appliance and the mains power supply to position 0.
3. The pilot flame will remain on, but you can extinguish it if required by pressing the red button (3) on the gas control (see the figure).

*Gas control*



IMD-0516 R0



### Note

The "OFF" and "Isolated" operating modes are advisable only if there is no risk of frost. If frost can be expected, you will need to drain the appliance, see Shutting the appliance down for a long period.

## 10.4 Shutting the appliance down for a long period

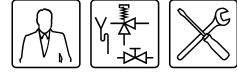
To shut the appliance down for a longer period, you must drain the appliance (6 "Draining").

## 10.5 Disposal

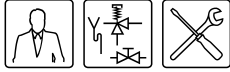
Old end-of-life appliances contain materials that need to be recycled. When disposing of old devices that have reached the end of their service life, you should take account of local legislation relating to waste disposal.

You must therefore never dispose of your old appliance together with regular waste, but should and it into a municipal waste collection depot for electrical and electronic equipment. Ask your dealer/installation engineer for advice if necessary. The old appliance must be stored out of reach of children.









# 11 Troubleshooting

## 11.1 Introduction

This chapter covers the following errors:

- Gas smell;
- Water leakage;
- Explosive ignition;
- Poor flame profile;
- Power anode (optional);
- No hot water;
- Insufficient hot water.

## 11.2 Error conditions

If the water heater goes into an "error" condition, you will be unable to draw hot water.

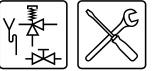
The following pages provide troubleshooting tables for each type of error.

---

### Note

Footnotes referred to from within any table are shown at the bottom of the last page of that table.

---

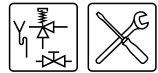


### 11.3 ADMP Troubleshooting table for general errors

**Warning**  
Maintenance may only be performed by a qualified service and maintenance engineer.

#### General faults and failures

Symptom	Cause	Precautions	Comment
<b>Gas smell</b>	Gas leak	<b>Warning</b> Close the main gas valve immediately.	<b>Note</b> Contact your installation engineer or local gas company immediately.
		<b>Warning</b> Do not operate any switches.	
		<b>Warning</b> No naked flames.	
		<b>Warning</b> Ventilate the boiler room.	
<b>Water leakage</b>	Leakage from a water connection (threaded)	Tighten the threaded connection	If the leak persists, consult your installation engineer
	Leakage from another nearby water appliance or pipe segment	Trace the leak	
	Leakage from the appliance's tank	Consult the supplier and/or manufacturer	
	Condensation	Before drawing (too much) tap water, wait until the water in the boiler has reached the set temperature.	
<b>Explosive ignition</b> <b>Poor flame profile</b>	Incorrect supply pressure and/or burner pressure	Set the correct supply pressure and/or burner pressure. (3.10 " <u>Checking the supply pressure and burner pressure</u> ")	If ignition is not improved, consult your installation engineer.
	Contaminated burner	Clean the burner(s) (12.4.2 " <u>Clean the burner(s)</u> ")	
	Contaminated orifice	Clean the orifice(s) (12.4.3 " <u>Clean the orifice(s)</u> ")	
	Inadequate air supply	Improve the air supply by providing better ventilation in the boiler room.	

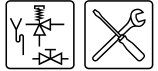


#### 11.4 ADMP Troubleshooting table - no hot water

**Warning**  
Maintenance may only be performed by a qualified service and maintenance engineer.

*No hot water*

Symptom	Cause	Precautions	Comment
<b>Red LED in the on/off switch is off</b>	No supply voltage present	<ol style="list-style-type: none"> <li>1. Check if the isolator is ON.</li> <li>2. Check the voltage at the main switch.</li> <li>3. Check the voltage at the electrical connector block.</li> </ol>	
<b>No ignition (pilot light is LIT)</b>	No supply voltage present	<ol style="list-style-type: none"> <li>1. Check if the isolator is ON.</li> <li>2. Check whether there is power to the isolator The voltage measured must be 230 VAC + 15% -10%</li> </ol>	If the error cannot be rectified, contact your installation engineer
<b>Pilot light is not lit</b>	High-limit thermostat has been activated	<ol style="list-style-type: none"> <li>1. Wait until the water temperature has dropped sufficiently.</li> <li>2. <u>Starting and running</u> the appliance.</li> </ol>	If the error cannot be resolved or is persistent, contact your installation engineer
	Flue gas outlet blocked	<ol style="list-style-type: none"> <li>1. Trace the blockage</li> <li>2. Remove the blockage</li> <li>3. Reset the flue gas thermostat</li> </ol>	
	Pilot light has been blown out	<ol style="list-style-type: none"> <li>1. <u>Starting and running</u> the appliance.</li> </ol>	
	The safety thermostat has cut out	<ol style="list-style-type: none"> <li>1. The safety thermostat has cut out correctly: <ul style="list-style-type: none"> <li>- Check whether the control thermostat is working.</li> <li>- Check whether the high-limit thermostat is working.</li> <li>- Check that the circulation pump (if present) is working</li> </ul> </li> <li>2. The safety thermostat has cut out without apparent reason: <ul style="list-style-type: none"> <li>- Check that the thermostat is not broken.</li> <li>- Check that the thermostat sensor is not broken.</li> </ul> </li> </ol>	If the error cannot be resolved or is persistent, contact your installation engineer
	No gas	<ol style="list-style-type: none"> <li>1. Check that the manual gas valve is open.</li> <li>2. Check that gas control opens (gas control "clicks").</li> <li>3. Check the gas control wiring.</li> </ol>	



## 11.5 ADMP Troubleshooting table - insufficient hot water

**Warning**  
Maintenance may only be performed by a qualified service and maintenance engineer.

### Insufficient hot water

Symptom	Cause	Precautions	Comment
Insufficient hot water	Water temperature setting ( $T_{set}$ ) is too low	Set the control thermostat (7.3 "Control thermostat") to a higher value	
	Hot water supply is used up	<ol style="list-style-type: none"> <li>1. Reduce hot water consumption and give the appliance time to heat up.</li> <li>2. If this error persists, check whether the high-limit thermostat is switching. If this is the case, check that the circulation and/or top to bottom circulation pump are working.</li> </ol>	If the error has not been rectified, and no other cause can be found, isolate the appliance from the mains (10.3 "Isolating the appliance from the mains"), shut off the manual gas valve and alert your installation engineer.



# 12 Performing maintenance

## 12.1 Introduction

### **Caution**

Maintenance may only be carried out by an approved service and maintenance engineer.

At each service, the appliance undergoes maintenance on both the water side and the gas side. The maintenance must be carried out in the following order.

1. Water-side maintenance;
2. Water-side maintenance;
3. Gas-side maintenance;
4. Finalising maintenance.

### **Note**

Before ordering spare parts, it is important to write down the appliance type and model, and the full serial number of the appliance. These details can be found on the rating plate. Only by ordering with this information can you be sure to receive the correct spare parts.

## 12.2 Preparation for maintenance

To test whether all components are still working properly, complete the following steps:

1. Set the ON/OFF switch on the control panel to **position 0**.
2. Set the control thermostat to the highest value (note the original setting) and set the ON/OFF switch back again to **position I**.
3. If there is no heat demand, draw off some water to create a heat demand.
4. Check whether the heating cycle (2.3 "The appliance's heating cycle") runs correctly.
5. Set the control thermostat back to the original setting and set the ON/OFF switch back again to **position I**.
6. Check the supply and burner pressure (3.10 "Checking the supply pressure and burner pressure"), and adjust them if necessary.
7. Check that all components of the chimney flue system are properly attached.
8. Test the operation of the overflow valve of the protected cold supply set-up. The water should spurt out.
9. Test the overflow operation of the T&P valve. The water should spurt out.
10. Check the drainpipes from the discharge points of all valves and remove any scale deposits that may be present.
11. Drain the appliance (6 "Draining").



## 12.3 Water-side maintenance

### 12.3.1 Introduction

The following steps must be carried out on the water side:

1. [Checking the anodes](#).
2. [Descaling and cleaning the tank](#).

### 12.3.2 Checking the anodes

Timely replacement of the anodes extends the service life of the appliance. The appliance's anodes must be replaced as soon as they are 60% or more consumed (take this into consideration when determining the maintenance frequency).



#### Warning

The draught diverter and the cover may be hot.

1. Remove the protective cover from the control column by unscrewing the 4 screws in the cover.
2. Detach the wiring for the flue gas thermostat from the connector block and remove the cable from the strain relief.
3. Remove the cable clamps holding the flue gas thermostat cable.
4. Disconnect the draught diverter from the flue gas discharge.
5. Undo the screws on the draught diverter.
6. Remove the draught diverter from the appliance.
7. Undo the screws of the lid in the top side of the appliance.
8. Remove the lid from the appliance.
9. Remove the sealing ring from the appliance.
10. Loosen the anodes using suitable tools.
11. Check the anodes, and replace them if necessary.
12. Now also check the flue baffles ([12.4.4 "Checking the flue baffles"](#)). If necessary, replace them.
13. Place a new sealing ring on the rim of the tank and re-fit the lid.
14. Fit the draught diverter ([3.9.2 "Fitting the draught diverter"](#)).
15. Feed the cable of the flue gas thermostat through the strain relief and attach the wiring to the connector block ([14.2 "Electrical diagram"](#)).
16. Refit the cable clamps to the appliance and draught diverter.
17. Re-fit the protective cover.

### 12.3.3 Descaling and cleaning the tank

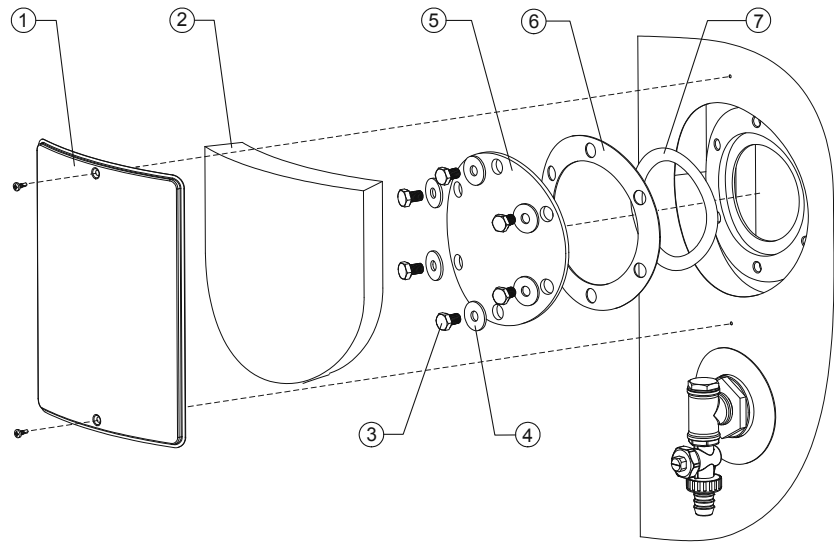
Scale and lime buildup prevent effective conduction of the heat to the water. Periodic cleaning and descaling prevents buildup of these deposits. This increases the service life of the appliance, and also improves the heating process.

Take the rate of scale formation into account when deciding on maintenance frequency. Scale formation depends on the local water composition, the water consumption and the water temperature setting. A water temperature setting of maximum 60 °C is recommended for prevention of excessive scale buildup.

To ensure the perfectly watertight sealing of a cleaning opening, the gasket (6), O-ring (7), sealing rings (4), bolts (3) and possibly the lid (5) should be replaced with new components after opening (see the figure). A special set is obtainable from the supplier/manufacturer.

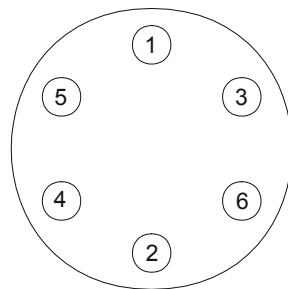


To simplify the task of descaling and cleaning the tank, the appliance is equipped with two cleaning openings.



IMD-0235 R2

1. Remove the cover plate (1) on the outer jacket (see the figure).
2. Carefully remove the insulation layer (2) and set it to one side. This will be needed again later.
3. Undo the bolts.
4. Remove the lid, the gasket and the O-ring.
5. Inspect the tank and remove the loose scale deposits and contamination.
6. If the scale cannot be removed by hand, descale the appliance with a descaling agent. Contact the supplier/manufacturer for advice on what descaling agent to use.



IMD-0282 R1

7. Close the cleaning opening. To avoid damage to the tank, tighten the bolts that fasten the lid with a torque no greater than 50 Nm. Use suitable tools for this. For the best possible watertight seal of the cleaning opening, the bolts in the lid should be torqued down in the sequence shown in the figure.



## 12.4 Gas-side maintenance

### 12.4.1 Introduction

The following steps must be carried out on the gas side:

1. Clean the burner(s).
2. Clean the orifice(s).
3. Checking the flue baffles.

### 12.4.2 Clean the burner(s)

1. Detach the burner(s)
2. Remove all contamination present on the burner(s).
3. Fit the burner(s)

### 12.4.3 Clean the orifice(s)

1. Detach the orifice(s)
2. Remove all contamination present in the orifice(s).
3. Fit the orifice(s)

### 12.4.4 Checking the flue baffles



---

**Warning**

The flue baffles can be hot.

---

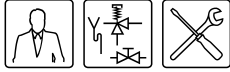
1. Remove the flue baffles from the appliance.
2. Check the flue baffles for the presence of corrosion, removing this if necessary.
3. Check the flue baffles for wear, and replace the flue baffles if necessary.
4. Place a new sealing ring on the rim of the tank and re-fit the lid.
5. Fit the draught diverter ([3.9.2 "Fitting the draught diverter"](#)).
6. Feed the cable of the flue gas thermostat through the strain relief and attach the wiring to the connector block ([14.2 "Electrical diagram"](#)).
7. Refit the cable clamps to the appliance and draught diverter.
8. Re-fit the protective cover.

## 12.5 Finalising maintenance

To finalise the maintenance, carry out the following steps:

1. Fill the appliance ([5 "Filling"](#)).
2. Start the appliance ([9 "Starting and running"](#)).





# 13 Warranty (certificate)

To register your warranty, you should complete and return the enclosed warranty card after which a warranty certificate will be sent to you. This certificate gives the owner of a appliance supplied by A.O. Smith Water Products Company B.V. of Veldhoven, The Netherlands (hereinafter "A.O. Smith") the right to the warranty set out below, defining the commitments of A.O. Smith to the owner.

## 13.1 General warranty

If within one year of the original installation date of a water heater supplied by A.O. Smith, following verification, and at the sole discretion of A.O. Smith, a section or part (with exclusion of the tank) proves to be defective or fails to function correctly due to manufacturing and/or material defects, then A.O. Smith shall repair or replace this section or part.

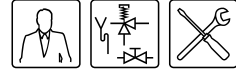
## 13.2 Tank warranty

If within 3 years of the original installation date of a water heater supplied by A.O. Smith, following inspection, and at the sole discretion of A.O. Smith, the glass-lined steel tank proves to be leaking due to rust or corrosion occurring on the water side, then A.O. Smith shall offer to replace the defective water heater with an entirely new water heater of equivalent size and quality. The warranty period given on the replacement water heater shall be equal to the remaining warranty period of the original water heater that was supplied. Notwithstanding that stated earlier in this article, in the event that unfiltered or softened water is used, or allowed to stand in the water heater, the warranty shall be reduced to one year from the original installation date.

## 13.3 Conditions for Installation and use

The warranty set out in article 1 and 2 will apply solely under the following conditions:

- a. The water heater is installed under strict adherence to A.O. Smith installation instructions for the specific model, and the relevant government and local authority installation and building codes, rules and regulations in force at the time of installation.
- b. The water heater remains installed at the original site of installation.
- c. The appliance is exclusively used with drinking water, which at all times can freely circulate (a separately installed heat exchanger is mandatory for heating salt water or corrosive water).
- d. The tank is safeguarded against harmful scaling and lime buildup by means of periodic maintenance.
- e. The water temperatures in the heater do not exceed the maximum setting of the thermostats, which form a part of the water heater.
- f. The water pressure and/or heat load do not exceed the maximum values stated on the water heater rating plate.
- g. The water heater is installed in a non-corrosive atmosphere or environment.
- h. The water heater is connected to a protected cold supply arrangement, which is: approved by the relevant authority; with sufficient capacity for this purpose; supplying a pressure no greater than the working pressure stated on the water heater; and where applicable by a likewise approved temperature and pressure relief valve, fitted in accordance with installation instructions of A.O. Smith applying to the specific model of water heater, and further in compliance with the government and local authority installation and building codes, rules and regulations.
- i. The appliance is at all times fitted with cathodic protection. If sacrificial anodes are used for this, these must be replaced and renewed when, and as soon as, they are 60% or more consumed. When electric anodes are used, it is important to ensure that they continue to work properly.



#### 13.4 Exclusions

The warranty set out in articles 1 and 2 will not apply in the event of:

- a. damage to the water heater caused by an external factor;
- b. misuse, neglect (including frost damage), modification, incorrect and/or unauthorised use of the water heater and any attempt to repair leaks;
- c. contaminants or other substances having been allowed to enter the tank;
- d. the conductivity of the water being less than 125  $\mu\text{S}/\text{cm}$  and/or the hardness (alkaline-earth ions) of the water being less than 1.00 mmol/litre ([3.3.3 "Water composition"](#));
- e. unfiltered, recirculated water flowing through or being stored in the water heater;
- f. any attempts at repair to a defective water heater other than by an approved service engineer.

#### 13.5 Scope of the warranty

The obligations of A.O. Smith pursuant to the specified warranty do not extend beyond free delivery from the Veldhoven warehouse of the replacement sections, parts or water heater respectively. Shipping, labour, installation and any other costs associated with the replacement will not be accepted by A.O. Smith.

#### 13.6 Claims

A claim on grounds of the specified warranty must be submitted to the dealer from whom the water heater was purchased, or to another authorised dealer for A.O. Smith Water Products Company products. Inspection of the water heater as referred to in articles 1 and 2 shall take place in one of the laboratories of A.O. Smith Water Products Company.

#### 13.7 Obligations of A.O. Smith

A.O. Smith grants no other warranty or guarantee over its water heaters nor the (sections or parts of) water heaters supplied for replacement, other than the warranty expressly set out in this Certificate.

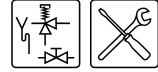
Under the terms of the supplied warranty, A.O. Smith is not liable for damage to persons or property caused by (sections or parts, or the glass-lined steel tank of) a (replacement) water heater that it has supplied.



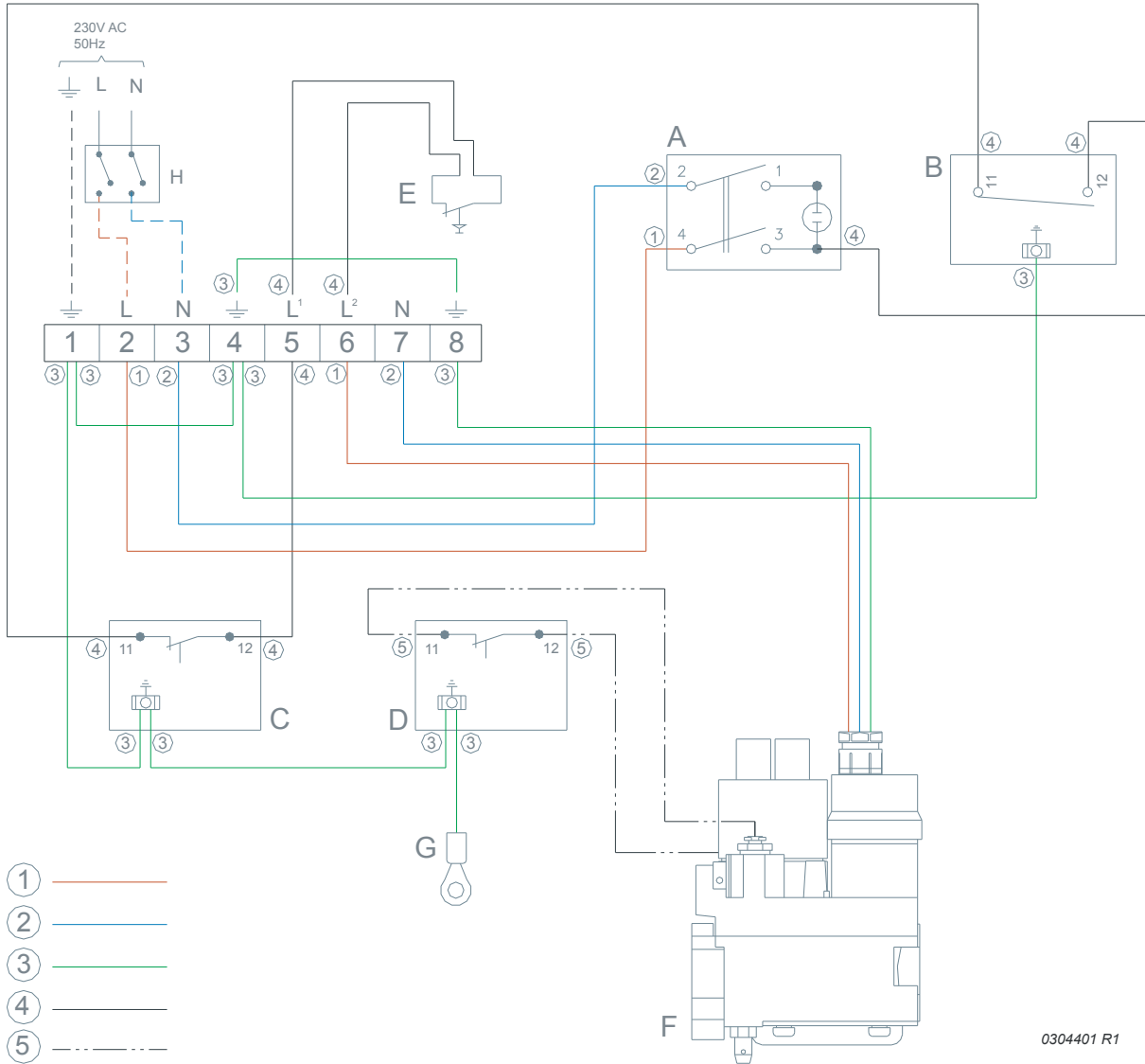
# 14 Appendices

## 14.1 Introduction

This section gives the electrical diagram.

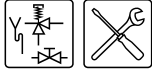


### 14.2 Electrical diagram



0304401 R1

1 = brown, 2 = blue, 3 = yellow/green, 4 = black, 5 = white (flat cable)

**TERMINAL STRIP CONNECTIONS:**

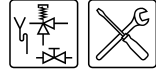
⏚	Earth
N	Neutral
L	Phase input to control isolator
L <sup>1</sup>	Phase input of thermal reflux safeguard
L <sup>2</sup>	Phase input of main gas valve

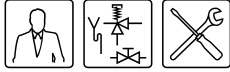
**COMPONENTS:**

A	ON/OFF switch
B	Control thermostat
C	High-limit thermostat
D	Safety thermostat
E	Thermal reflux safeguard
F	Gas control
G	Eye terminal for earthing to the jacket

**OPTIONAL COMPONENTS:**

H	Control isolator
---	------------------





# Index

## A

ambient temperature 16

## B

burner pressure 30

## C

claims 58

connect

circulation piping 24, 25

cold water side 23, 24

electrical 26, 27

gas 25

hot water side 23

shut pipe 23, 24

connecting circulation pipe 24, 25

connecting cold water side 23, 24

connecting hot water side 23

control thermostat 41

conversion to a different gas category 33

## D

disposal 47

document contents 10

draining 39

## E

electrical connection 26

environmental conditions 15

## F

filling 37

flame probe 14

forms of notation 9

## G

gas category, conversion to different 33

gas connection 25

general specifications 3

## H

heating cycle 12

humidity 16

## I

installation diagram 22

installation engineer 8, 10

isolator 27

## L

liability 3

## M

mains power 27

maintenance

burner 56

finalising 56

gas-side 56

orifice 56

perform 53

preparation 53

water-side 54

## O

on/off switch 41

## P

packaging 15

protection 13

## S

scale 54

service check 9

service engineer 8

shunt pump 23, 24

specifications 18

supply pressure 30

symbol

installation engineer 8

service engineer 8

user 8

## T

target groups 8

to shut down

electrically isolating 47

longer period 47

trademarks 3

## U

user 8

## W

warranty 57

exclusions 58

general 57

installation and conditions of use 57

scope 58

water

composition 16

