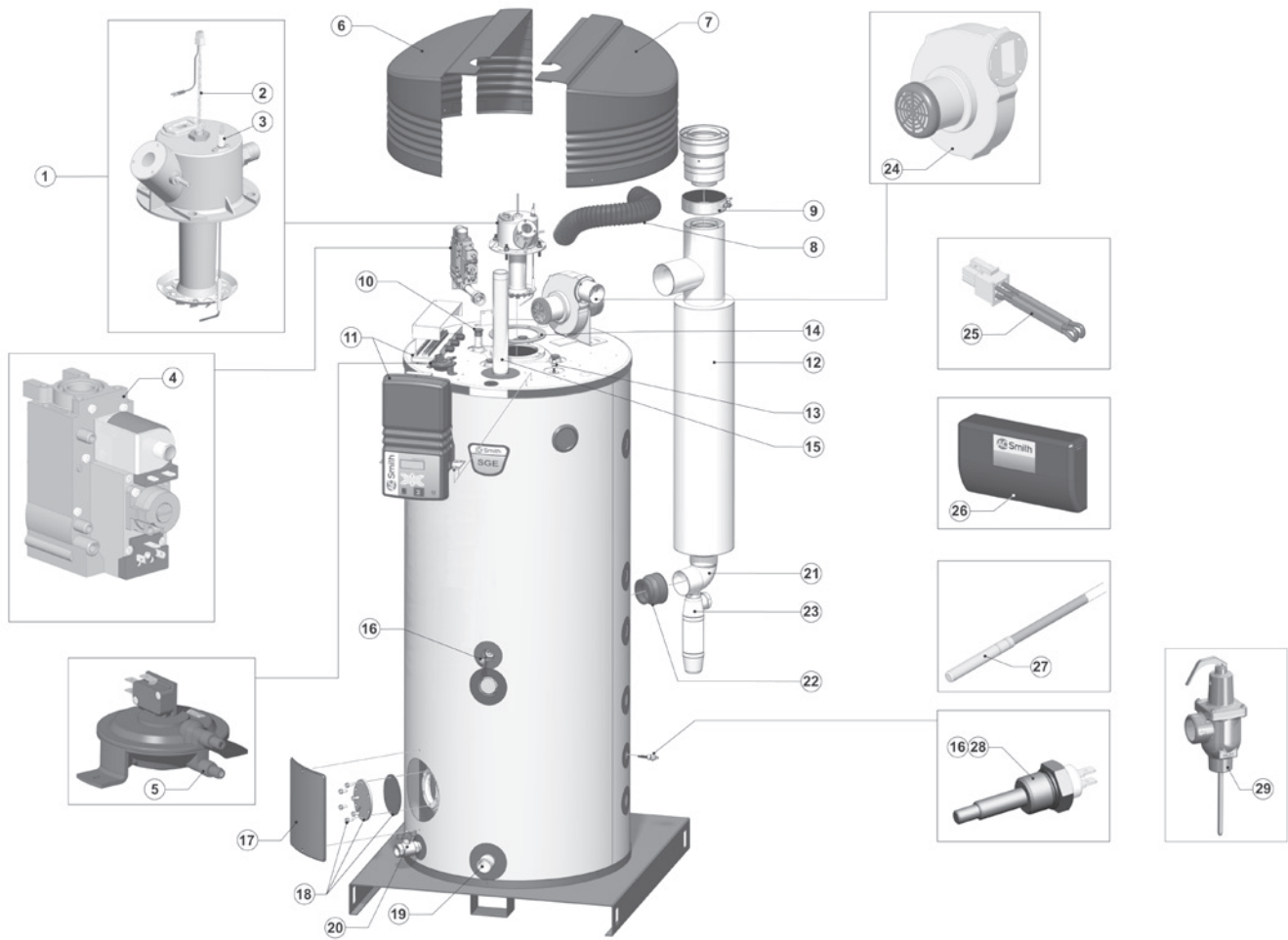


Exploded view SGE before 22-10-'09



EVD-0045

# SGE before 22-10-'09

## SGE parts

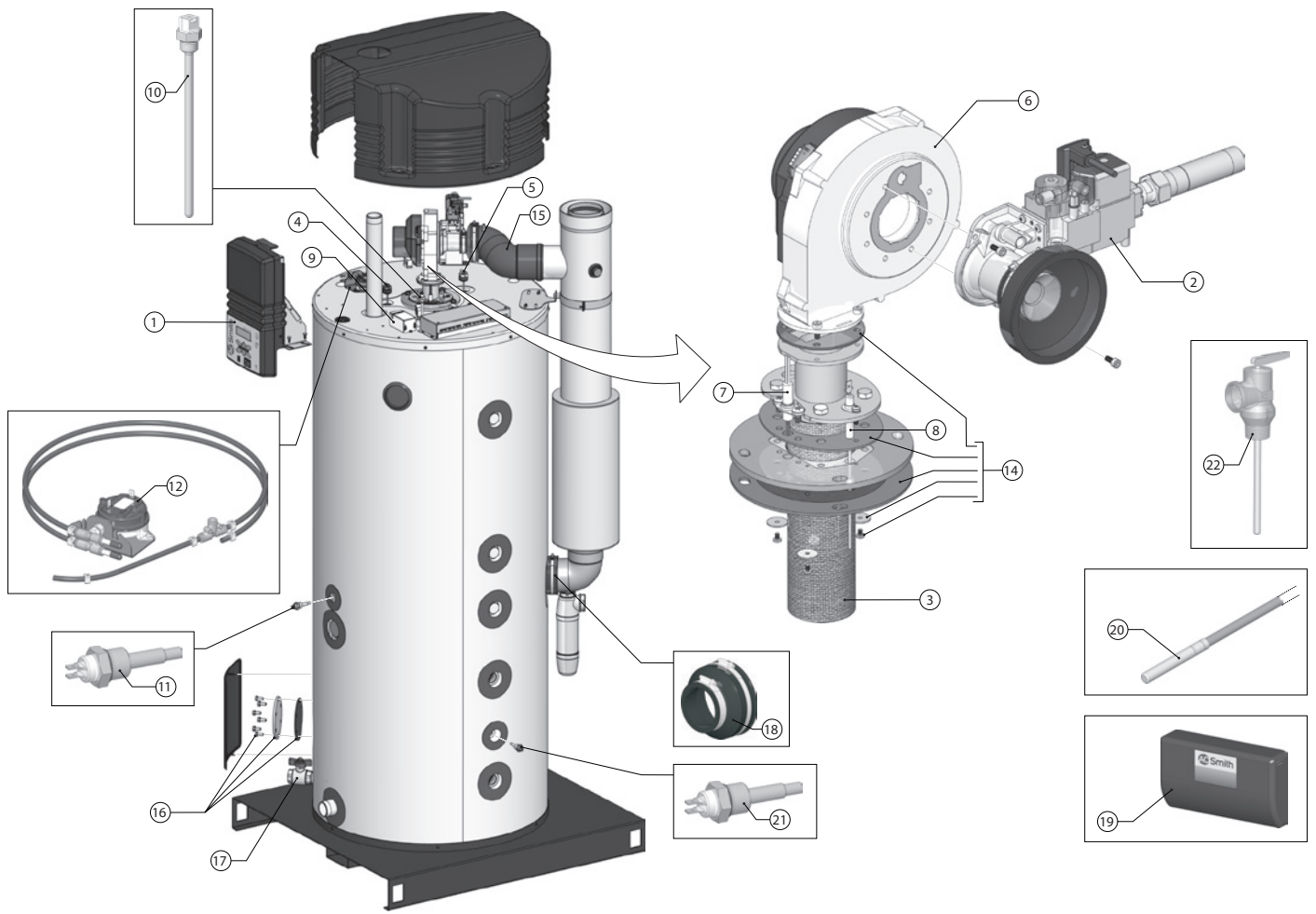


nr	description	date	40	60
2	Hot surface igniter		0304079(S)	0304079(S)
3	Flame probe		0192478(S)	0192478(S)
4	Gas control		0300808(S)	0300808(S)
5	Differential air pressure switch		0309054(S)	0308872(S)
8	Air supply hose		0304035(S)	0304035(S)
9	Clamping strip Ø 130 mm		0305027(S)	0305027(S)
10	Anode		0183463039(S) (4x)	0183463039(S) (4x)
	Flexible anode		0304728(S) (4x)	0304728(S) (4x)
11	Appliance control service kit		0308882(S)	0308882(S)
12	Transition piece damper		0304987(S)	0304987(S)
13	Temperature sensor T2 (top tank)		0304469(S)	0304469(S)
14	Gasket burner/tank		0192331(S)	0192331(S)
15	Hot water outlet nipple		0304017(S)	0304017(S)
16	Temperature sensor T1 (bottom tank)		0308149(S)	0308149(S)
17	Cover plate cleaning opening		0039137002/24(S)	0039137002/24(S)
18	Cleaning opening set		0305082(S)	0305082(S)
19	Cold water inlet nipple		0070615(S)	0070615(S)
20	Drain valve		0308997(S)	0308997(S)
21	Bend		0304986(S)	0304986(S)
22	Adapting socket		0192636(S)	0192636(S)
23	Siphon		0307725(S)	0307725(S)
24	Fan kit		0304104(S)	0304104(S)
25	Flue gas sensor		0304301(S)	0304301(S)
26	Solar system control service kit		0308874(S)	0308874(S)
27	Temperature sensor S1 (in solar collector)		0308904(S)	0308904(S)
28	Temperature sensor S2 (in solar heat exchanger)		0308149(S)	0308149(S)
29	T&P Valve (1"/150 PSI)		0099383005(S)	0099383005(S)
	Service Kit Q/T Sensor		0313621(S)	0313621(S)

## SGE accessories

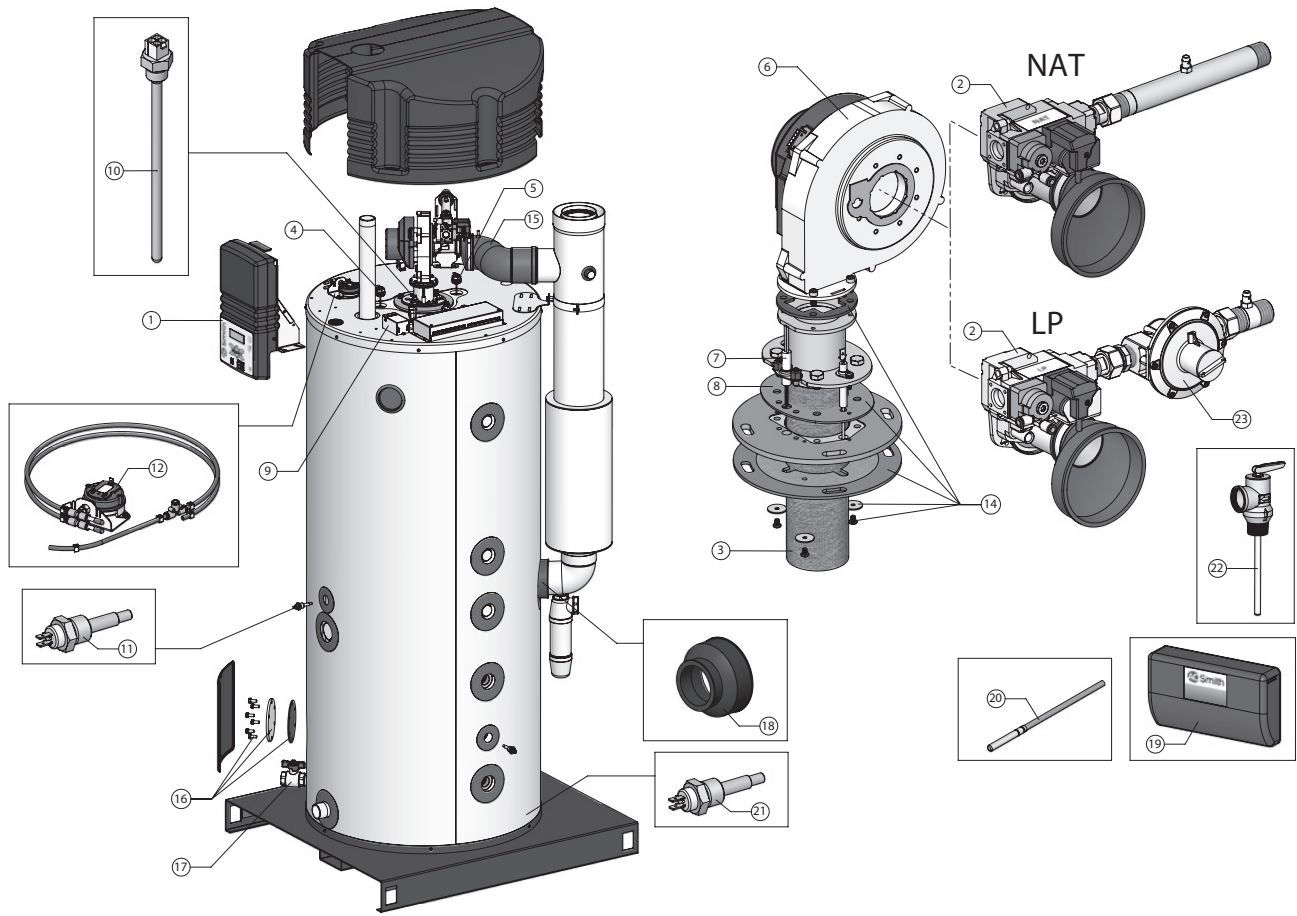
description	date	40	60
Gas cock ¾" kit		0300719(S)	0300719(S)
Inlet security group G1"		0070066003(S)	0070066003(S)
Reducing Nipple Rp1½"x 22 mm press		0309411(S)	0309411(S)
Reducing Nipple Rp1½"x 28 mm press		0309412(S)	0309412(S)
Reducing Nipple Rp1½"x 35 mm press		n.a.	n.a.
Dummy (sensor solarkit)		0309152(S)	0309152(S)
Isolating transformer		0306054(S)	0306054(S)
T&P valve NO WRAS		0099383005(S)	0099383005(S)
Power anode kit	before 01-09-'09	0309217(S)	0309217(S)

Exploded view SGE from 22-10-'09 until 3-2-'13



EVD-0056 R0

Exploded view SGE after 4-2-'13



EVD-0056 R1

# SGE after 22-10-'09

## SGE parts



Nr	description	date	40	60
1	Control	before 28-07-'13	n.a.	n.a.
		after 29-07-'13	0311159(S)	0311159(S)
2	Gas control (NAT)	before 03-02-'13	0310186(S)	0310186(S)
		after 04-02-'13	0310155(S)	0310155(S)
	Gas control (LP)	before 03-02-'13	0310188(S)	0310188(S)
		after 04-02-'13	0310157(S)	0310157(S)
3	Burner		0309297(S)	0309297(S)
4	Power anode		0197709(S)	0197709(S)
5	Power anode		0197710(S)	0197710(S)
6	Fan		0309159(S)	0309159(S)
7	Glow igniter		0309232(S)	0309232(S)
8	Flame probe		0310075(S)	0310075(S)
9	Potentiostat		0306160(S)	0306160(S)
10	Temperature sensor (top of tank)		0311295(S)	0311295(S)
11	Temperature sensor (bottom of tank)		0308149(S)	0308149(S)
12	Differential air pressure switch		0309169(S)	0309169(S)
13	Harness		0309136(S)	0309136(S)
14	Gaskets		0309608(S)	0309608(S)
15	Air inlet		0309148(S)	0309148(S)
16	Cleaning opening		0305082(S)	0305082(S)
17	Drain valve		0026273004(S)	0026273004(S)
18	Plastic adapting socket (exit heat exchanger)		0192636(S)	0192636(S)
19	Solar system control	before 26-07-'15	0311055(S)	0311055(S)
		after 27-07-'15	0311617(S)	0311617(S)
20	Temperature sensor (collector)		0308904(S)	0308904(S)
21	Temperature sensor (small heat exchanger)		0308149(S)	0308149(S)
22	T&P Valve (1"/150 PSI)		0099383005(S)	0099383005(S)
23	Reducing valve	after 04-02-'13	0310180(S)	0310180(S)
24	Cover Potentiostat	after 04-05-'15	0311486(S)	0311486(S)
-	Service Kit Q/T Sensor		0313621(S)	0313621(S)
-	Cable gas valve		0309336(S)	0309336(S)

## SGE accessories

description	date	40	60
Conversion set to LP-gas from NAT to LP and LP to LP	before 03-02-'13	0309540(S)	0309540(S)
	after 04-02-'13	0310936(S)	0310936(S)
Conversion set to NAT-gas from LP to NAT	before 03-02-'13	0309541(S)	0309541(S)
	after 04-02-'13	0312594(S)	0312594(S)
Gas Cock		0300719(S)	0300719(S)
Inlet security group G1		0070066003(S)	0070066003(S)
Inlet security group DN40		0309927(S)	0309927(S)
Reducing Nipple (for T&P)		0306713(S)	0306713(S)
Reducing Nipple Rp1½"x 22 mm press		0309411(S)	0309411(S)
Reducing Nipple Rp1½"x 28 mm press		0309412(S)	0309412(S)
Reducing Nipple Rp1½"x 35 mm press		n.a.	n.a.
Combined flow & temperature sensor		0309285(S)	0309285(S)
Dummy (sensor solarkit)		0309152(S)	0309152(S)
Isolation transformer		0309887(S)	0309887(S)
BMS interface		0310013(S)	0310013(S)
Remote display		0309999(S)	0309999(S)

Parts that are marked yellow  
are parts that are used for maintenance.